

SCD-1/777ES

SONY[®]

*US Model
Canadian Model
AEP Model*

SERVICE MANUAL

For Technical service

TABLE OF CONTENTS

3. SERVICING NOTES	3	7-9. Schematic Diagram – MAIN Board (2/7) –	25
4. DISASSEMBLY-2	5	7-10. Schematic Diagram – MAIN Board (3/7) –	26
5. TEST MODE	10	7-11. Schematic Diagram – MAIN Board (4/7) –	27
6. ELECTRICAL ADJUSTMENTS	12	7-12. Schematic Diagram – MAIN Board (5/7) –	28
7. DIAGRAMS		7-13. Schematic Diagram – MAIN Board (6/7) –	29
7-1. Notes for Printed Wiring Board and Schematic Diagram	17	7-14. Schematic Diagram – MAIN Board (7/7) –	30
7-2. Printed Wiring Boards – RF/SLD-FG/SLD-MOT Boards –	18	7-15. Printed Wiring Board – AUDIO Board –	31
7-3. Schematic Diagram – RF/SLD-FG/SLD-MOT Boards –	19	7-16. Schematic Diagram – AUDIO Board (1/2) –	32
7-4. Printed Wiring Boards – LOAD-CN/LOAD-MOT/ LOAD-SW/STB Boards –	20	7-17. Schematic Diagram – AUDIO Board (2/2) –	33
7-5. Schematic Diagram – LOAD-CN/LOAD-MOT/ LOAD-SW/STB Boards –	21	7-18. Printed Wiring Boards – BAL(SCD-1)/COAX/ OPT/PIN/SW Boards –	34
7-6. Printed Wiring Board – MAIN Board (component side) –	22	7-19. Schematic Diagram – BAL(SCD-1)/COAX/ OPT/PIN/SW Boards –	35
7-7. Printed Wiring Board – MAIN Board (conductor side) –	23	7-20. Printed Wiring Boards – DISPLAY/SW-L/ SW-R Boards –	36
7-8. Schematic Diagram – MAIN Board (1/7) –	24	7-21. Schematic Diagram – DISPLAY/SW-L/ SW-R Boards –	37
		7-22. Printed Wiring Boards – AC/POWER Boards –	38
		7-23. Schematic Diagram – AC/POWER Boards –	39
		7-24. IC Pin Function Description	43
		8. EXPLODED VIEWS	50
		9. ELECTRICAL PARTS LIST	59

CAUTION

Use of controls or adjustments or performance of procedures other than those specified herein may result in hazardous radiation exposure.

The following caution label is located inside of the unit.



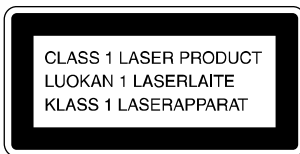
For the customers in Canada

CAUTION

TO PREVENT ELECTRIC SHOCK, DO NOT USE THIS POLARIZED AC PLUG WITH AN EXTENSION CORD, RECEPTACLE OR OTHER OUTLET UNLESS THE BLADES CAN BE FULLY INSERTED TO PREVENT BLADE EXPOSURE.

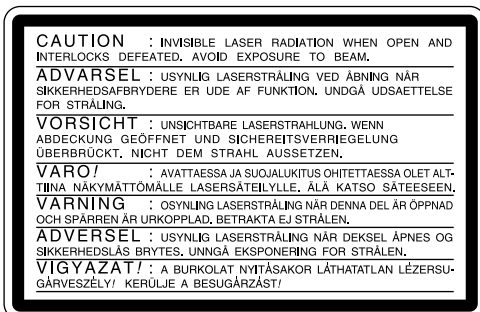
For the customers in Europe

This appliance is classified as a CLASS 1 LASER product.
The CLASS 1 LASER PRODUCT MARKING is located on the rear exterior.



Laser component in this product is capable of emitting radiation exceeding the limit for Class 1.

The following caution label is located inside the unit.



SAFETY-RELATED COMPONENT WARNING!!

COMPONENTS IDENTIFIED BY MARK \triangle OR DOTTED LINE WITH MARK \triangle ON THE SCHEMATIC DIAGRAMS AND IN THE PARTS LIST ARE CRITICAL TO SAFE OPERATION. REPLACE THESE COMPONENTS WITH SONY PARTS WHOSE PART NUMBERS APPEAR AS SHOWN IN THIS MANUAL OR IN SUPPLEMENTS PUBLISHED BY SONY.

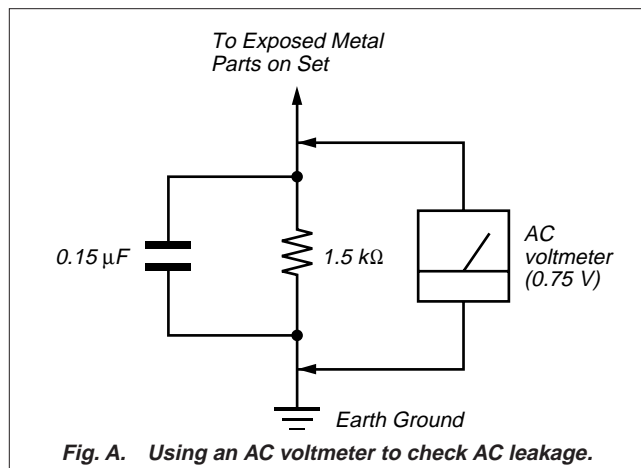
SAFETY CHECK-OUT

After correcting the original service problem, perform the following safety check before releasing the set to the customer: Check the antenna terminals, metal trim, "metallized" knobs, screws, and all other exposed metal parts for AC leakage. Check leakage as described below.

LEAKAGE TEST

The AC leakage from any exposed metal part to earth ground and from all exposed metal parts to any exposed metal part having a return to chassis, must not exceed 0.5 mA (500 microamperes.). Leakage current can be measured by any one of three methods.

1. A commercial leakage tester, such as the Simpson 229 or RCA WT-540A. Follow the manufacturers' instructions to use these instruments.
2. A battery-operated AC milliammeter. The Data Precision 245 digital multimeter is suitable for this job.
3. Measuring the voltage drop across a resistor by means of a VOM or battery-operated AC voltmeter. The "limit" indication is 0.75 V, so analog meters must have an accurate low-voltage scale. The Simpson 250 and Sanwa SH-63Trd are examples of a passive VOM that is suitable. Nearly all battery operated digital multimeters that have a 2 V AC range are suitable. (See Fig. A)



Notes on chip component replacement

- Never reuse a disconnected chip component.
- Notice that the minus side of a tantalum capacitor may be damaged by heat.

Flexible Circuit Board Repairing

- Keep the temperature of the soldering iron around 270 °C during repairing.
- Do not touch the soldering iron on the same conductor of the circuit board (within 3 times).
- Be careful not to apply force on the conductor when soldering or unsoldering.

ATTENTION AU COMPOSANT AYANT RAPPORT À LA SÉCURITÉ!

LES COMPOSANTS IDENTIFIÉS PAR UNE MARQUE \triangle SUR LES DIAGRAMMES SCHÉMATIQUES ET LA LISTE DES PIÈCES SONT CRITIQUES POUR LA SÉCURITÉ DE FONCTIONNEMENT. NE REMPLACER CES COMPOSANTS QUE PAR DES PIÈCES SONY DONT LES NUMÉROS SONT DONNÉS DANS CE MANUEL OU DANS LES SUPPLÉMENTS PUBLIÉS PAR SONY.

SECTION 3 SERVICING NOTES

NOTES ON HANDLING THE OPTICAL PICK-UP BLOCK OR BASE UNIT

The laser diode in the optical pick-up block may suffer electrostatic break-down because of the potential difference generated by the charged electrostatic load, etc. on clothing and the human body.

During repair, pay attention to electrostatic break-down and also use the procedure in the printed matter which is included in the repair parts.

The flexible board is easily damaged and should be handled with care.

NOTES ON LASER DIODE EMISSION CHECK

The laser beam on this model is concentrated so as to be focused on the disc reflective surface by the objective lens in the optical pick-up block. Therefore, when checking the laser diode emission, observe from more than 30 cm away from the objective lens.

MODEL IDENTIFICATION

– Back Panel –

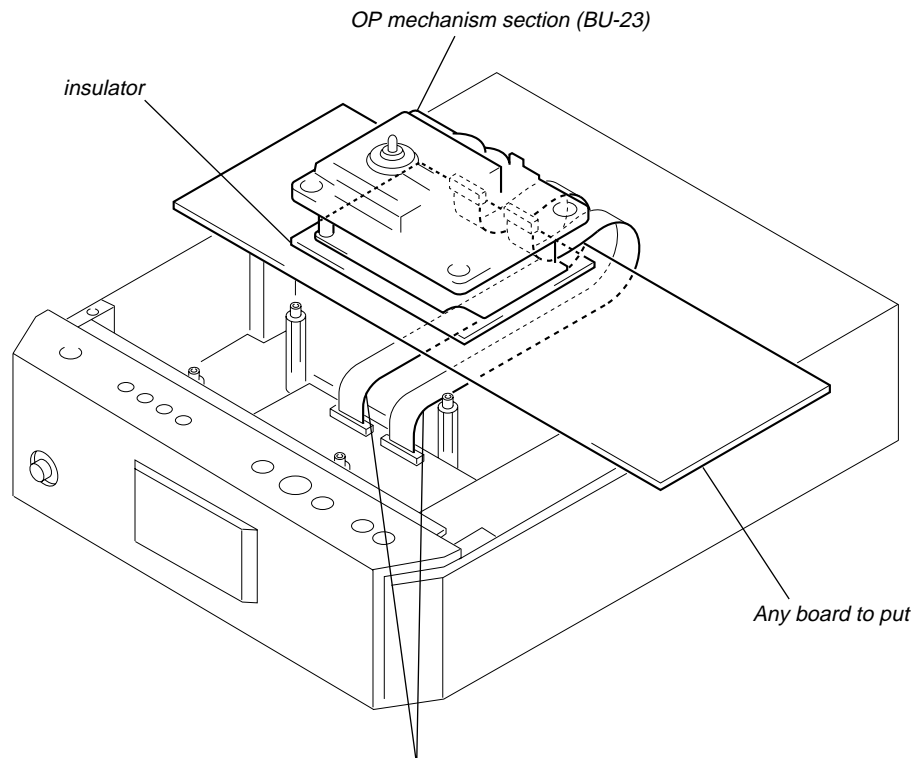


Part No.

Model	Part No.
SCD-1: US, Canadian	4-215-784-1□
SCD-1: AEP	4-215-784-2□
SCD-777ES: AEP	4-221-854-0□
SCD-777ES: US, Canadian	4-221-854-1□

SERVICE POSITION

In checking the BU section, prepare two new jigs (extension cable J-2501-164-A: 1.00 mm 26 cores).



connect two jigs (extension cable J-2501-164-A) to the RF board (CN001, 002) and Main board (CN501, 502).

CHECKING METHOD OF MICROCOMPUTER ROM VERSION

1. Set the CD1/CD2 switch on the remote commander to CD1.
2. With the power turned on, press the **CHECK** button on the remote commander while pressing the **TEXT** button on the set.
3. 15-digit numeric value will be displayed, and the top 4 digits (left side) of the numeric value imply the microcomputer ROM version.
Example: If “200006100FFFF3C” is displayed, the ROM version is 2.000.
4. To cancel the ROM version check mode, press the **CHECK** button on the remote commander while pressing the **TEXT** button on the set.

DISPLAY OF TOC ERROR

Display	Contents
TOC ERROR ****	Illegal SACD disc (pirate edition)
TOC ERROR *	Not SACD (DVD disc etc.)

REPLACING OPTICAL PICK-UP

Handling

- 1) A red laser diode for Super Audio CD Player requires more attention to static electricity than general infrared laser diodes for CD.
Because its durability to static electricity is far weaker than that of infrared laser diodes, always use an earth band when handling the optical pick-up block as service parts.
- 2) As for the flexible board KHS-180A (RP) packed as service parts, the short lands have been soldered to protect from static electricity. Accordingly, remove solders when replacing optical pick-up. (See Fig. 1)

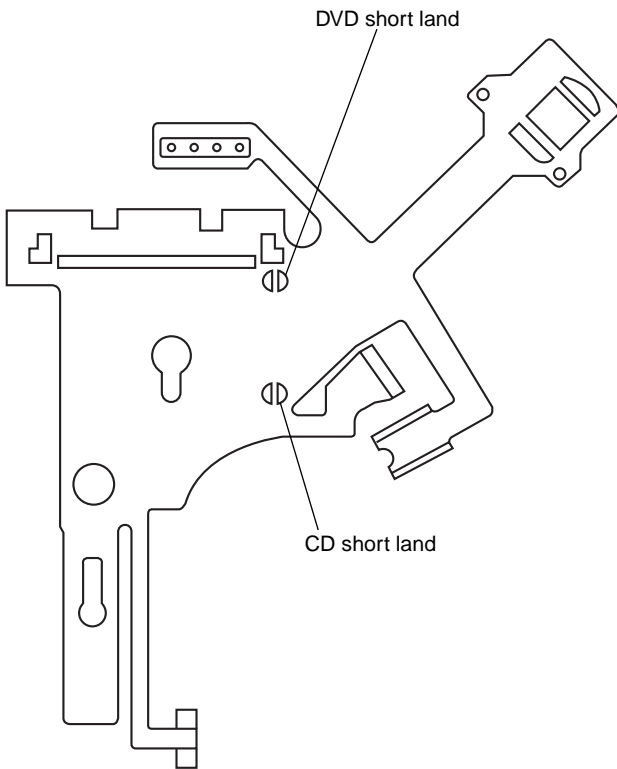
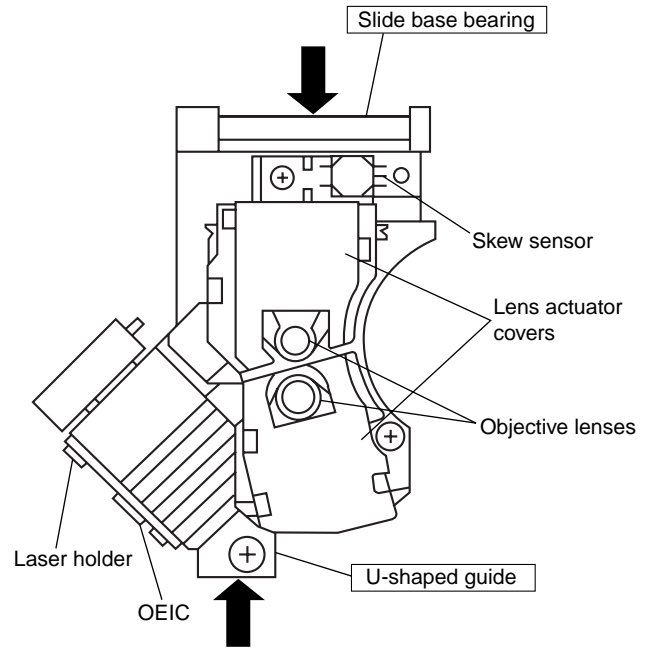


Fig. 1 Flexible board

- 3) In handling the KHS-180A (RP), do not touch inhibited parts shown in Fig. 2, but grip the slide base bearing and U-shaped guide.



- Touch inhibited parts*
- Objective lens
 - Skew sensor
 - Laser holder
 - Laser coupler
 - Flexible board
 - OEIC
 - Lens actuator covers

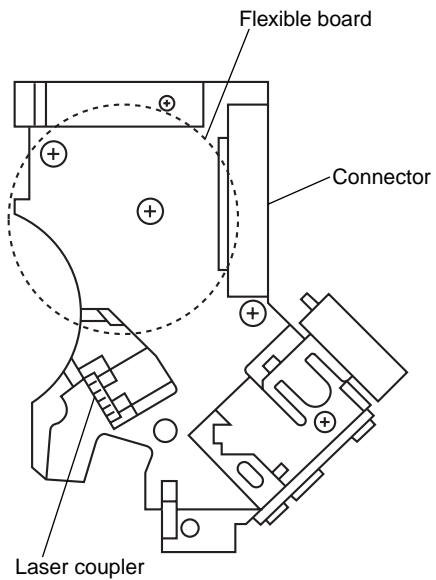
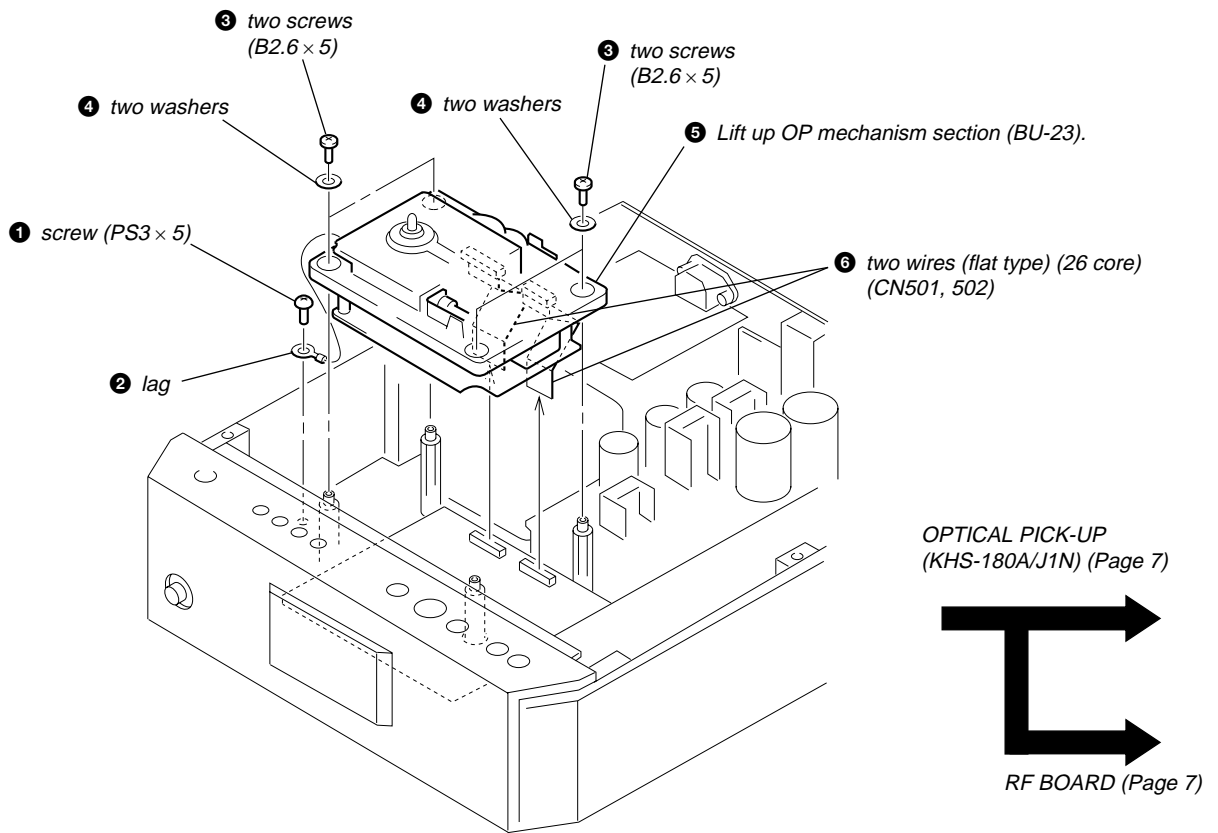


Fig. 2 KHS-180A (RP)

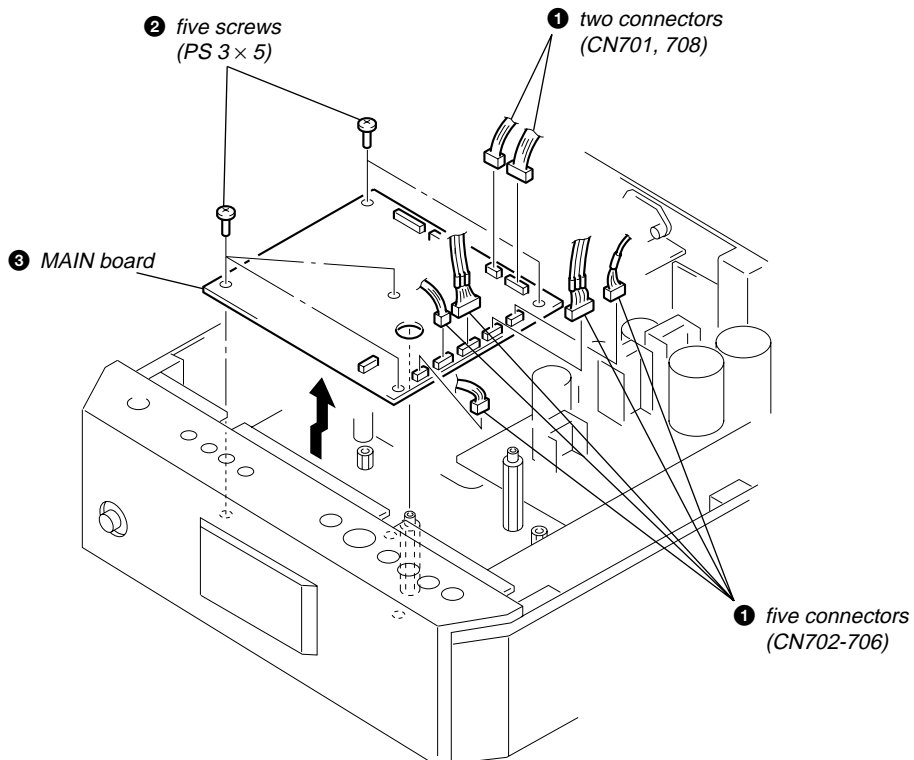
SECTION 4 DISASSEMBLY-2

Note: Follow the disassembly procedure in the numerical order given.

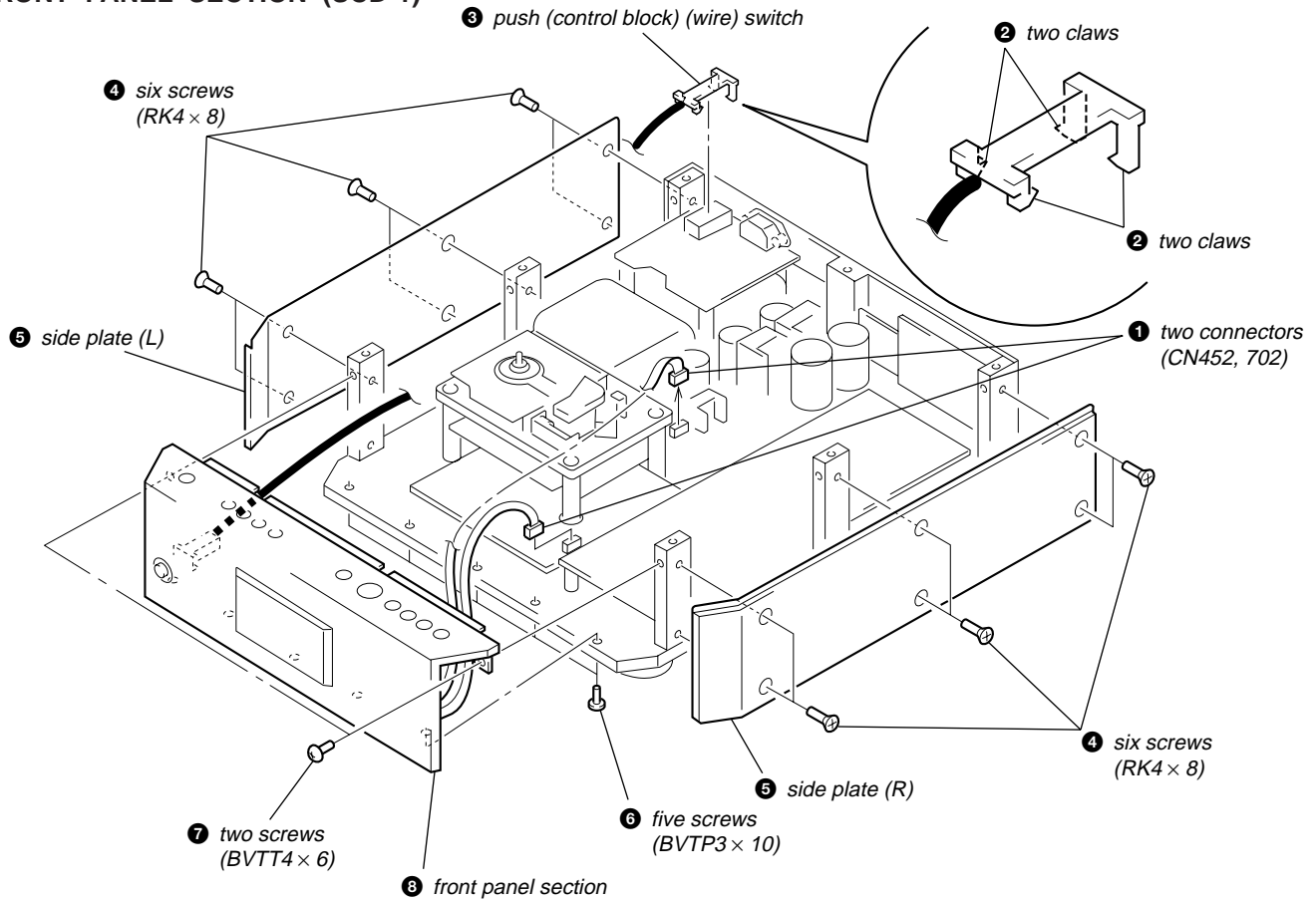
OP MECHANISM SECTION (BU-23)



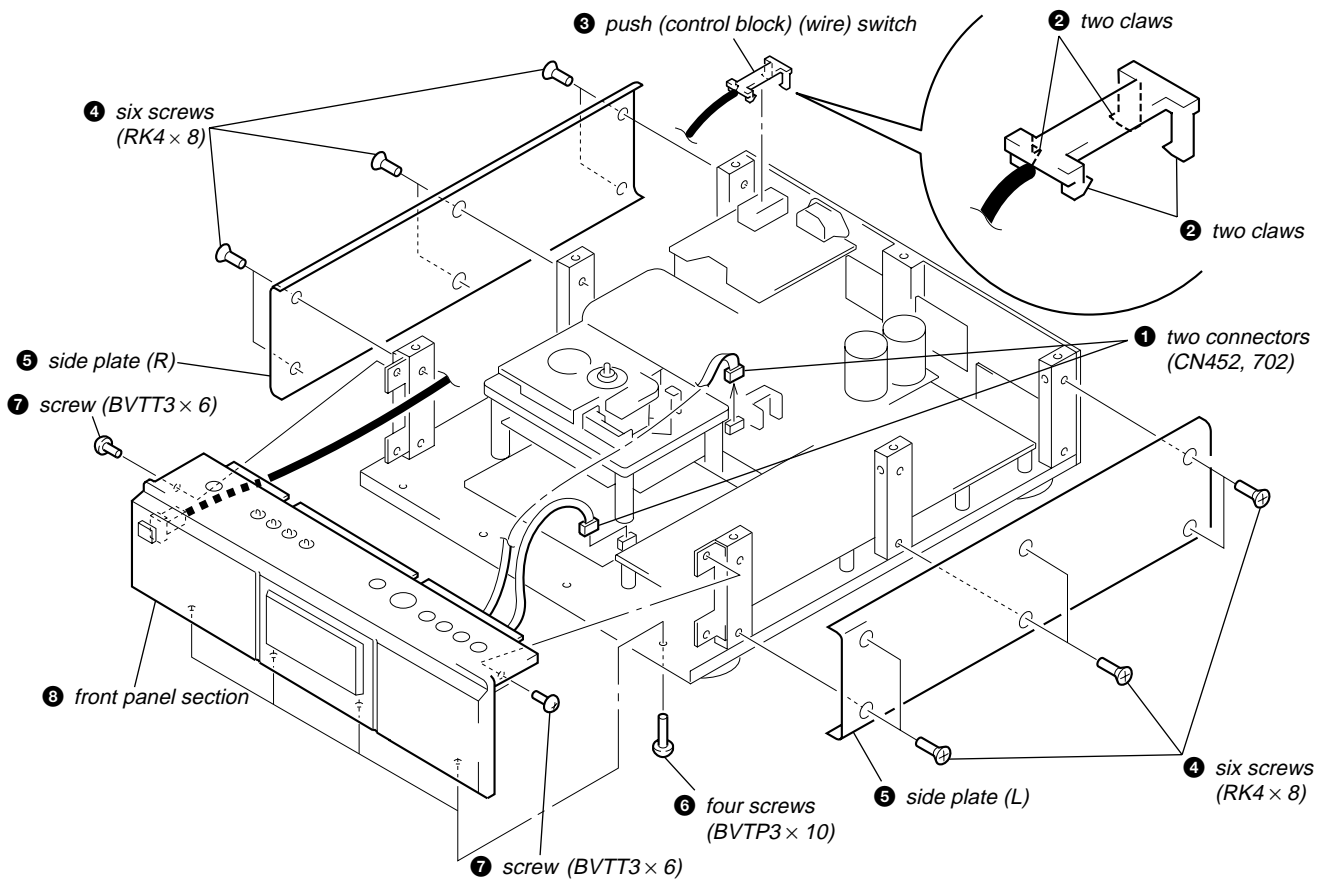
MAIN BOARD



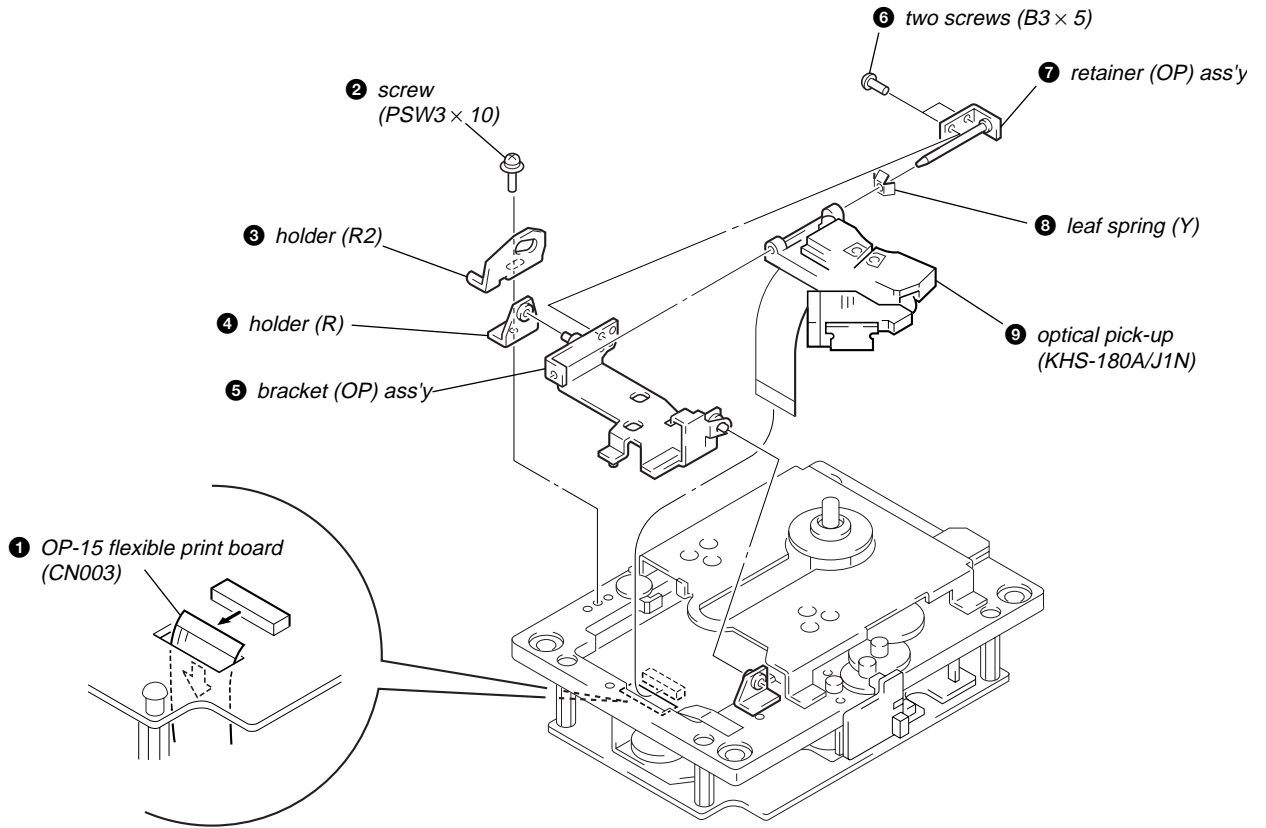
FRONT PANEL SECTION (SCD-1)



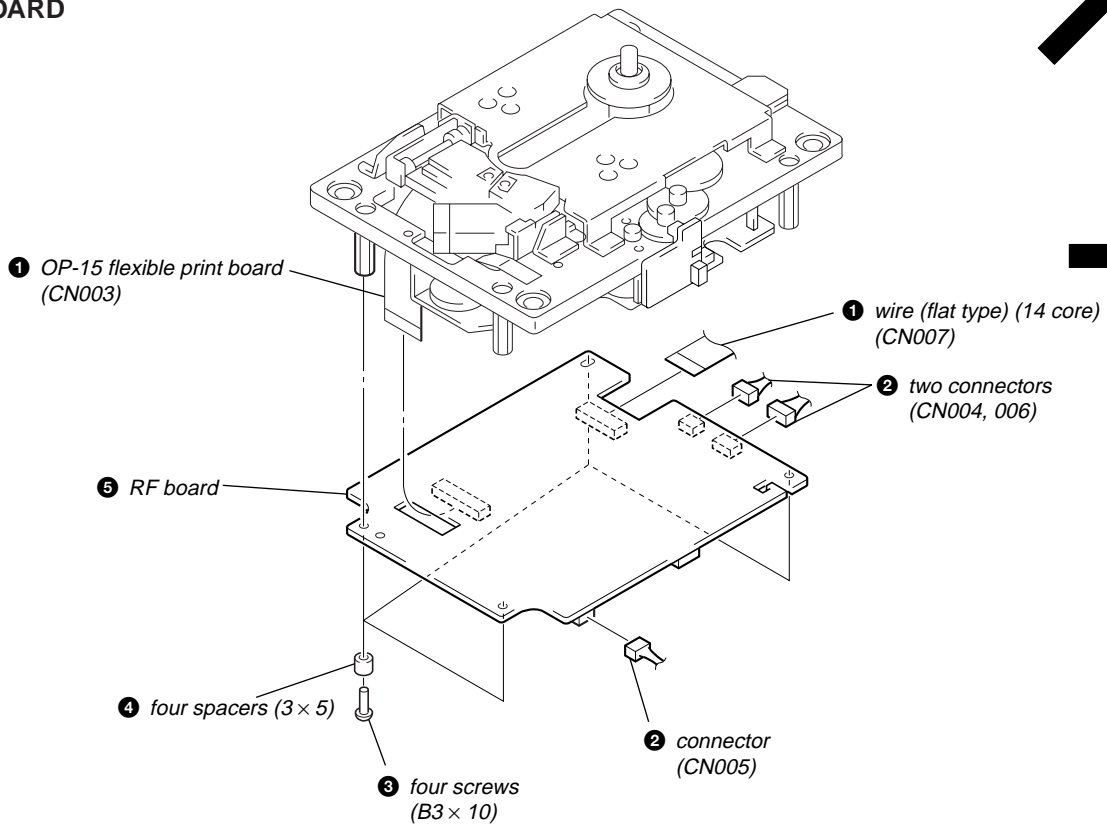
FRONT PANEL SECTION (SCD-777ES)



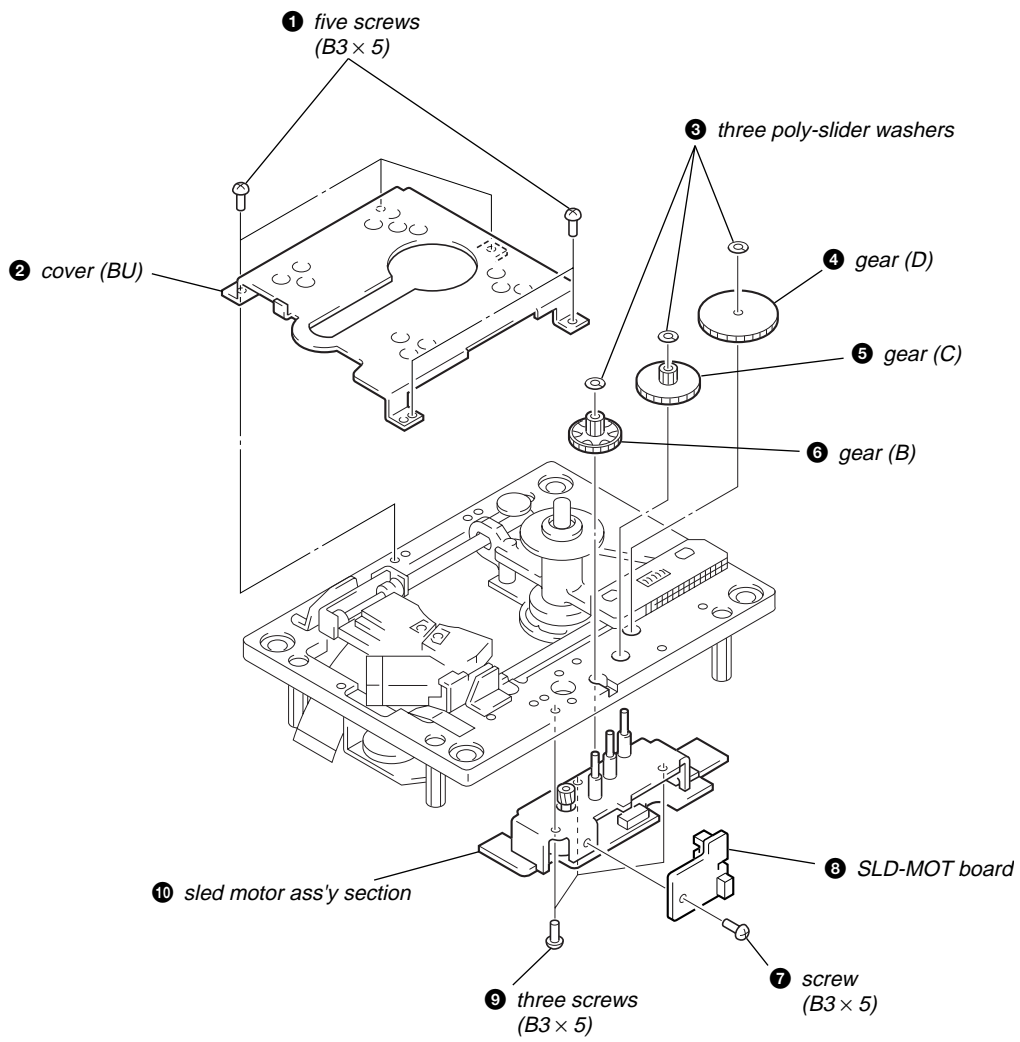
OPTICAL PICK-UP (KHS-180A/J1N)



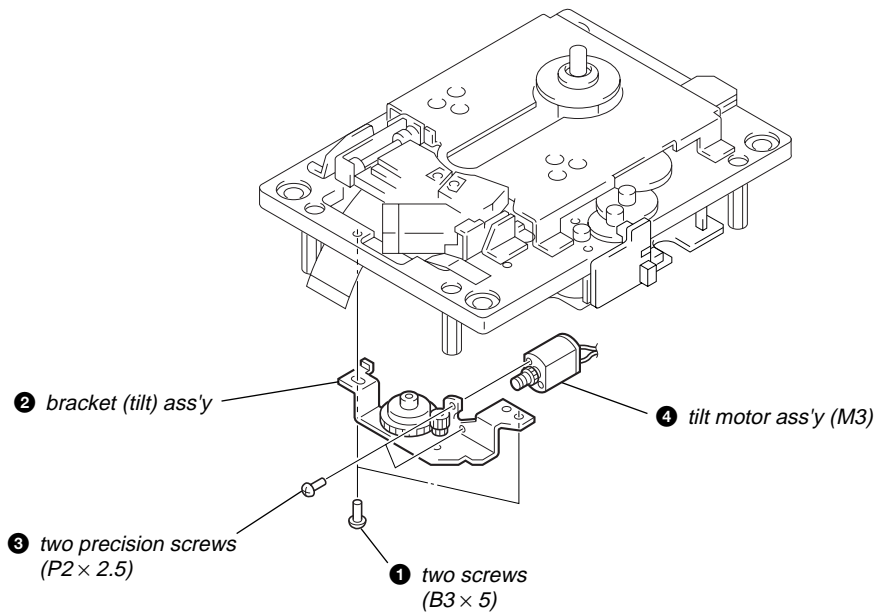
RF BOARD



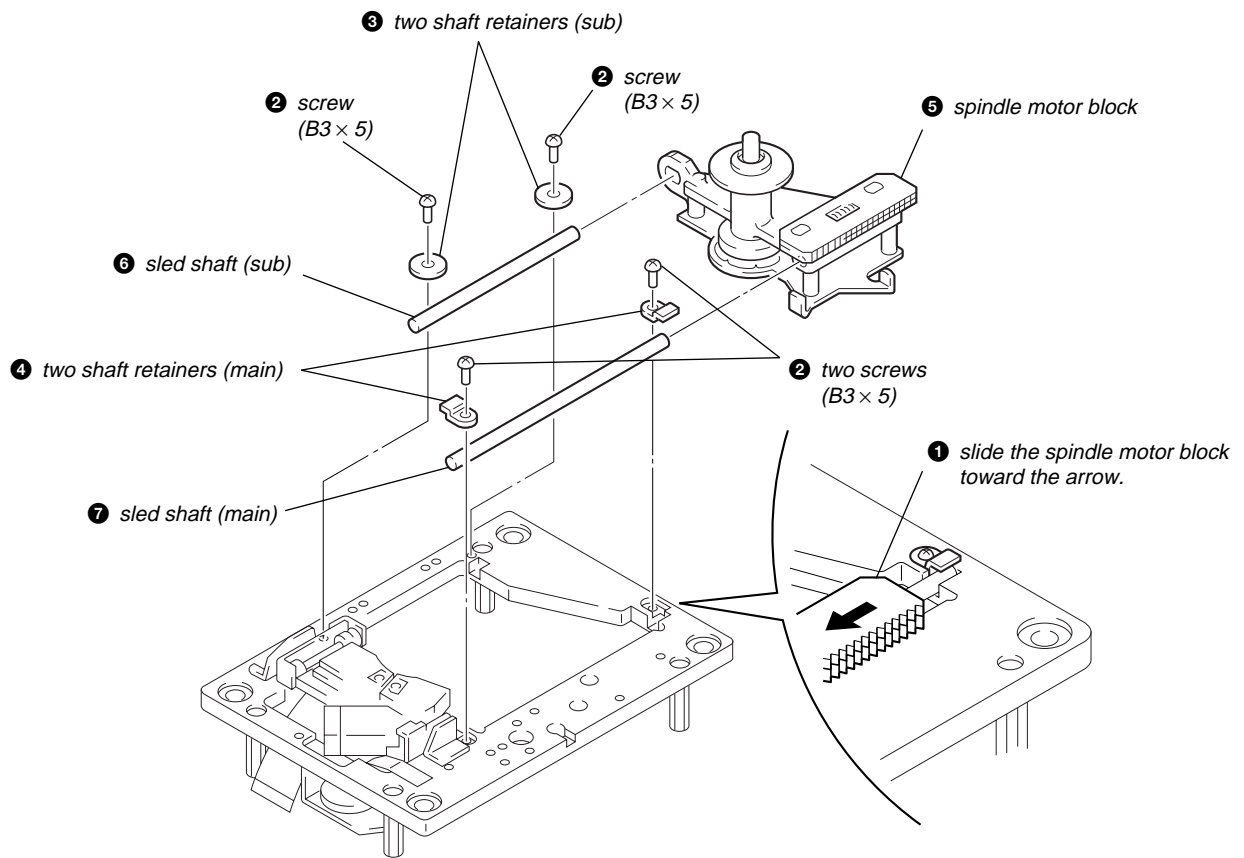
SLED MOTOR ASS'Y SECTION



TILT MOTOR ASS'Y (M3)



SPINDLE MOTOR BLOCK



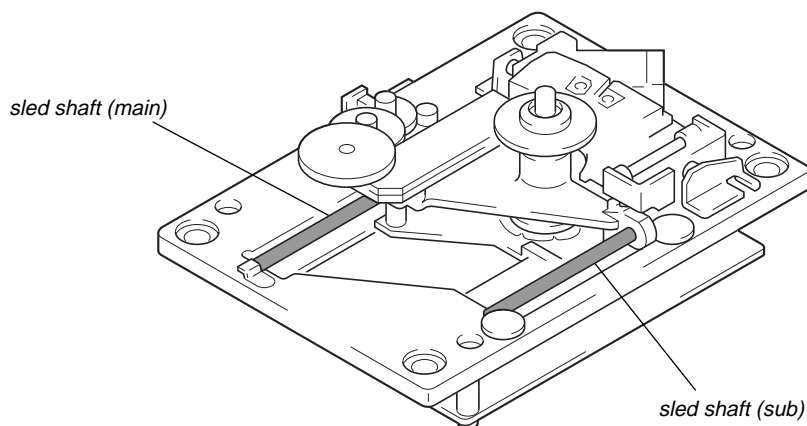
APPLYING OIL AT REPLACEMENT OF MOTOR (SPINDLE) (M7)

When replacing the motor (spindle) (M7), apply a drop of oil to the sled shaft (sub) and the sled shaft (main) respectively.

Part Name	Part No
FLOIL (946P)	7-662-001-37

Notes:

- Do not attach oil to other than specified parts.
- Do not touch the lens and laser diode during work.




SECTION 5 TEST MODE

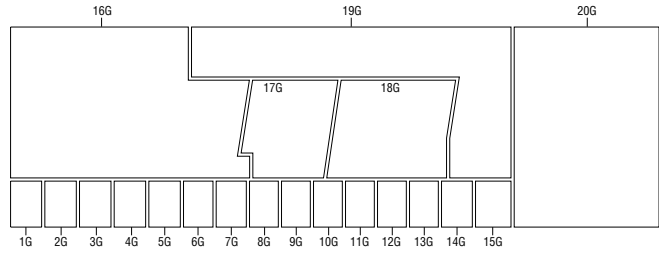
5-1. FLUORESCENT INDICATOR TUBE MODE

Note: Set the CD1/CD2 switch on the remote commander to CD1.

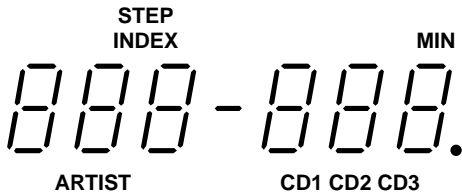
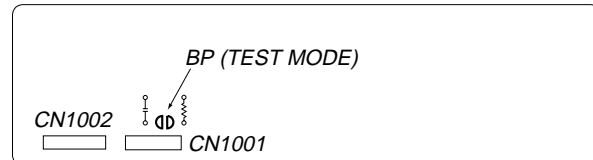
Procedure:

1. Press the  button while shorting the BP (TEST MODE) on the DISPLAY board with tweezers, etc. and turn on the power, so that the following operation will be executed automatically.
 - (1) All segments from 1G to 19G light up in order, starting from 1G.
 - (2) Vertical one line (total 7) of all grids from 1G to 15G lights up in order, starting from the left.
 - (3) Horizontal one line (total 5) of all grids from 1G to 15G lights up in order, starting from the top.
 - (4) Grids from 1G to 15G go off, and all segments from 16G to 19G light up.
2. With the set in the 1-(4) status, pressing any key on the remote commander changes the display as shown below, and activates the key check standby mode.


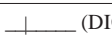
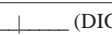





Geid Assignment




- DISPLAY Board (Conductor Side) -



3. When a key on the front panel is pressed, the corresponding segment and LED light up. (See table below)

key on set	Key Attribute	Lighting segment (in 19 grids)	Lightning LED
	EJECT	20 bit	-
TIME	TIME	24 bit	-
TEXT	TEXT	 (DIGITAL FILTER)	-
DIGITAL OUT	DIGITAL OUT	DIGITAL OUTPUT	-
FILTER	FILTER	 (DIGITAL OUTPUT)	-
SACD/CD	SACD/CD	NORM	-
	PLAY	WIDE	PLAY LED
	PAUSE	STD1234	PAUSE LED
	STOP	DIGITAL FILTER	-
	AMS-BACK	16 bit	CD LED
	AMS-FORWARD	OFF	SACD LED

4. If “!%%TEST-END!%%” is displayed after the keys listed above were all pressed, the key check terminated successfully.

Note: As this test does not check the LEDs, check them visually.
5. Press the  button to turn the power off, and disconnect the plug from the socket.

5-2. ADJUSTMENT-1 MODE

This mode is a special mode used to perform overall adjustment, optical pick-up height adjustment, and service check.

Note:

1. Wrong setting method can cause a trouble.
2. Never operate the set with the loading panel mounted, which otherwise causes a trouble.

Setting Method:

1. With the power turned off, press the **[⓪]** button while pressing the **[DIGITAL OUT]** button and **[◀◀]** button.
2. Display of “bbb” implies that the set is now in the Adjust-ment-1 Mode.

Resetting Method:

Press the **[⓪]** button to turn the power off, and disconnect the plug from the socket.

5-3. ADJUSTMENT-2 MODE

This mode is a special mode used to perform CLV jitter check and usually movement check.

Note:

1. Wrong setting method can cause a trouble.
2. Never operate the set with the loading panel mounted, which otherwise causes a trouble.

Setting Method:

1. With the power turned off, press the **[⓪]** button while pressing the **[TIME]** button and **[▶]** button.
2. Display of “# OPEN #” implies that the set is now in the Adjust-ment-2 Mode.

Resetting Method:

Press the **[⓪]** button to turn the power off, and disconnect the plug from the socket.

Adjustment item

Adjustment-1 Mode	Traverse check, S curve check, RF level check, optical pick-up height adjustment, and see contents of Adjustment-1 Mode list.
Adjustment-2 Mode	CLV jitter check and usually movemant check

Adjustment-1 Mode List

Note: Set the CD1/CD2 switch on the remote commander to CD1.

Codes	Contents	Remarks	Disc
01	LD ON/OFF		CD, SL, DL
02	Spindle ON/OFF		CD, SL, DL
03	Forcus Search		CD, SL, DL
04	Forcus Servo ON/OFF		CD, SL, DL
05	Track Servo ON/OFF		CD, SL, DL
06	CLV ON		CD, SL, DL
07	Sled Servo ON/OFF		CD, SL, DL
22	Tilt Servo ON/OFF		CD, SL, DL
23	Tilt Bias	Up	CD, SL, DL
24	Tilt Bias	Down	CD, SL, DL
30	Disc Check		CD, SL, DL *1
60	Overall Adjustment	5: Thresholds check 9: No thresholds check 0: Cancel Go	CD, SL, DL
61	Result Display	1: Proceed 2: Return	CD, SL, DL
62	Adj. Value Clear	9: Go 0: Cancel	CD, SL, DL
PLAY	PLAY		CD, SL, DL
PAUSE	PAUSE		CD, SL, DL
STOP	STOP		CD, SL, DL
NEXT	NEXT		CD, SL, DL
PREV	PREV		CD, SL, DL
FILTER	Focus Search/PLAY	SACD select (SACD/CD key)	SL
		CD select (SACD/CD key)	CD

Note:

1. Selection of an adjustment item where no disc is present could damage the optical pick-up.
2. Do not use other than above listed codes.

*1: Disc check list

Display	Result of Disc Check
Discchk DO SL	No disc
Discchk D1 SL	SL
Discchk D2 CD	CD
Discchk D3 CD	Hybrid CD layer
Discchk D3 HD	Hybrid HD layer
Discchk D4 D0	DL L0 layer
Discchk D4 D1	DL L1 layer

SECTION 6 ELECTRICAL ADJUSTMENTS

Note on Adjustment

- When the following parts were replaced, adjust and check the items marked with ○ in the given order.

Adjustment & check	Parts	Optical pick-up	IC on RF or MAIN board	Spindle motor (M7)
1. Optical Pick-up Height Adjustment		○	×	○
2. Overall Adjustment		○	○	×
3. Traverse Check		○	×	×
4. S Curve Check		○	×	×
5. RF Level Check		○	×	×
6. CLV Jitter Check		×	×	○

2. Adjustment jigs

The following jigs are exclusively used for electrical adjustment and check of this set. Do not use them for other applications.

(1) Disc

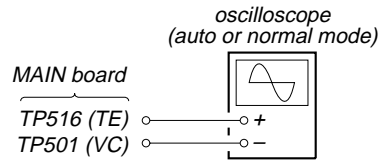
Model	Type*1	Category	Applications
SATD-S1	SL	8cm disc	Optical pic-kup H adj.
SATD-S2	SL	Reference disc	Overall adj. and check
SATD-S3	DL	Reference disc	Overall adj. and check
SATD-S4	SL	Reference disc	Audio characteristic check
TCD-784	CD	Reference disc	Overall adj. and check

*1 SL: Single Layer
DL: Dual Layer

- Remote commander: Assessor for set or RM-D950 (Part No. 1-473-944-1)
- Extension cable (Part No. J-2501-164-A) 2 pcs.
- In making adjustment and check, set the CD1/CD2 switch on the remote commander to CD1.
- The impedance of oscilloscope should be more than 10M .

Traverse Check

Connection:

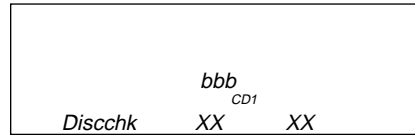


Procedure:

- Connect an oscilloscope to the TP516(TE) and TP501(VC) on the MAIN board.
- Set the Adjustment-1 Mode. (See 5-2. Adjustment-1 Mode in SECTION 5 (page 11))
- Set a disc (SATD-S2, SATD-S3, or TCD-784).
- Press the [3] button and [0] button on the remote commander to make the disc type checked.

Note: If the disc check was made in the Adjustment-1 Mode, pressing another button immediately after pressing the [3] and [0] buttons on the remote commander could cause the microcomputer to run out of control, thus requiring extreme care.

- Confirm that the disc was checked.

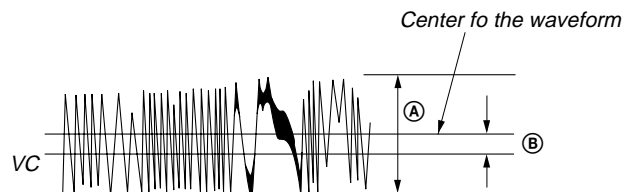


- Press the [▶] button.
- Press the [0] button and [7] button, and the [0] button and [5] button on the remote commander successively to turn off the tracking servo.
- Check that the waveform on oscilloscope is within the level (A) and (B) specifications.
- After checking, press the [■] button.
- Repeat steps 3 through 9 respective discs.
- Press the [⏻] button to turn the power off.

Specified Value:

Disc	(A)	(B)
SATD-S2	1.3 to 2.4 Vp-p	- 0.1 to +0.1 V
SATD-S3		
TCD-784		

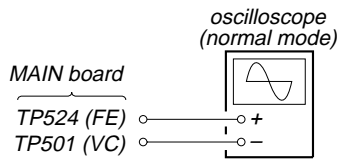
Traverse waveform



Adjustment Location : See page16.

S Curve Check

Connection:

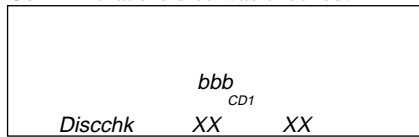


Procedure:

1. Connect an oscilloscope to the TP524(FE) and TP501(VC) on the MAIN board.
2. Set the Adjustment-1 Mode. (See 5-2. Adjustment-1 Mode in SECTION 5 (page 11))
3. Set a disc (SATD-S2 or TCD-784).
4. Press the [3] button and [0] button on the remote commander to make the disc type checked.

Note: If the disc check was made in the Adjustment-1 Mode, pressing another button immediately after pressing the [3] and [0] buttons on the remote commander could cause the microcomputer to run out of control, thus requiring extreme care.

5. Confirm that the disc was checked.

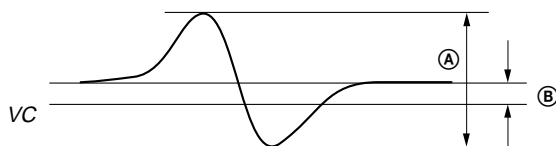


6. Press the [0] button and [1] button, the [0] button and [2] button, and the [0] button and [3] button on the remote commander successively to execute the focus search.
7. Check that the waveform on oscilloscope is within the level (A) and (B) specifications.
8. After checking, press the [■] button.
9. Repeat steps 3 through 8 for respective discs.
10. Press the [⏻] button to turn the power off.

Specified Value:

Disc	(A)	(B)
SATD-S2	1.5 to 2.3Vp-p	- 0.1 to +0.1V
TCD-784		

S curve waveform

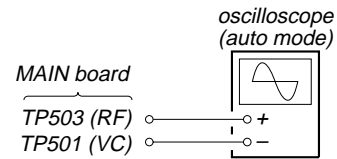


Note: For easier observation of this waveform, extend the sweep time and raise the brightness.

Adjustment Location : See page16.

RF Level Check

Connection:

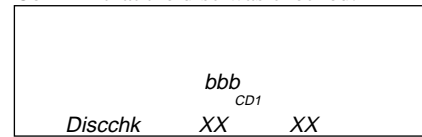


Procedure:

1. Connect an oscilloscope to the TP503(RF) and TP501(VC) on the MAIN board.
2. Set the Adjustment-1 Mode. (See 5-2. Adjustment-1 Mode in SECTION 5 (page 11))
3. Set a disc (SATD-S2 or TCD-784).
4. Press the [3] button and [0] button on the remote commander to make the disc type checked.

Note: If the disc check was made in the Adjustment-1 Mode, pressing another button immediately after pressing the [3] and [0] buttons on the remote commander could cause the microcomputer to run out of control, thus requiring extreme care.

5. Confirm that the disc was checked.

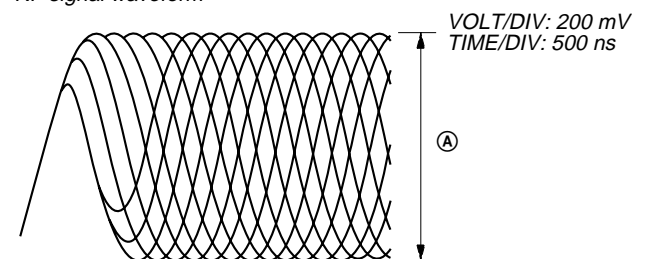


6. Press the [▶] button.
7. Check that the waveform on oscilloscope is clear, and the level and jitter of waveform satisfy the specifications.
8. After checking, press the [■] button.
9. Repeat steps 3 through 8 for respective discs.
10. Press the [⏻] button to turn the power off.

Specified Value:

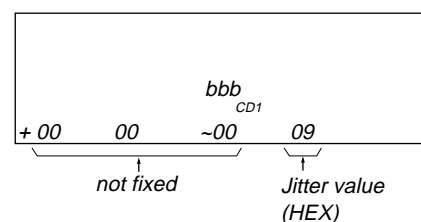
Disc	(A)	Jitter (displayed value)
SATD-S2	1.25 to 1.65 Vp-p	20 (Hex) or less
TCD-784	1.3 to 1.7 Vp-p	15 (Hex) or less

RF signal waveform



Note: Clear RF waveform refers to the waveform where ◊ shapes should be distinctively observed in the center.

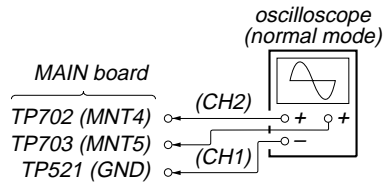
Display example:



Adjustment Location : See page16.

CLV Jitter Check

Connection:



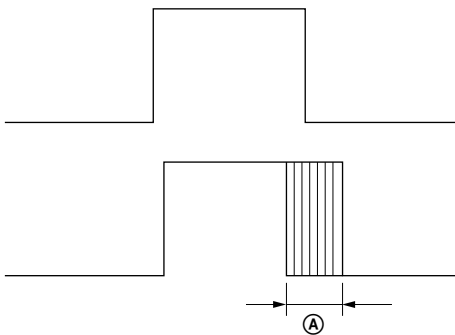
Procedure:

1. Connect an oscilloscope to the TP702(MNT4)(CH1), TP703(MNT5)(CH2) and TP521(GND) on the MAIN board.
2. Set the Adjustment-2 Mode. (See 5-3. Adjustment-2 Mode in SECTION 5 (page 11))
3. Set a disc (SATD-S2 or TCD-784).
4. Press the button.
5. Move the sled to the middle track.
 - Sled middle track
SATD-S2:TN05
TCD-784:TN05
6. Check that the **(A)** value of waveform on oscilloscope satisfies the specification.
7. After checking, press the button.
8. Repeat steps 3 through 7 for respective discs.
9. Press the button to turn the power off.

Specified Value:

Disc	(A)
SATD-S2	55 μsec or less
TCD-784	

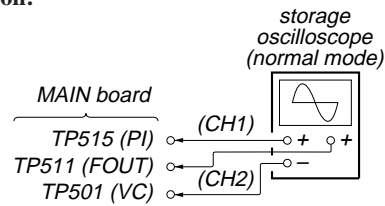
CLV jitter waveform



Adjustment Location : See page16.

Optical Pick-up Height Adjustment

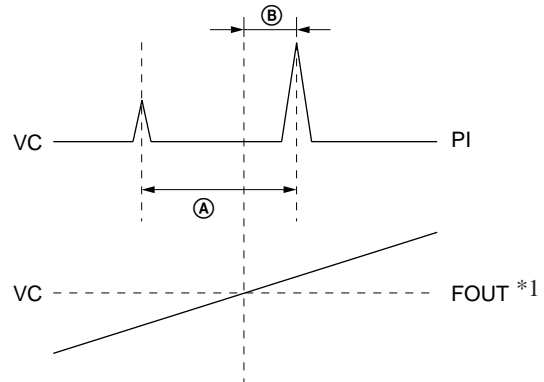
Connection:



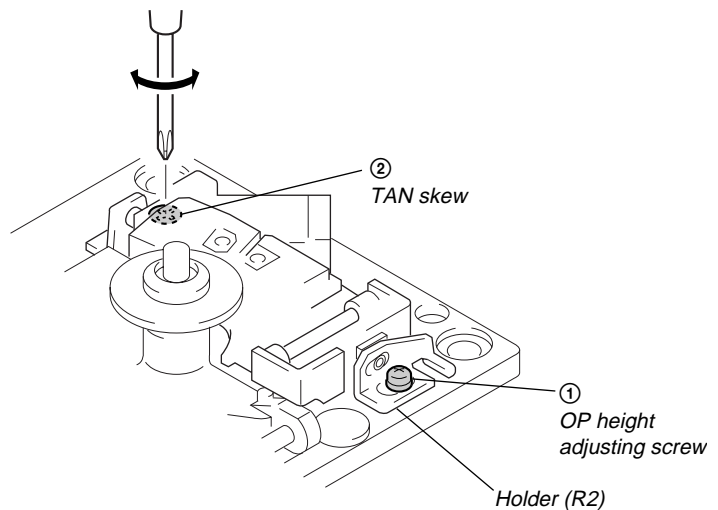
Procedure:

1. Connect an oscilloscope to the TP515(PI)(CH1), TP511(FOUT) (CH2) and TP501(VC) on the MAIN board.
2. Set the Adjustment-1 Mode. (See 5-2. Adjustment-1 Mode in SECTION 5 (page 11))
3. Set a disc (SATD-S1).
4. Press the button to set the Focus Search mode.
5. Loosen the OP height adjusting screw **(1)**, and while shifting the Holder (R2), adjust the height so that the waveform on oscilloscope satisfies the specified value.
6. Press the button to set the Play mode.
7. Adjust the TAN skew **(2)** so as to attain most preferable jitter value on the display.
8. Press the button to set the Focus Search mode.
9. Check that the **(B)** value of waveform on oscilloscope satisfies the specification.
10. Repeat steps 5 through 9.
11. Lock the OP height adjusting screw **(1)** when adjustment finished.
12. Press the button.
13. Press the button to turn the power off.

Specified Value: **(B)** is more than 0, and less than **(A)/3**



*1: Normal-trigger the oscilloscope using FOUT on CH2.



Adjustment Location : See page16.

Overall Adjustment

Procedure:

1. Set the Adjustment-1 Mode. (See 5-2. Adjustment-1 Mode in SECTION 5 (page 11))
2. Press the [6] button and [2] button, then the [9] button on the remote commander (to initialize data).
3. Set a disc (TCD-784).
4. Press the [6] button and [0] button, then the [5] button on the remote commander. (Adjustment will take about 2 minutes.)
5. Remove the disc when "CD END" is displayed.
6. Set a disc (SATD-S2).
7. Press the [6] button and [0] button, then the [5] button on the remote commander. (Adjustment will take about 1 minute 30 seconds.)
8. Remove the disc when "SL END" is displayed.
9. Set a disc (SATD-S3).
10. Press the [6] button and [0] button, then the [5] button on the remote commander. (Adjustment will take about 1 minute.)
11. Remove the disc when "DL END" is displayed.

Note: If an error is displayed during the adjustment so far, press again the [6] button and [0] button on the remote commander to execute re-adjustment.

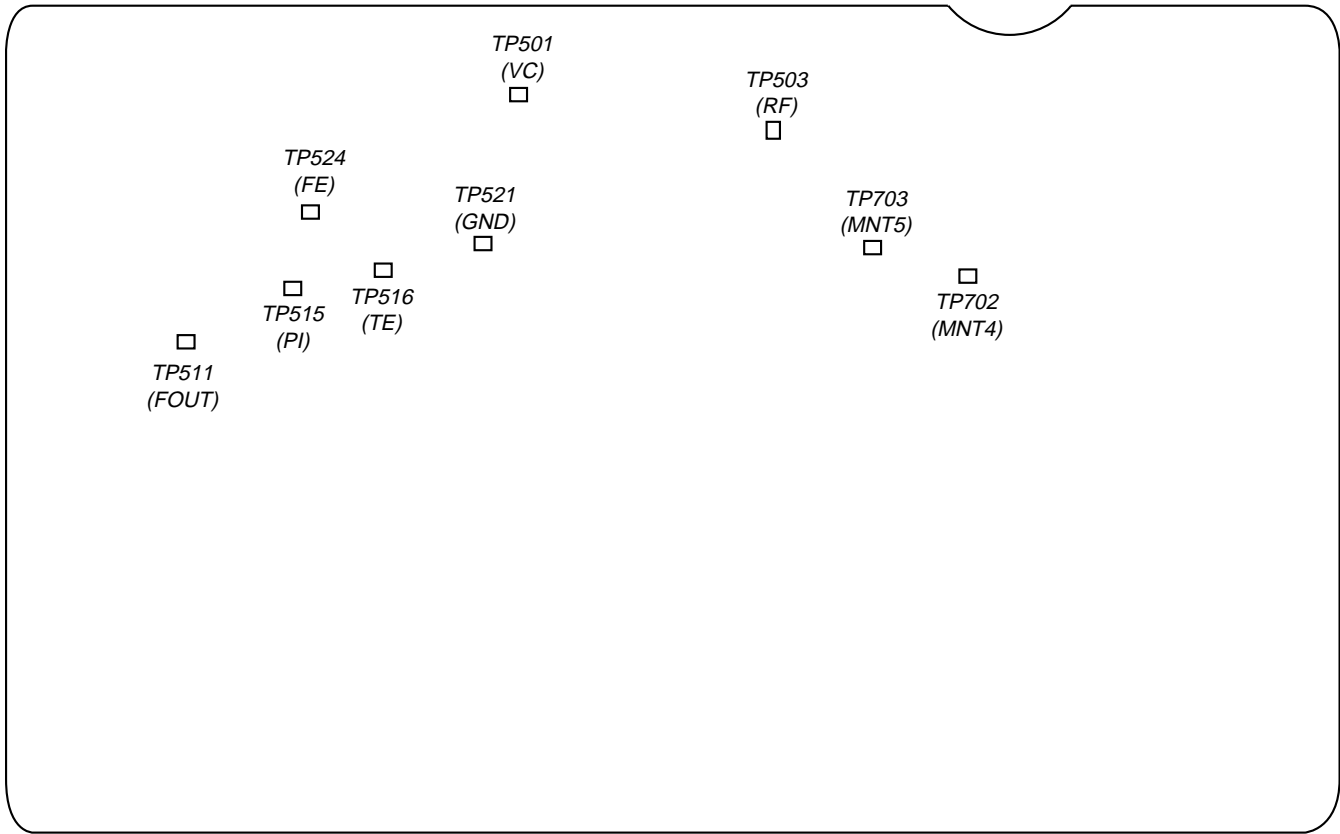
12. Press the [6] button and [1] button on the remote commander.
13. As the number and adjusted value are displayed, make sure that it is within the threshold.
14. Press the [1] button on the remote commander to proceed to the next item. (To return to the previous item, press the [2] button.)
15. Repeat steps 13 and 14.
16. After checking items up to No.43, press the [0] button to turn the power off.

Thresholds for Overall Adjustment

No.	Description	U limit	L limit
00	PI Level SL	0	4
01	PI Level DL	3	7
02	PI Offset CD	15D	2A3
03	PI Offset SL	15D	2A3
04	PI Offset DL	15D	2A3
05	PI Offset Disc Check	100	2FF
06	Traverse Offset CD	/	/
07	Traverse Offset SL	/	/
08	Traverse Offset DL	/	/
09	Traverse Gain CD	/	/
10	Traverse Gain SL	/	/
11	Traverse Gain DL	/	/
12	For PI Level Disc Check	0	2
13	PI Reflectance SL	2D28	7333
14	PI Reflectance DL	936	4083
15	Surface Reflect to CD Layer Distance	82	/
16	Surface Reflect to DSD Layer Distance	41	82
17	Low Push-pull for Disc Check	4FDF	9999
18	High T Bal for Disc Check	0000	47AE
19	FE Offset CD	/	/
20	FE Offset SL	/	/
21	FE Offset DL	/	/
22	Focus Bias CD	E0	20
23	Focus Bias SL	E0	20
24	Focus Bias DL0	E0	20
25	AGC Focus Gain CD	1500	3000
26	AGC Focus Gain DL	0851	1A00
27	AGC Focus Gain SL	0C28	2500
28	AGC Tracking Gain CD	1A00	3C00
29	AGC Tracking Gain SL	1100	2500
30	AGC Tracking Gain DL	1400	2700
31	RF Loop Filter Offset CD	F6	0A
32	RF Loop Filter Offset DSD	F6	0A
33	Tilt Disordered Point CD +side	/	/
34	Tilt Disordered Point CD -side	/	/
35	Tilt Disordered Point SL +side	/	/
36	Tilt Disordered Point SL -side	/	/
37	Tilt Disordered Point DL +side	/	/
38	Tilt Disordered Point DL -side/	/	/
39	Tilt Offset CD	F0	10
40	Tilt Offset SL	F0	10
41	Tilt Offset DL	F0	10
42	Focus Balance SL		
43	Focus Balance DL		

- Note:** 1. No threshold specified for [] items.
2. All thresholds are displayed in Hex.

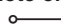



Adjustment Location:
– MAIN Board (Component Side) –



SECTION 7 DIAGRAMS

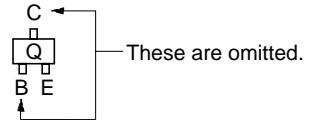
7-1. NOTES FOR PRINTED WIRING BOARD AND SCHEMATIC DIAGRAM

Note on Printed Wiring Board:



-  : parts extracted from the component side.
-  : parts extracted from the conductor side.
-  : Through hole.
-  : Pattern from the side which enables seeing. (The other layers' patterns are not indicated.)

Caution:
 Pattern face side: Parts on the pattern face side seen from the pattern face are indicated.
 (Conductor Side)
 Parts face side: Parts on the parts face side seen from the parts face are indicated.
 (Component Side)

• Indication of transistor



Note on Schematic Diagram:






- All capacitors are in μF unless otherwise noted. pF: μpF 50 WV or less are not indicated except for electrolytics and tantalums.
- All resistors are in Ω and $1/4\text{W}$ or less unless otherwise specified.
- % : indicates tolerance.
- Δ : internal component.
-  : fusible resistor.
-  : panel designation.

Note:

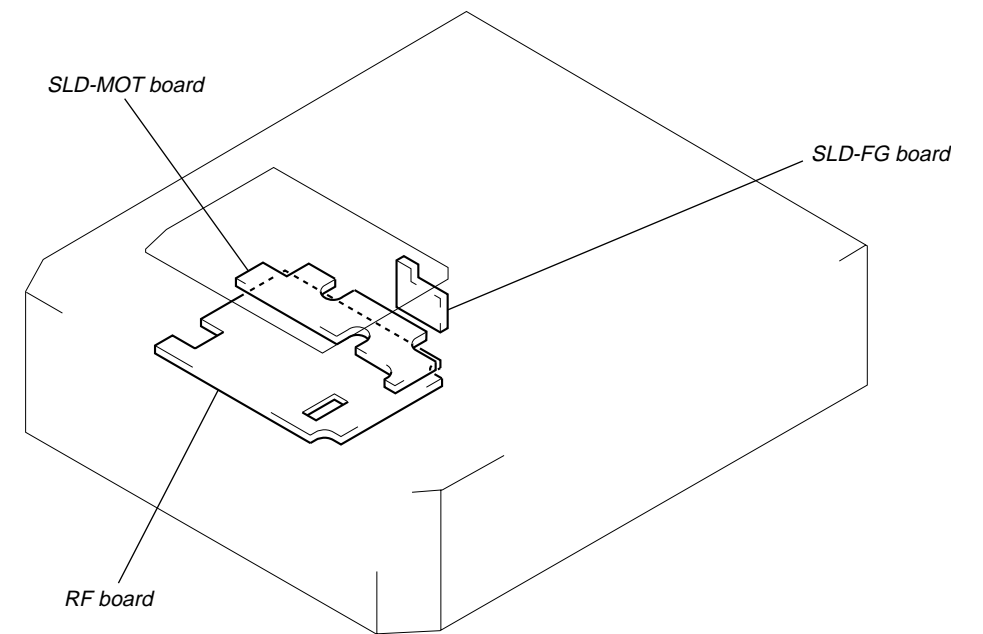
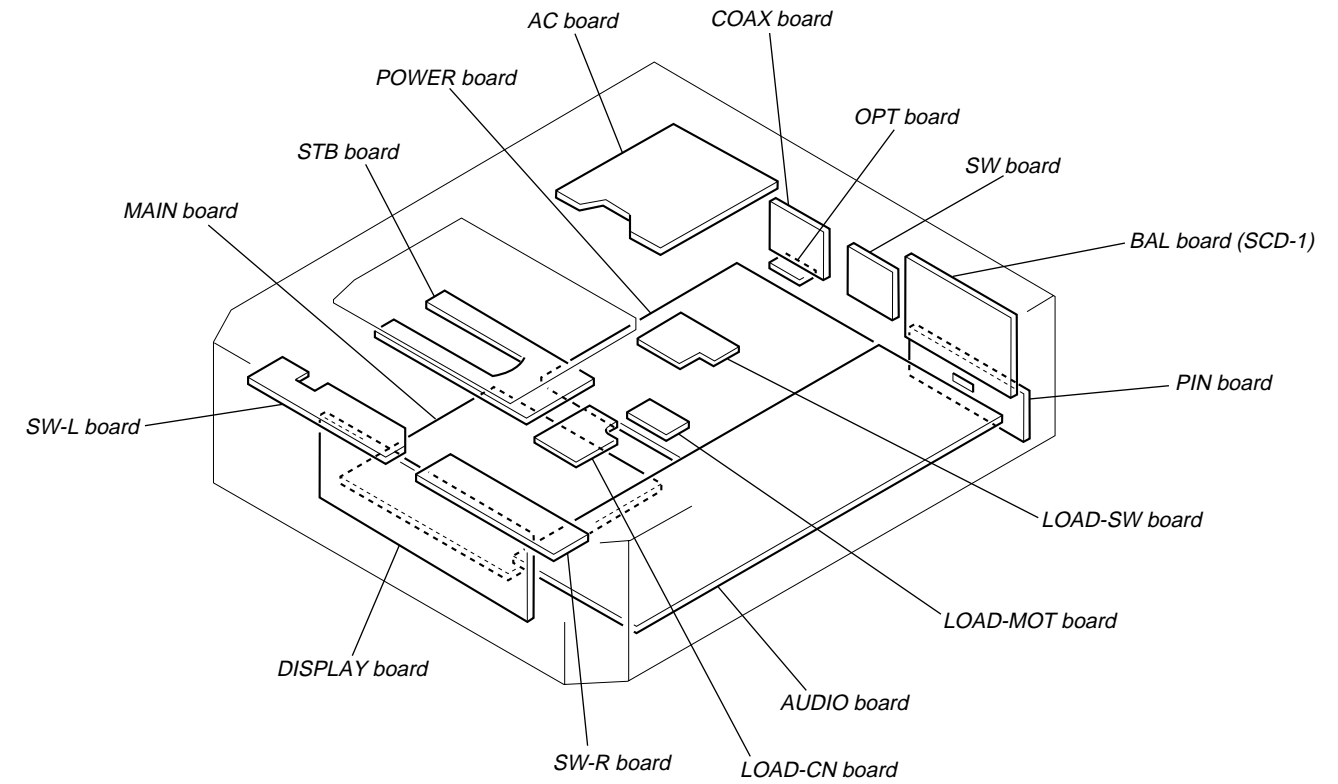
The components identified by mark Δ or dotted line with mark Δ are critical for safety. Replace only with part number specified.

Note:

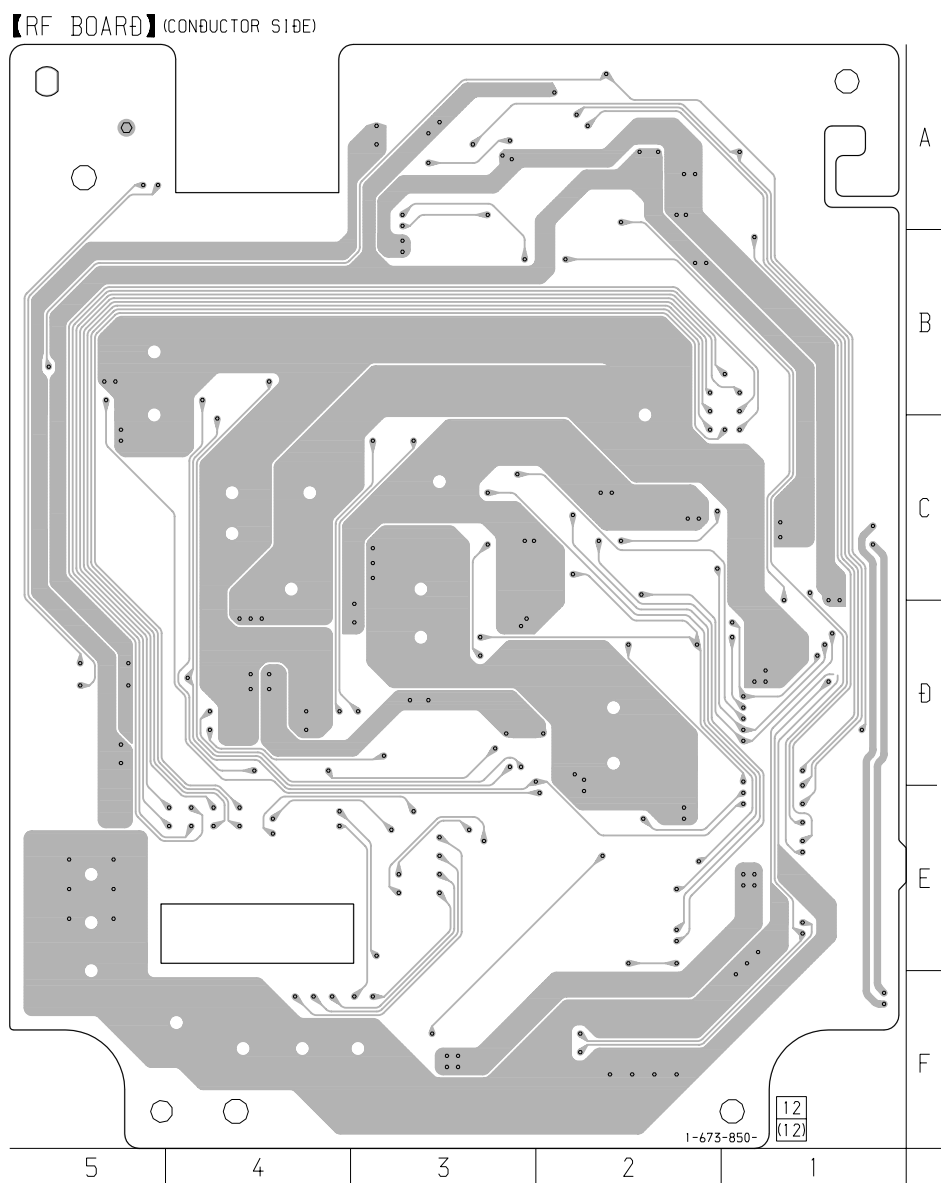
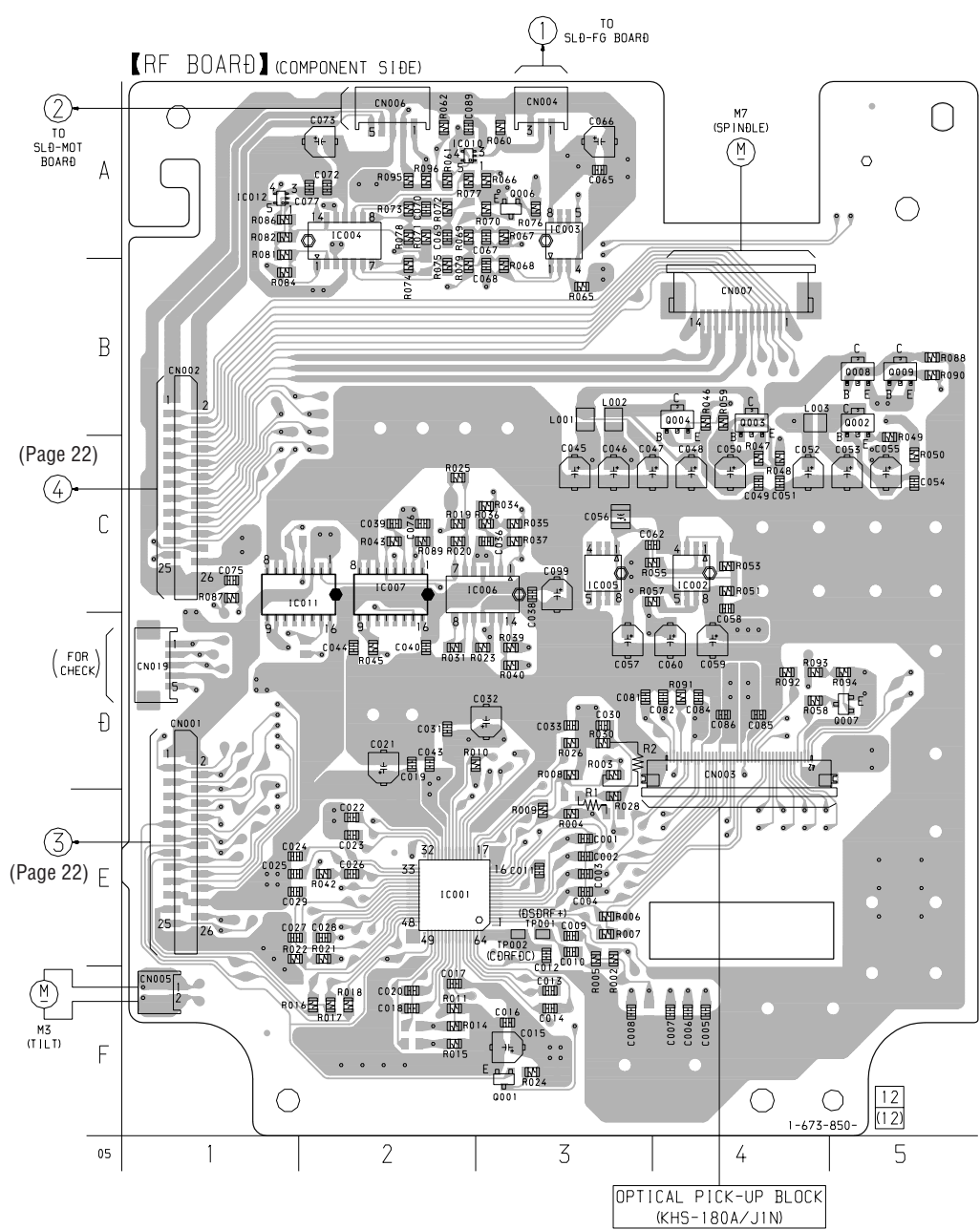
Les composants identifiés par une marque Δ sont critiques pour la sécurité. Ne les remplacer que par une pièce portant le numéro spécifié.

-  : B+ Line.
-  : B- Line.
- Voltages and waveforms are dc with respect to ground in adjustment mode.
 no mark :STOP
 () :SACD
 << >> :CD
- Voltages are taken with a VOM (Input impedance 10 M Ω). Voltage variations may be noted due to normal production tolerances.
- Waveforms are taken with a oscilloscope. Voltage variations may be noted due to normal production tolerances.
- Circled numbers refer to waveforms.
- Signal path.
 : SACD
 : CD
 : DIGITAL OUT

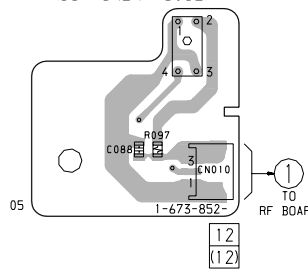
• Circuit Boards Location



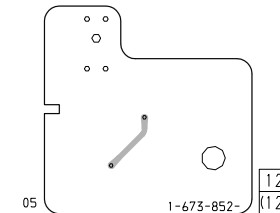
7-2. PRINTED WIRING BOARDS – RF/SLD-FG/SLD-MOT Boards – • See page 17 for Circuit Boards Location.



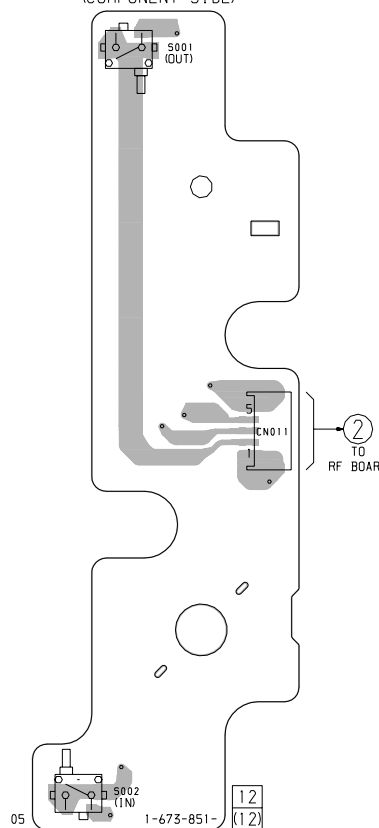
【SLD-FG BOARD】 (COMPONENT SIDE)



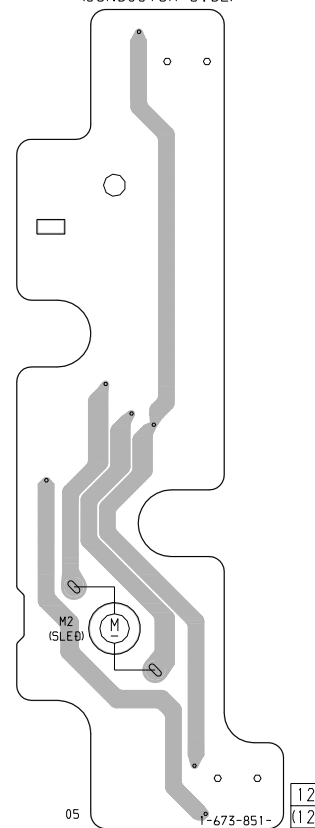
【SLD-FG BOARD】 (CONDUCTOR SIDE)



【SLD-MOT BOARD】 (COMPONENT SIDE)



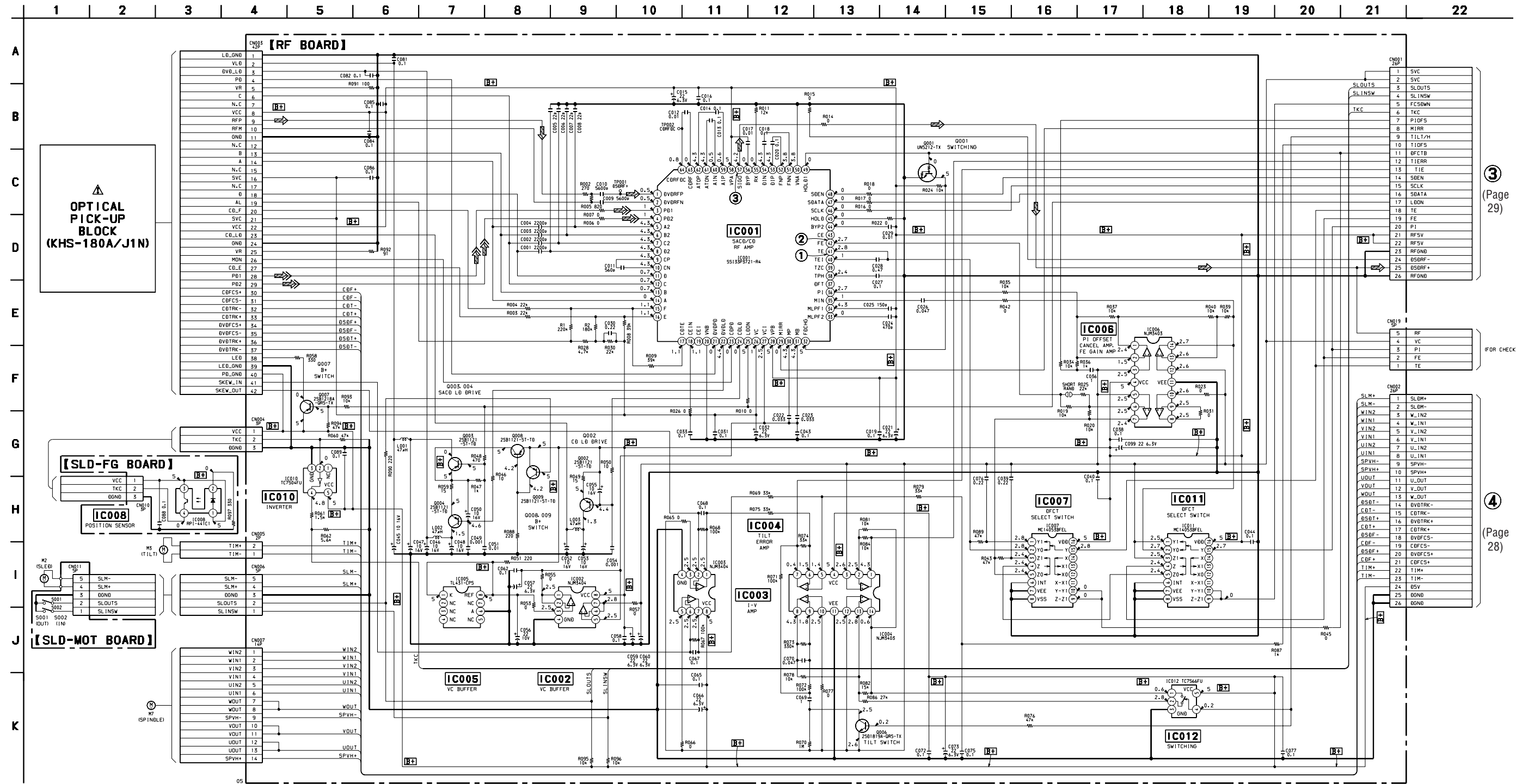
【SLD-MOT BOARD】 (CONDUCTOR SIDE)



• Semiconductor Location –RF Board–

Ref. No.	Location	Ref. No.	Location	Ref. No.	Location
IC001	E-2	IC010	A-2	Q004	B-4
IC002	C-4	IC011	C-2	Q006	A-3
IC003	A-3	IC012	A-1	Q007	D-5
IC004	A-2			Q008	B-5
IC005	C-3	Q001	F-3	Q009	B-5
IC006	C-3	Q002	B-5		
IC007	C-2	Q003	B-4		

7-3. SCHEMATIC DIAGRAM – RF/SLD-FG/SLD-MOT Boards – • See page 40 for Waveforms.



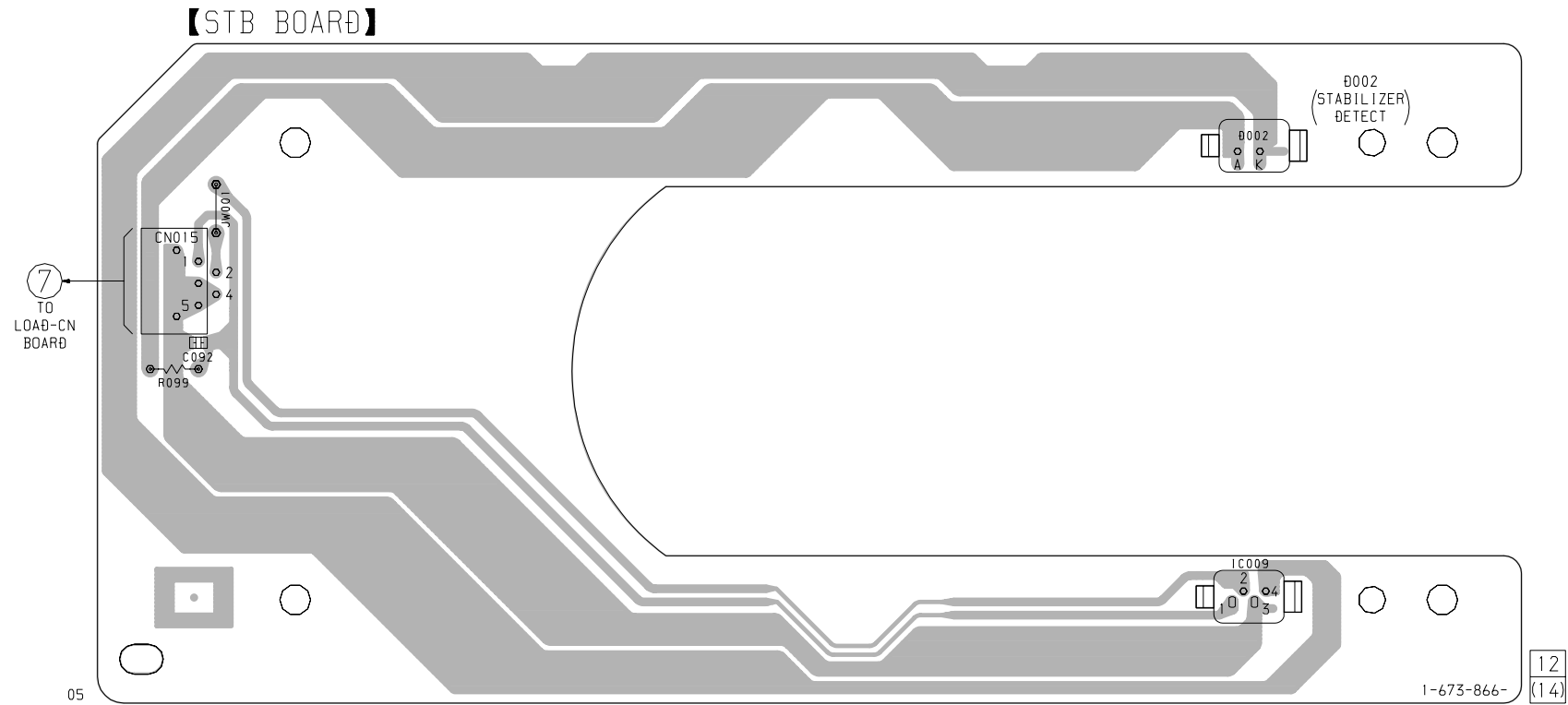
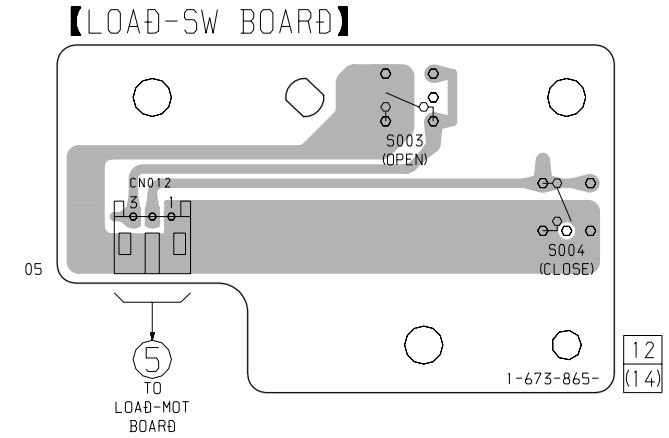
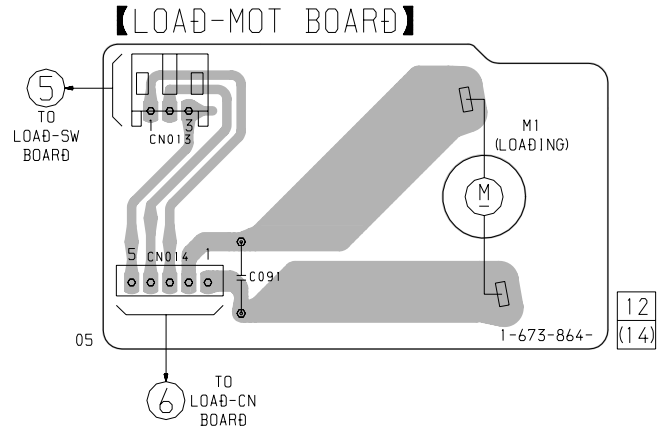
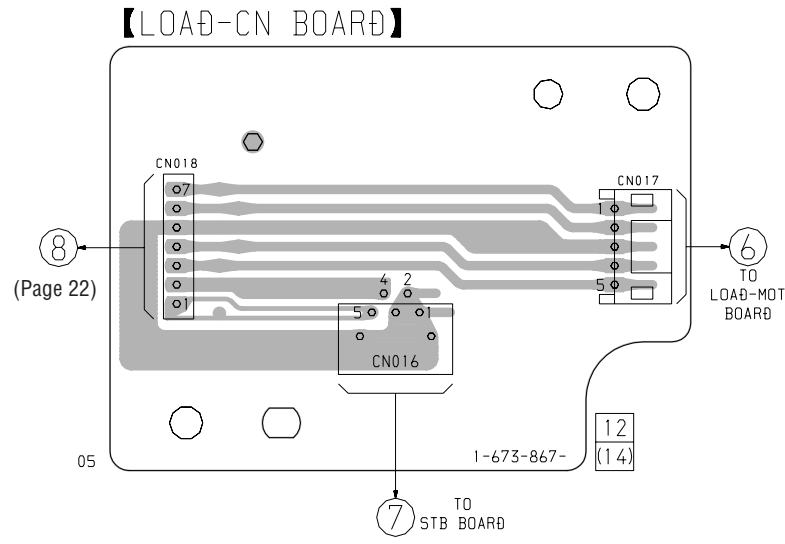
③ (Page 29)

④ (Page 28)

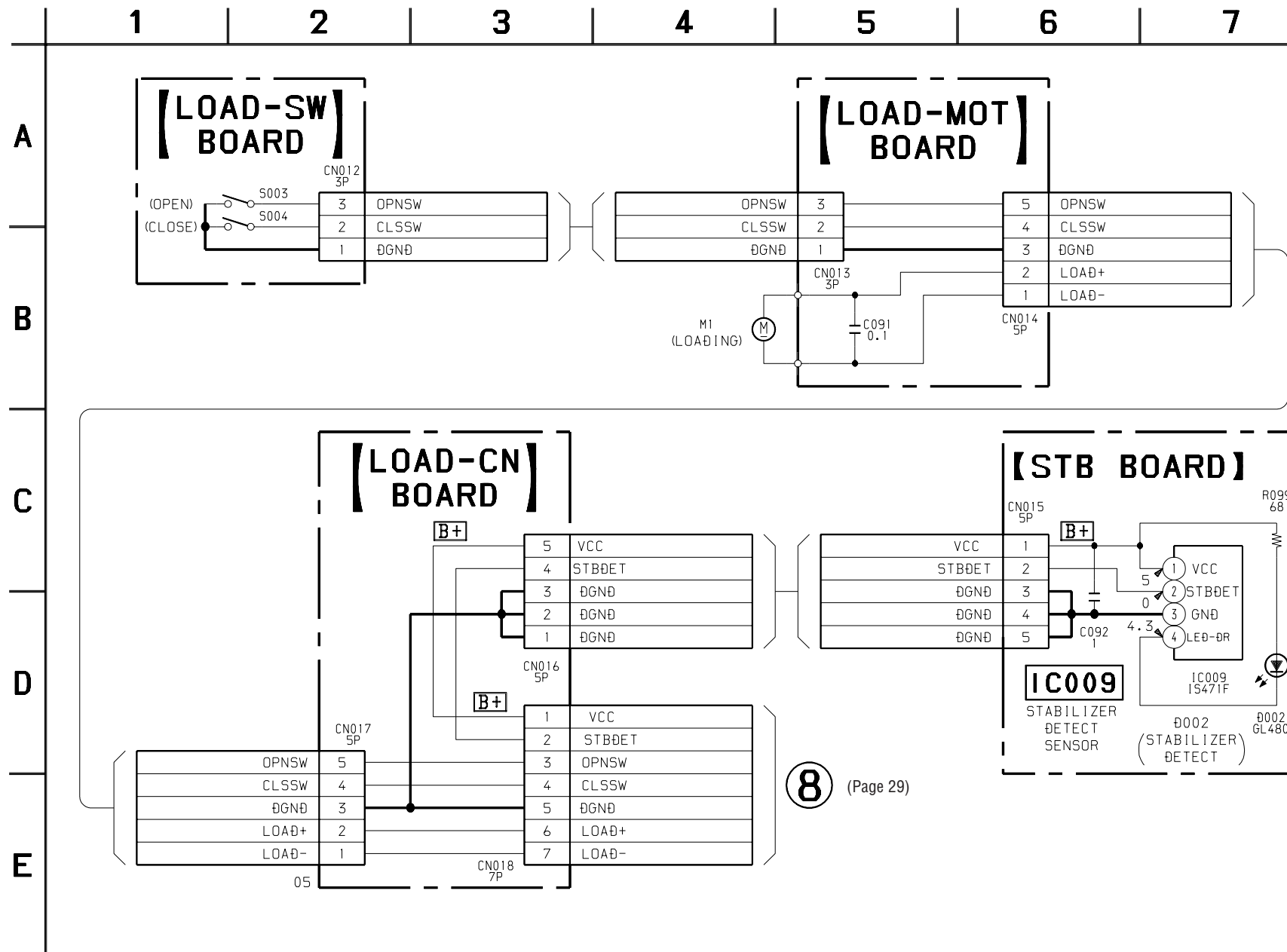
The components identified by mark Δ or dotted line with mark Δ are critical for safety. Replace only with part number specified.

Les composants identifiés par une marque Δ sont critiques pour la sécurité. Ne les remplacer que par une pièce portant le numéro spécifié.

7-4. PRINTED WIRING BOARDS – LOAD-CN/LOAD-MOT/LOAD-SW/STB Boards – • See page 17 for Circuit Boards Location.



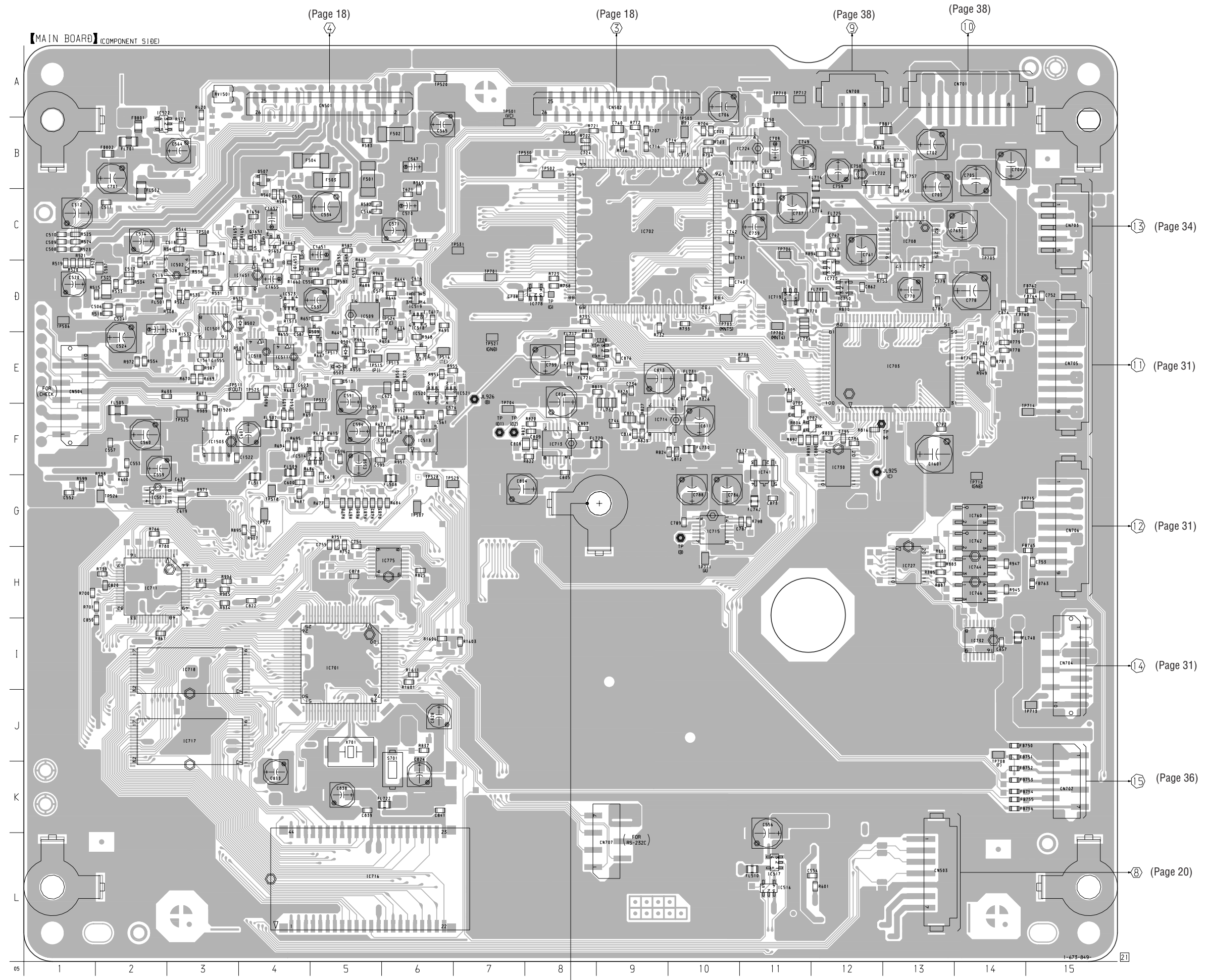
7-5. SCHEMATIC DIAGRAM – LOAD-CN/LOAD-MOT/LOAD-SW/STB Boards –



7-6. PRINTED WIRING BOARD – MAIN Board (component side) – • See page 17 for Circuit Boards Location.

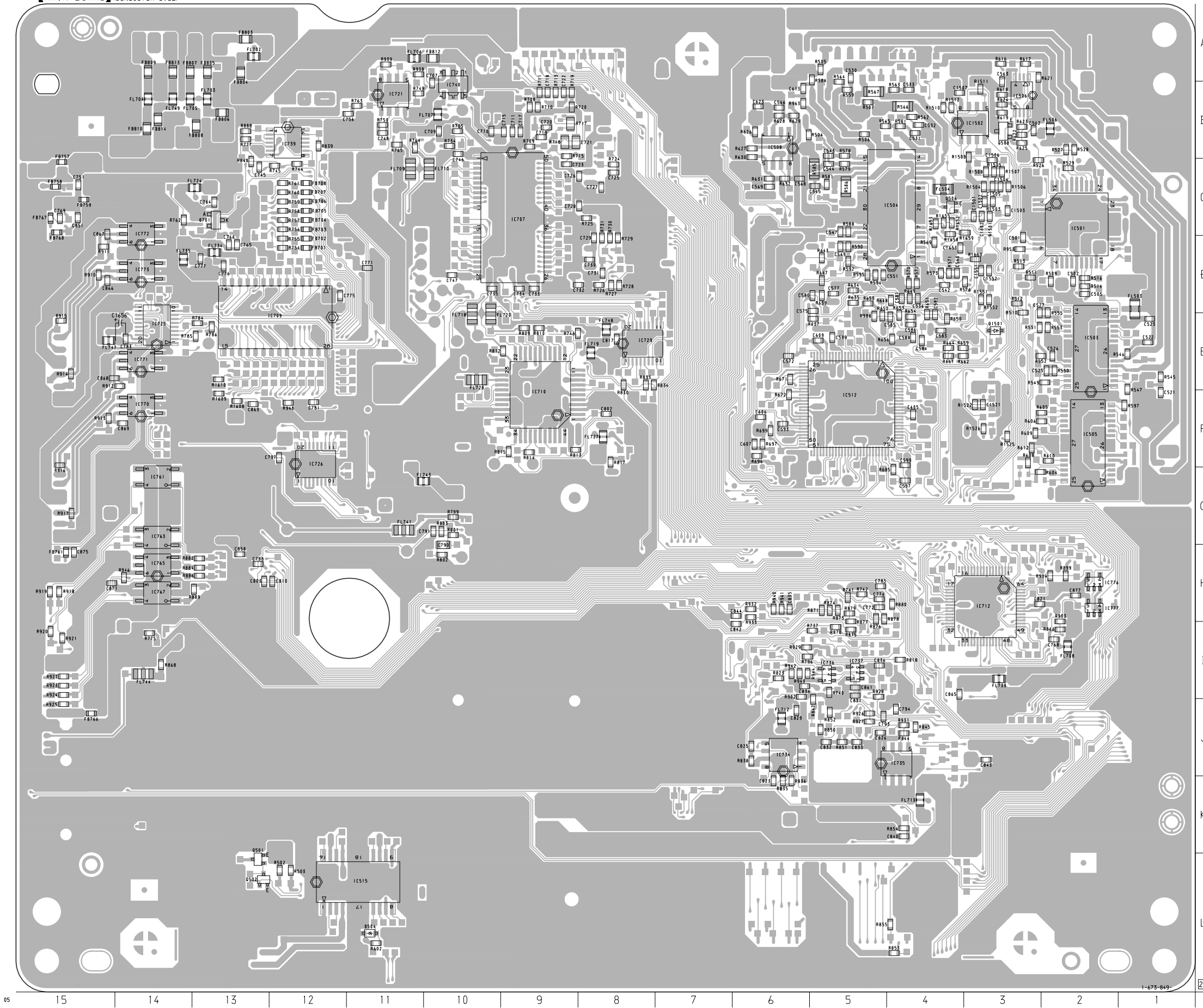
• Semiconductor Location

Ref. No.	Location
D501	E-5
D502	D-4
D503	E-5
D702	F-12
IC502	D-3
IC507	G-2
IC509	D-5
IC510	E-4
IC511	E-4
IC513	F-6
IC514	F-5
IC516	L-11
IC517	L-11
IC519	D-6
IC520	E-6
IC521	E-6
IC522	B-2
IC523	D-4
IC701	I-5
IC702	C-9
IC703	E-13
IC708	C-13
IC711	H-2
IC713	F-8
IC714	F-9
IC715	G-10
IC716	L-5
IC717	J-3
IC718	I-3
IC719	D-11
IC720	D-12
IC722	B-12
IC724	B-11
IC727	H-13
IC728	E-9
IC730	F-12
IC732	I-14
IC741	F-11
IC750	D-12
IC760	G-14
IC762	G-14
IC764	H-14
IC766	H-14
IC775	H-6
IC778	D-8
IC1501	D-3
IC1503	F-3
IC1651	D-4
Q507	B-4
Q509	E-5
Q511	E-6
Q705	F-11
Q1651	C-4
Q1652	C-4
Q1653	D-4



7-7. PRINTED WIRING BOARD – MAIN Board (conductor side) – • See page 17 for Circuit Boards Location.

【MAIN BOARD】(CONDUCTOR SIDE)

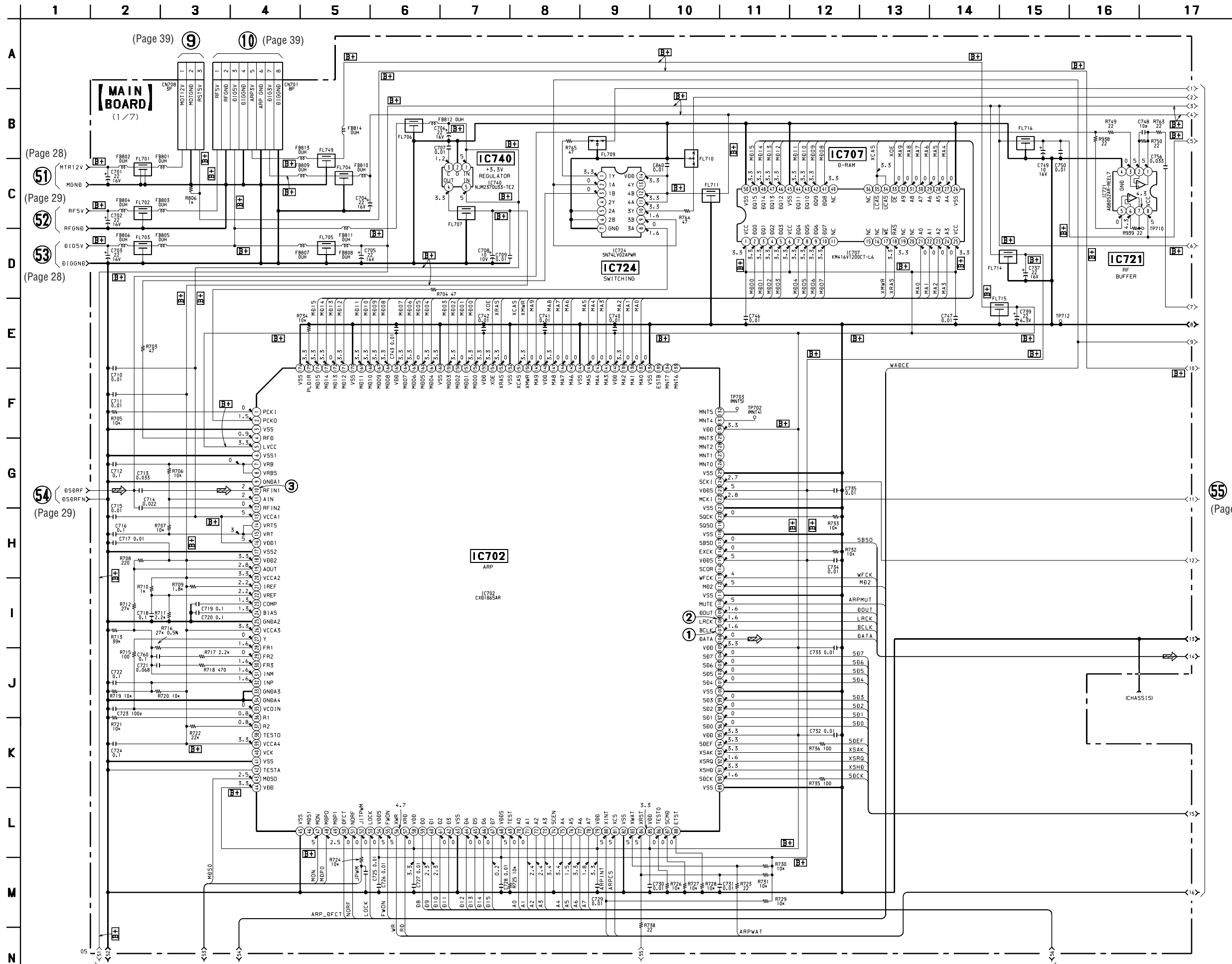


• Semiconductor Location

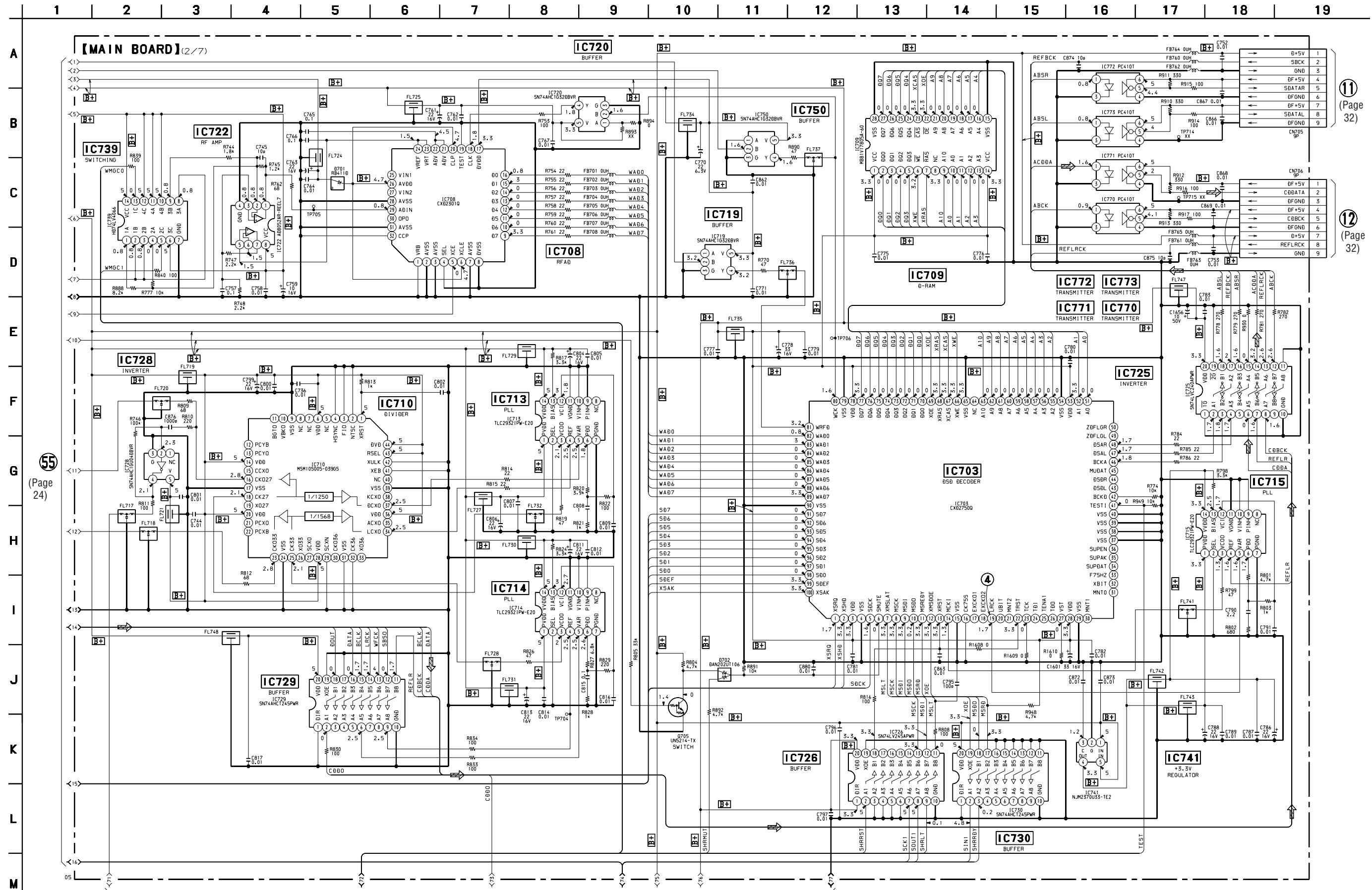
Ref. No.	Location
D504	L-11
D701	C-13
D1501	E-3
IC501	C-2
IC503	E-2
IC504	C-4
IC505	F-2
IC506	B-3
IC508	B-6
IC512	F-5
IC515	L-11
IC707	C-9
IC709	E-12
IC710	F-9
IC712	H-3
IC721	B-11
IC725	E-14
IC726	F-12
IC729	E-8
IC734	J-6
IC735	J-4
IC736	I-5
IC737	I-5
IC739	B-12
IC740	B-10
IC761	G-14
IC763	G-14
IC765	H-14
IC767	H-14
IC770	F-14
IC771	E-14
IC772	C-14
IC773	D-14
IC776	H-2
IC777	H-2
IC1502	B-3
Q501	L-13
Q502	L-13
Q506	C-4
Q508	B-3

15 14 13 12 11 10 9 8 7 6 5 4 3 2 1

7-8. SCHEMATIC DIAGRAM – MAIN Board (1/7) – • See page 40 for Waveforms.



7-9. SCHEMATIC DIAGRAM – MAIN Board (2/7) – • See page 40 for Waveforms. • See page 42 for IC Block Diagrams.



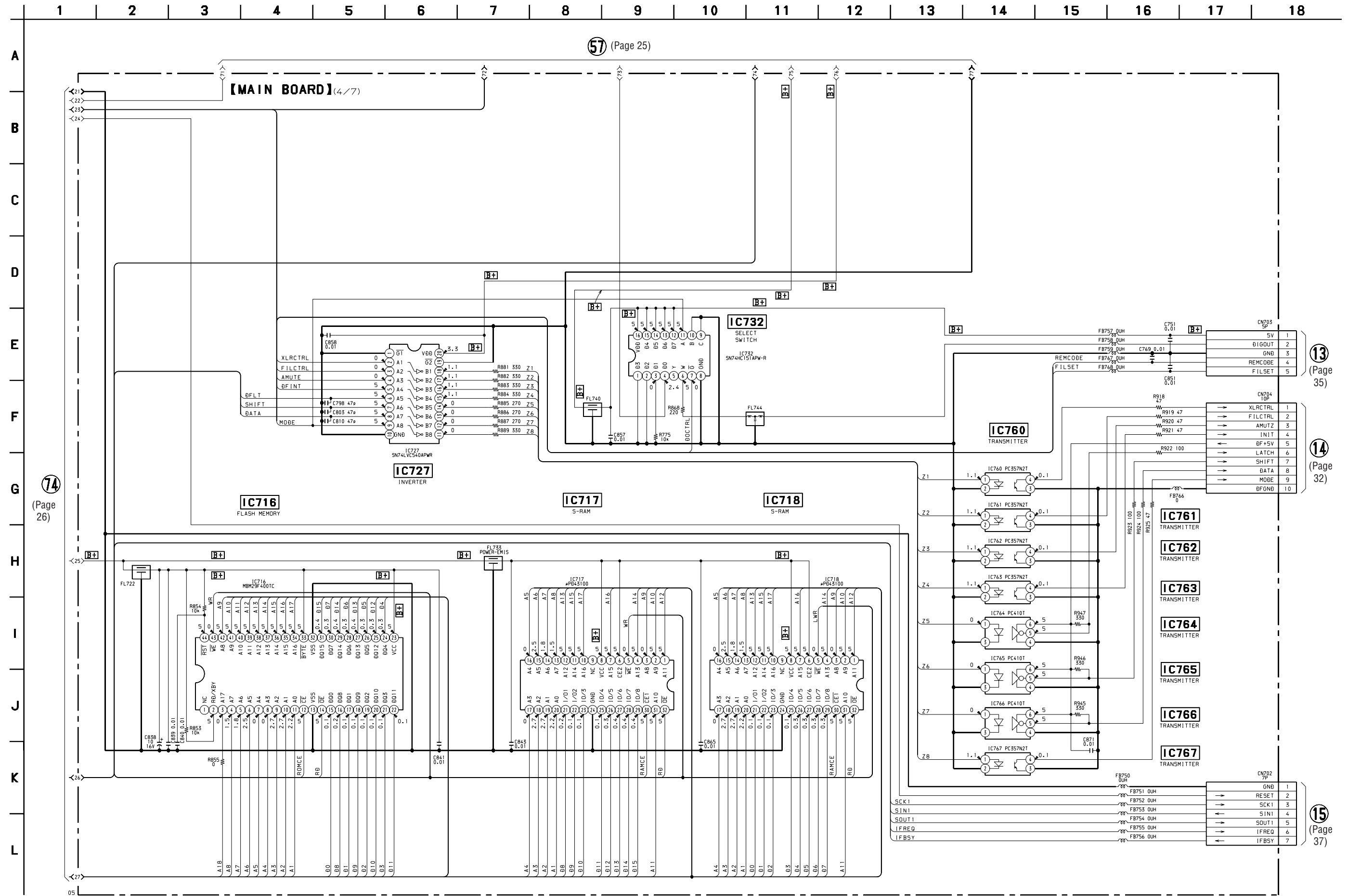
55 (Page 24)

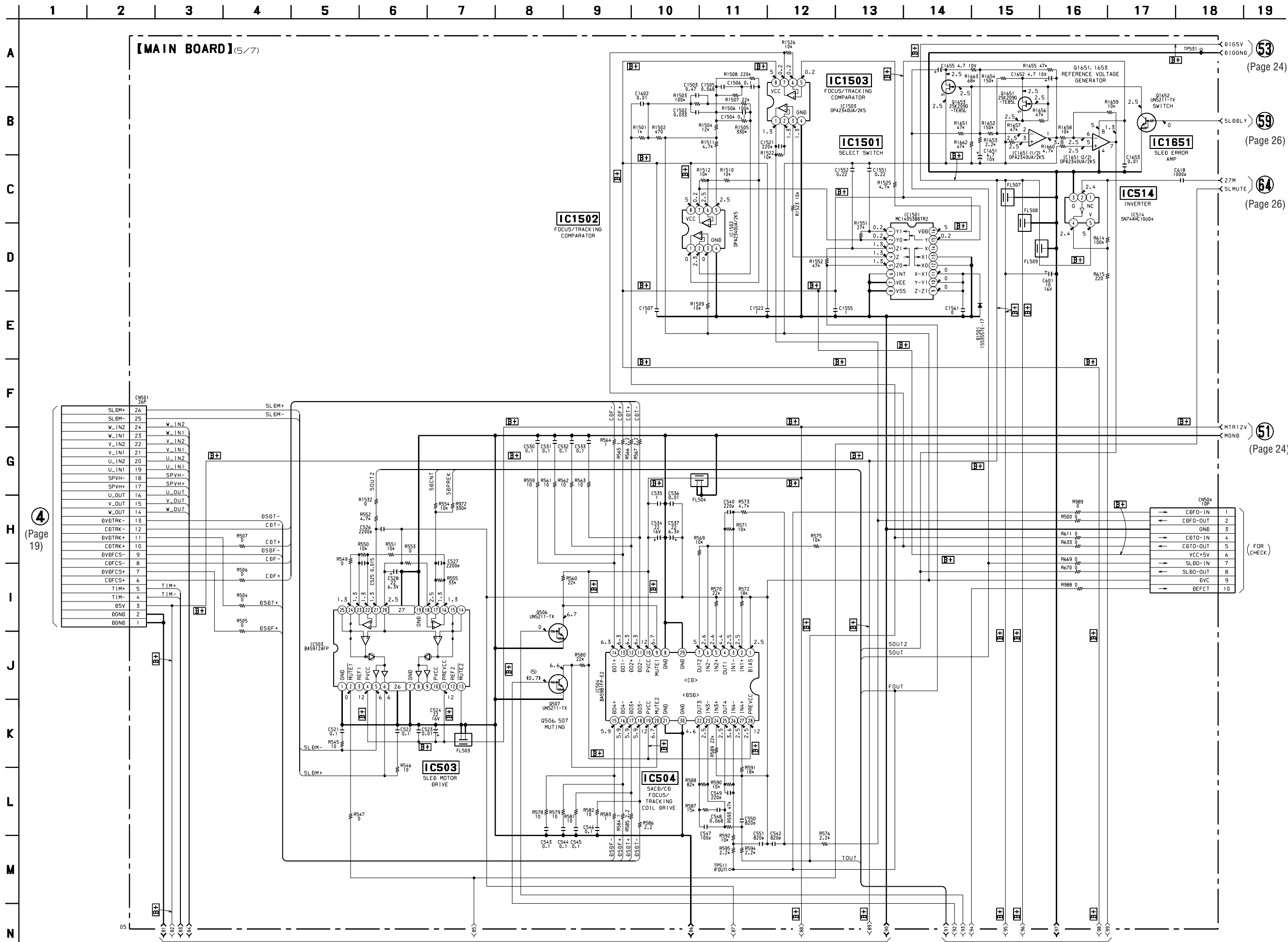
11 (Page 32)

12 (Page 32)

57 (Page 27)

7-11. SCHEMATIC DIAGRAM – MAIN Board (4/7) –





(Page 24)

(Page 26)

(Page 26)

(Page 24)

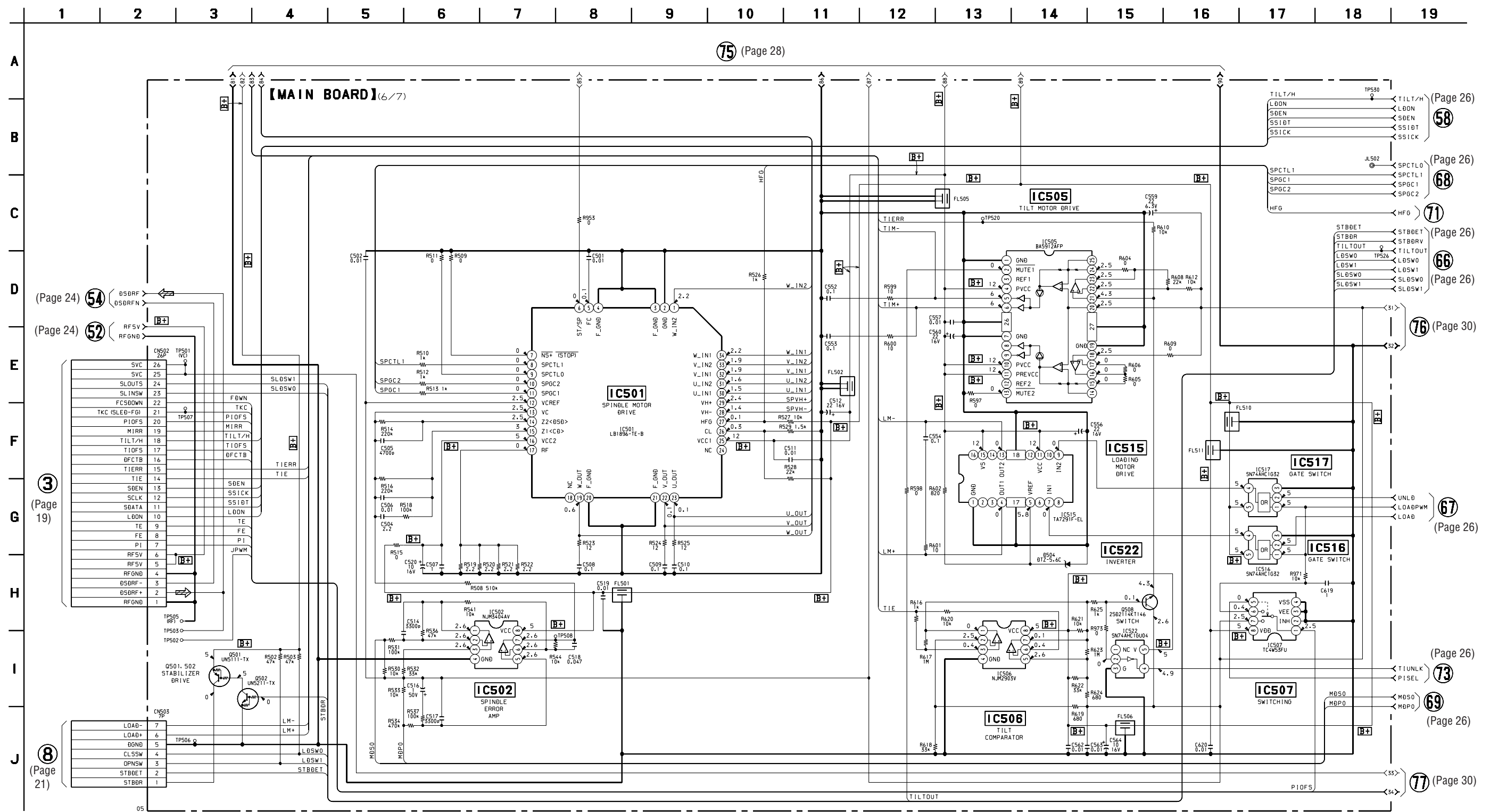
(FOR CHECK)

(75) (Page 29)

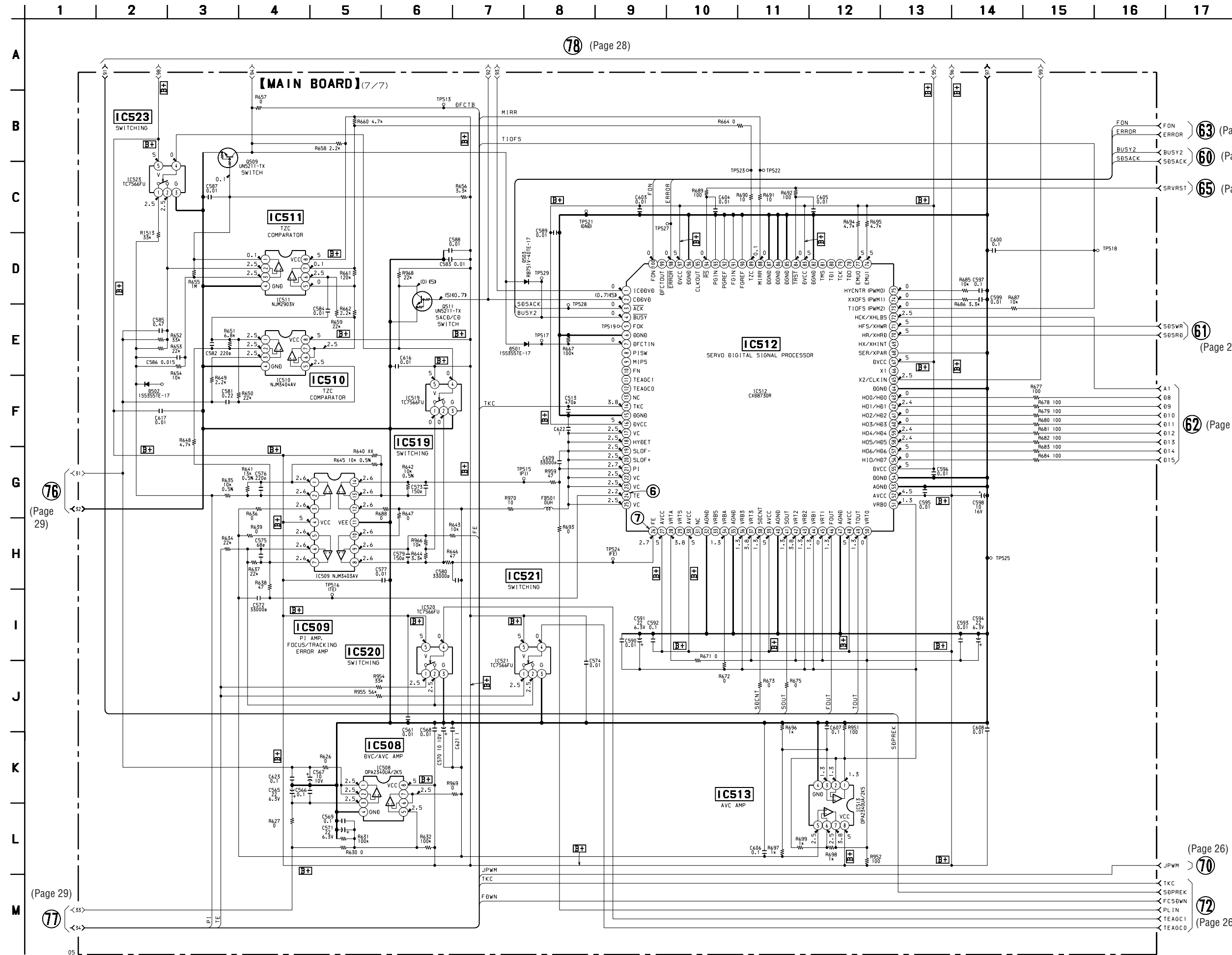
(78) (Page 30)

(4) (Page 19)

7-13. SCHEMATIC DIAGRAM – MAIN Board (6/7) – • See page 42 for IC Block Diagrams.



7-14. SCHEMATIC DIAGRAM – MAIN Board (7/7) – • See page 40 for Waveforms.



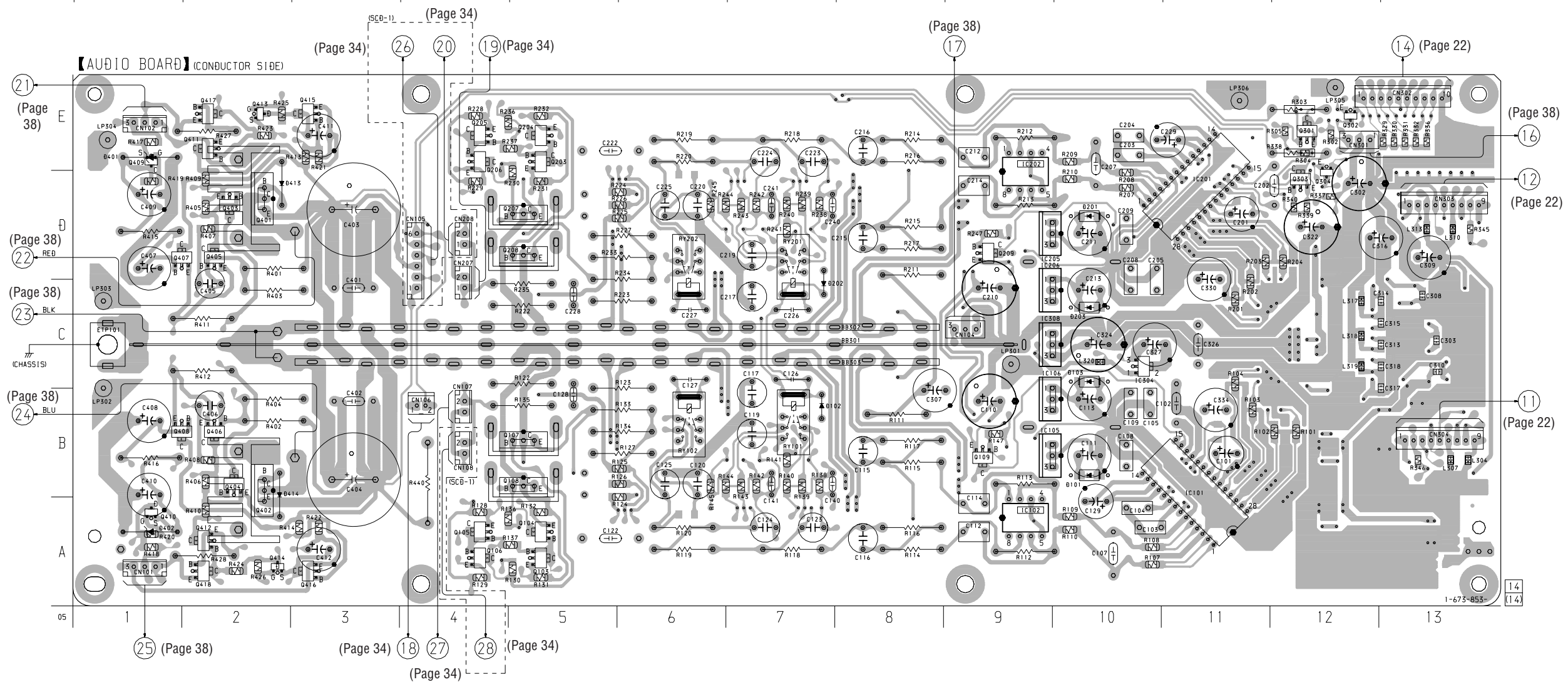
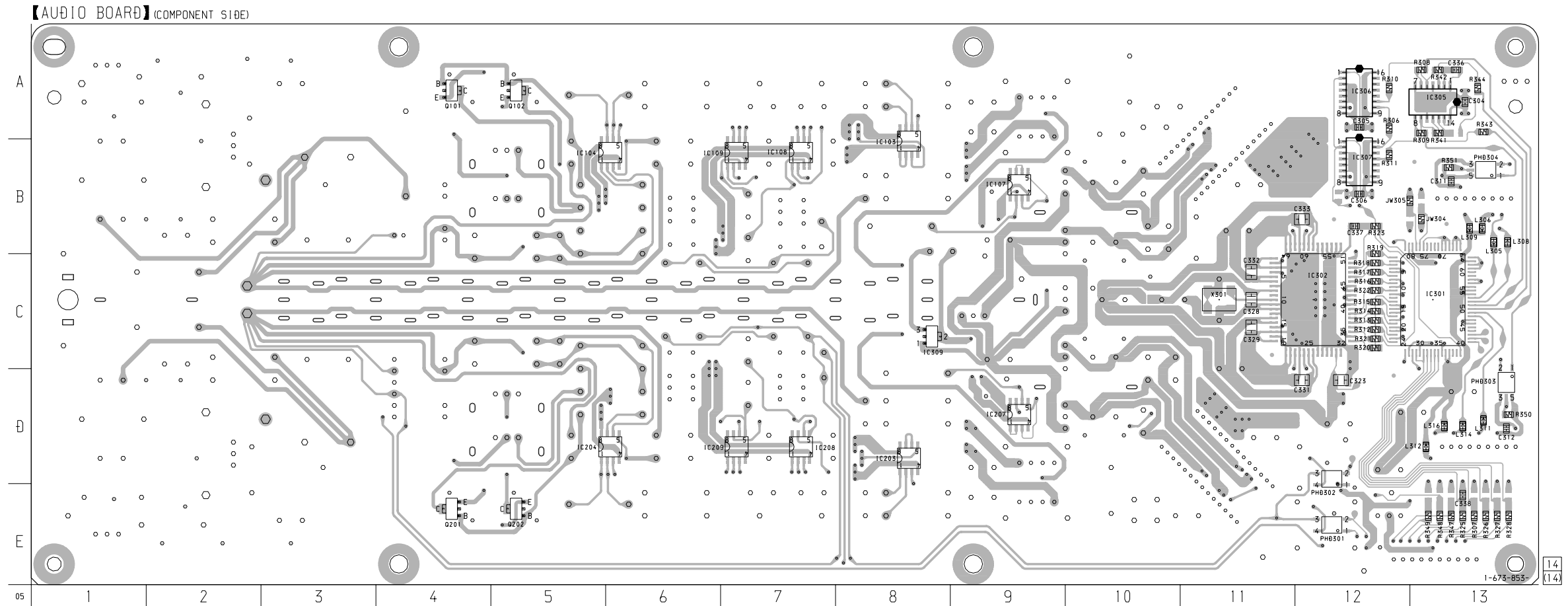
• Semiconductor Location (Conductor Side)

Ref. No.	Location
D101	B-10
D102	B-7
D103	C-10
D201	D-10
D202	C-7
D203	C-10
D401	E-1
D402	A-1
D413	D-2
D414	B-2
IC101	B-11
IC102	A-9
IC105	B-9
IC106	B-9
IC201	D-11
IC202	D-9
IC205	D-9
IC206	C-9
IC304	C-10
IC308	C-9
Q103	A-5
Q104	A-5
Q105	A-4
Q106	A-4
Q107	B-5
Q108	B-5
Q109	B-9
Q203	E-5
Q204	E-5
Q205	E-4
Q206	E-4
Q207	D-5
Q208	D-5
Q209	D-9
Q301	E-12
Q302	E-12
Q303	D-12
Q304	D-12
Q401	D-2
Q402	B-2
Q403	D-2
Q404	B-2
Q405	D-2
Q406	B-2
Q407	D-1
Q408	B-1
Q409	E-1
Q410	A-1
Q411	E-2
Q412	A-2
Q413	E-2
Q414	A-2
Q415	E-3
Q416	A-3
Q417	E-2
Q418	A-2

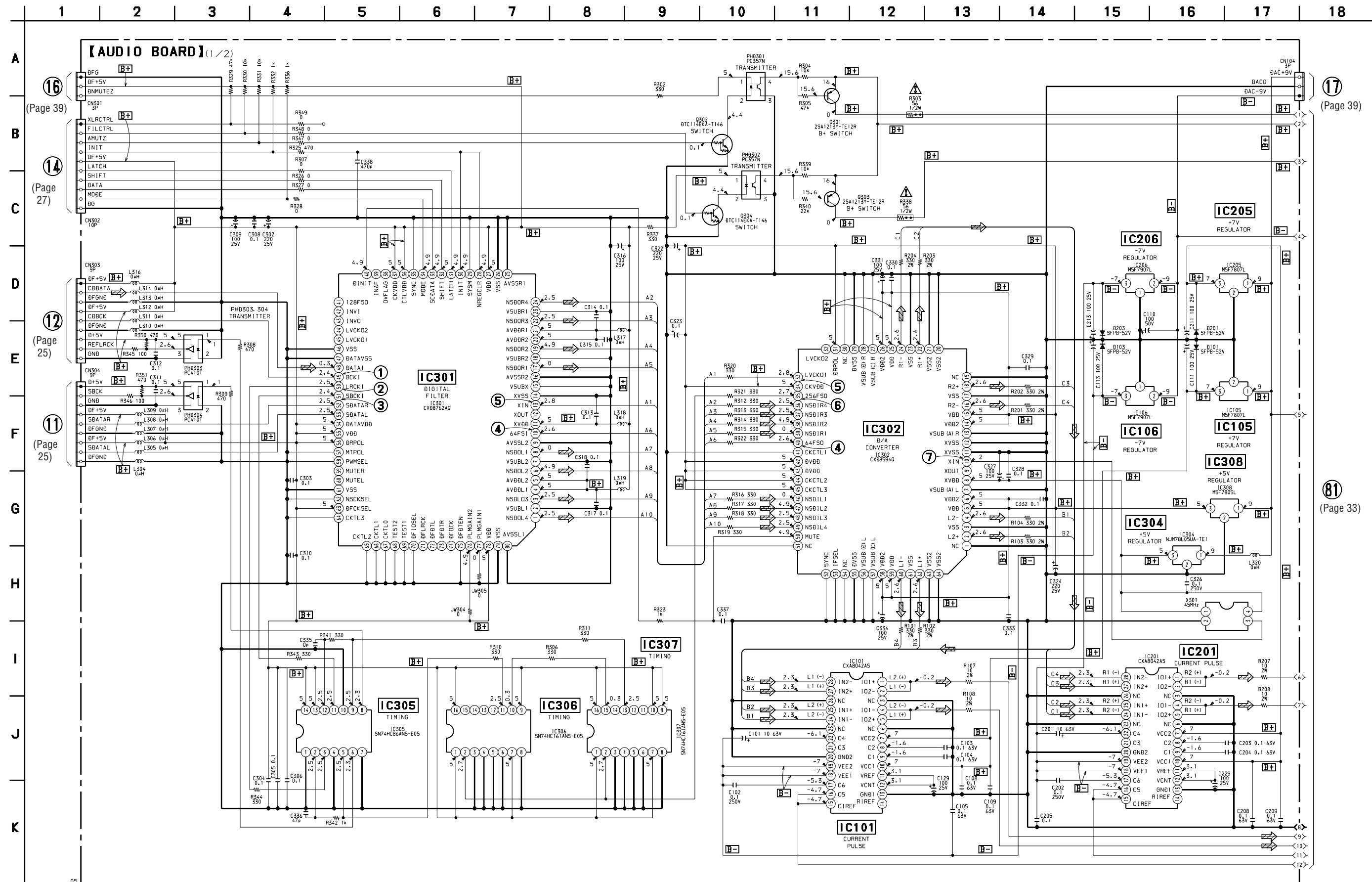
7-15. PRINTED WIRING BOARD – AUDIO Board – • See page 17 for Circuit Boards Location.

• Semiconductor Location (Component Side)

Ref. No.	Location
IC103	B-8
IC104	B-6
IC107	B-9
IC108	B-7
IC109	B-7
IC203	D-8
IC204	D-6
IC207	D-9
IC208	D-7
IC209	D-7
IC301	C-13
IC302	C-12
IC305	A-13
IC306	A-12
IC307	B-12
IC309	C-8
PHD301	E-12
PHD302	D-12
PHD303	D-13
PHD304	B-13
Q101	A-4
Q102	A-5
Q201	E-4
Q202	E-5



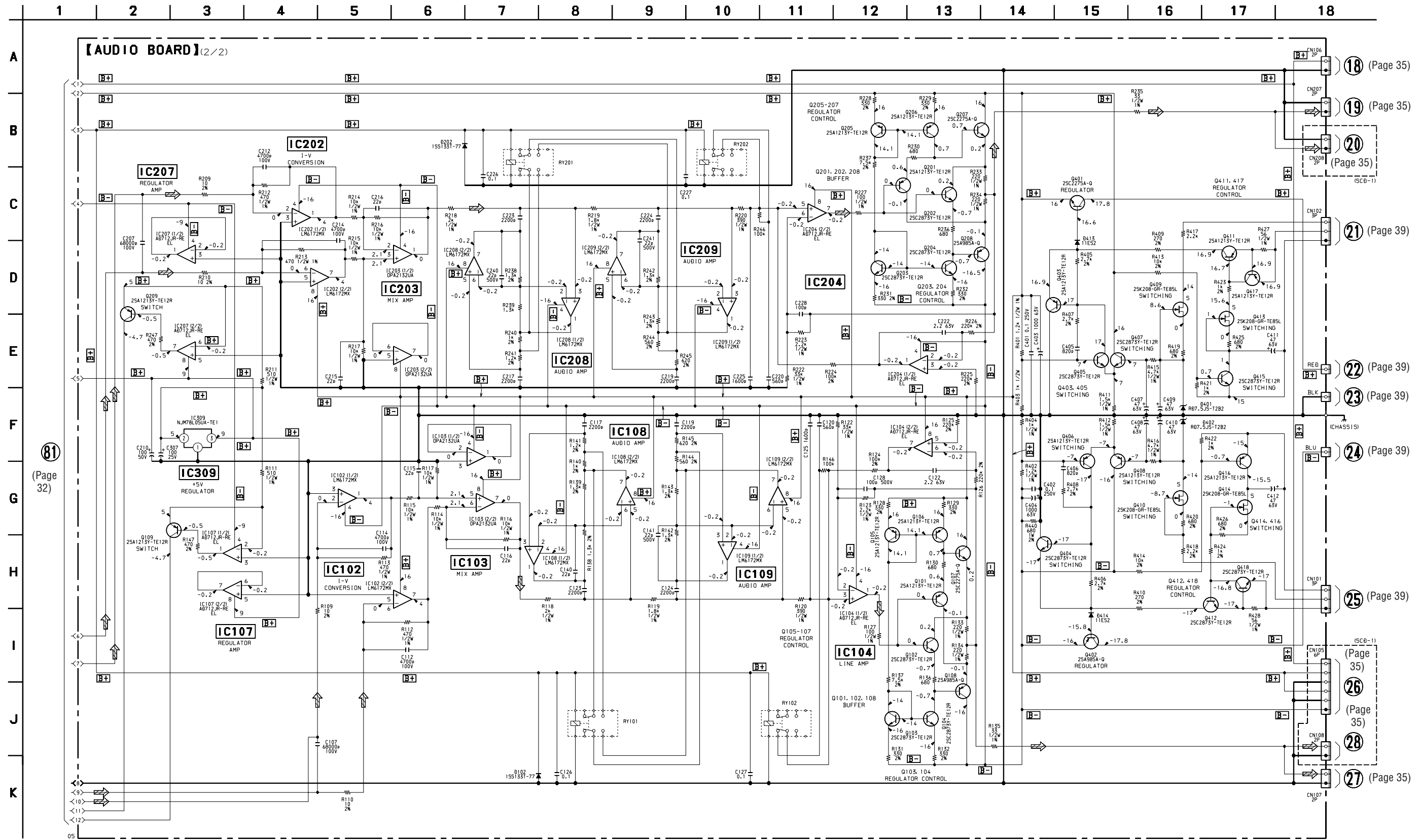
7-16. SCHEMATIC DIAGRAM – AUDIO Board (1/2) – • See page 40 for Waveforms. • See page 41 for IC Block Diagrams.



The components identified by mark Δ or dotted line with mark Δ are critical for safety. Replace only with part number specified.

Les composants identifiés par une marque Δ sont critiques pour la sécurité. Ne les remplacer que par une pièce portant le numéro spécifié.

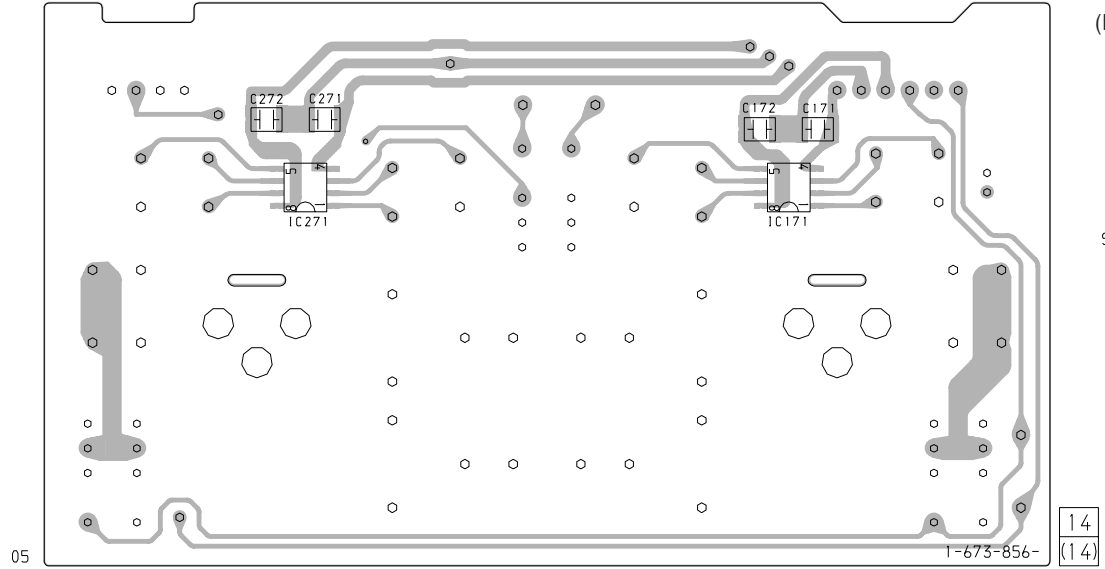
7-17. SCHEMATIC DIAGRAM – AUDIO Board (2/2) – • See page 40 for Waveforms.



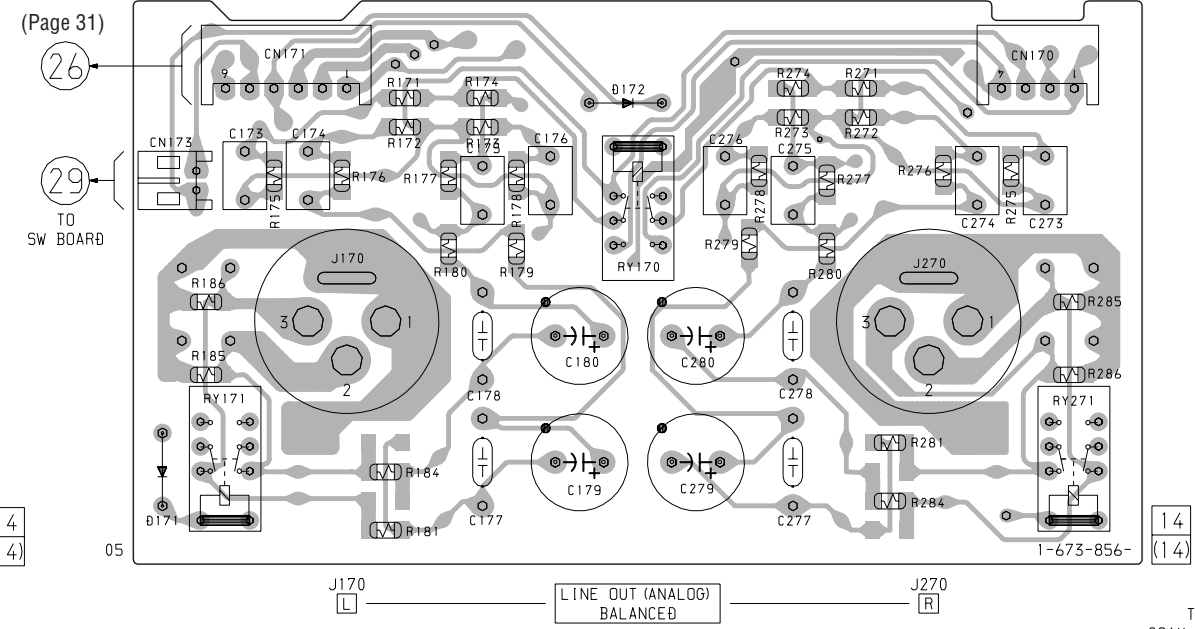
7-18. PRINTED WIRING BOARDS – BAL (SCD-1)/COAX/OPT/PIN/SW Boards – • See page 17 for Circuit Boards Location.

(Page 31) (Page 31)

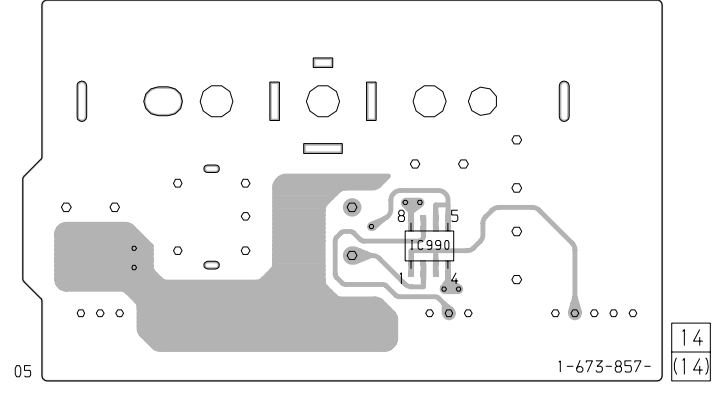
【BAL BOARD】(COMPONENT SIDE) (SCD-1)



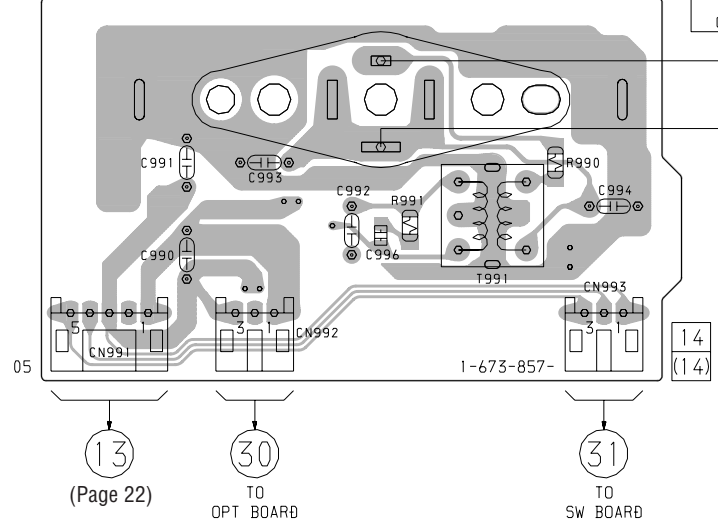
【BAL BOARD】(CONDUCTOR SIDE) (SCD-1)



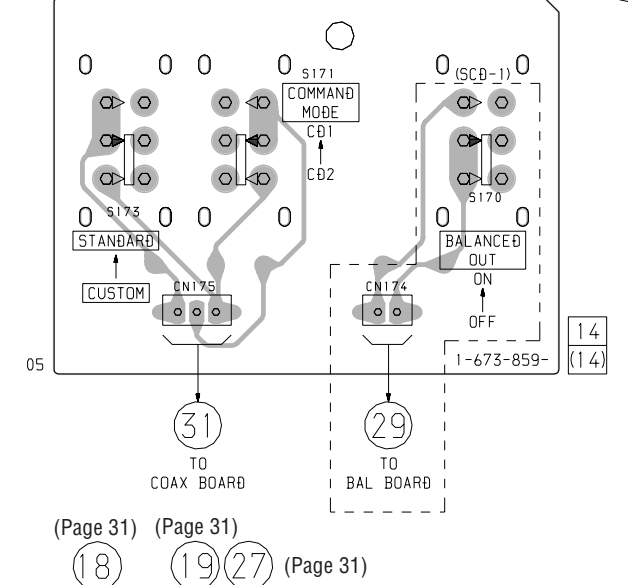
【COAX BOARD】(COMPONENT SIDE)



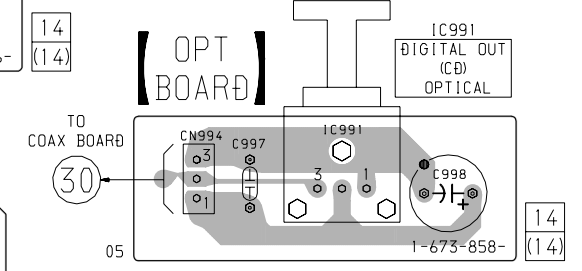
【COAX BOARD】(CONDUCTOR SIDE)



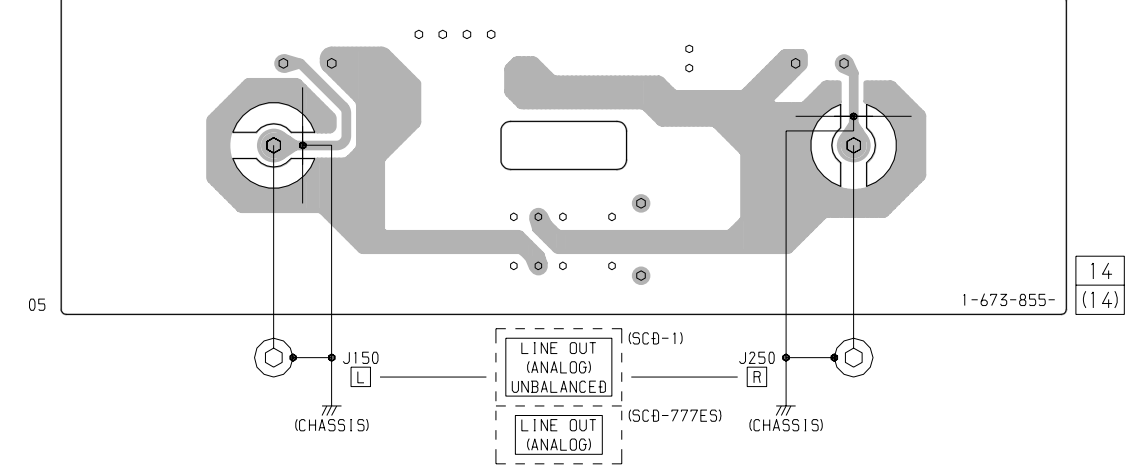
【SW BOARD】



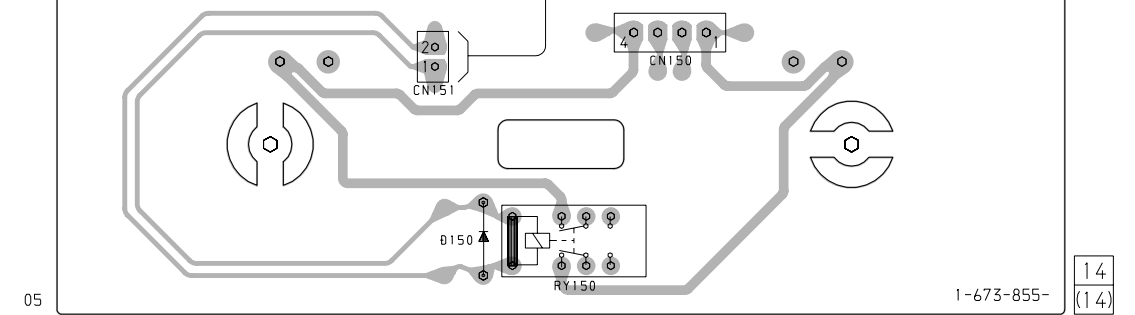
【OPT BOARD】



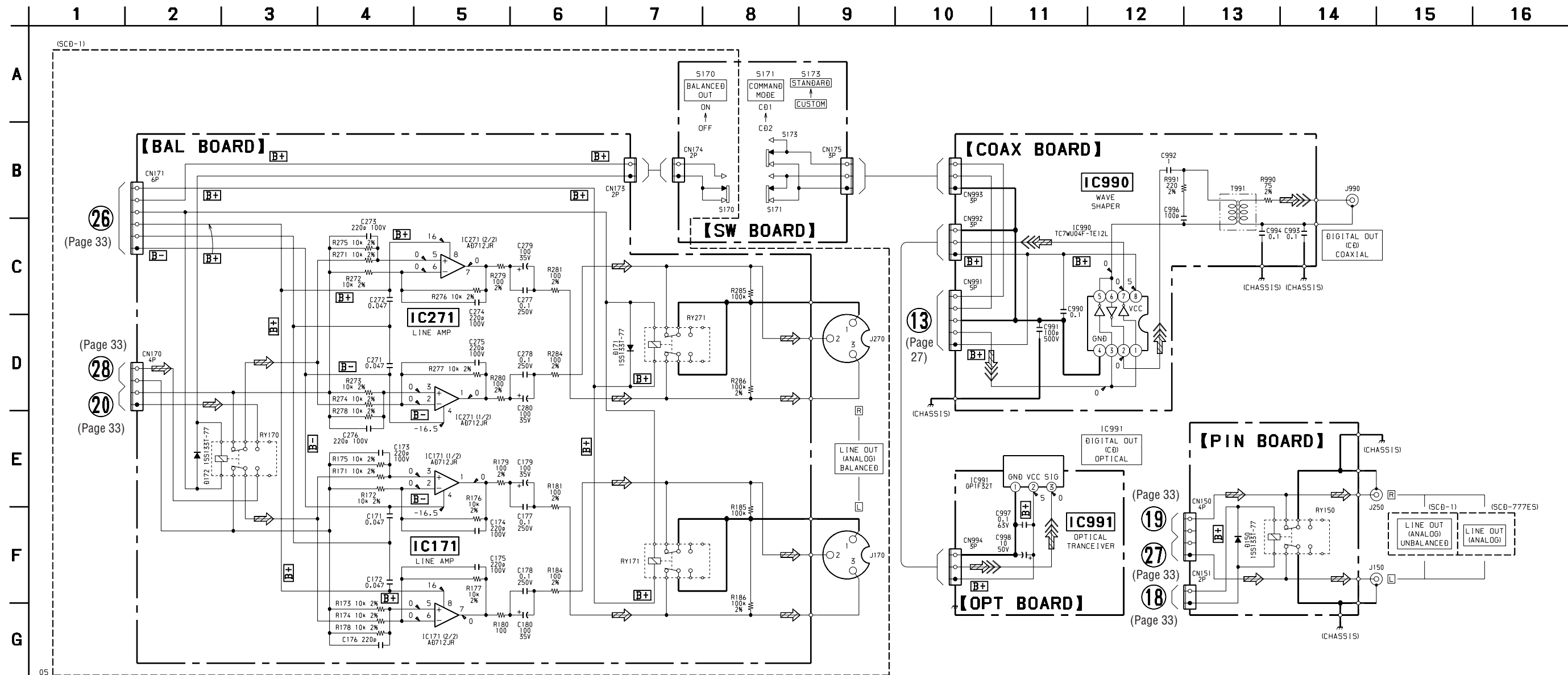
【PIN BOARD】(COMPONENT SIDE)



【PIN BOARD】(CONDUCTOR SIDE)



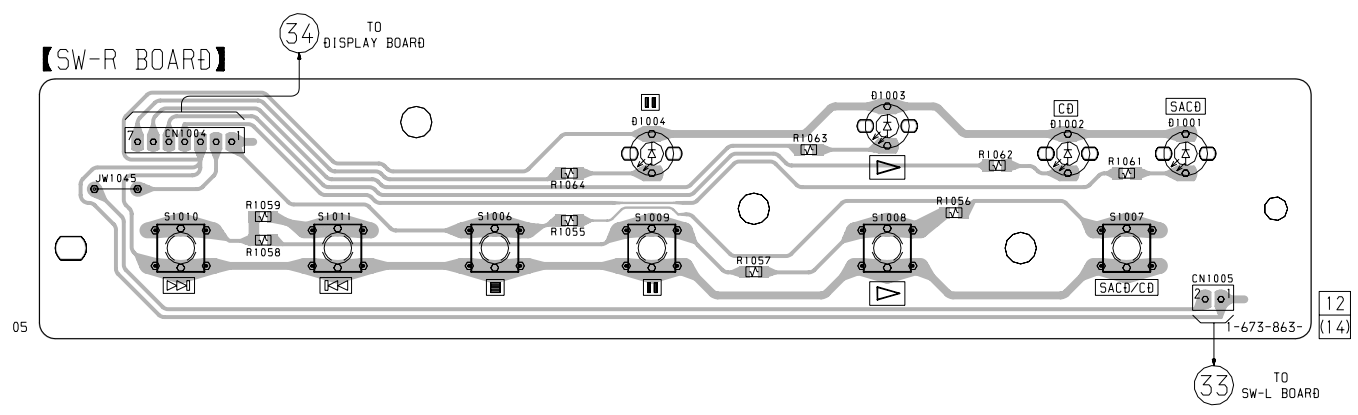
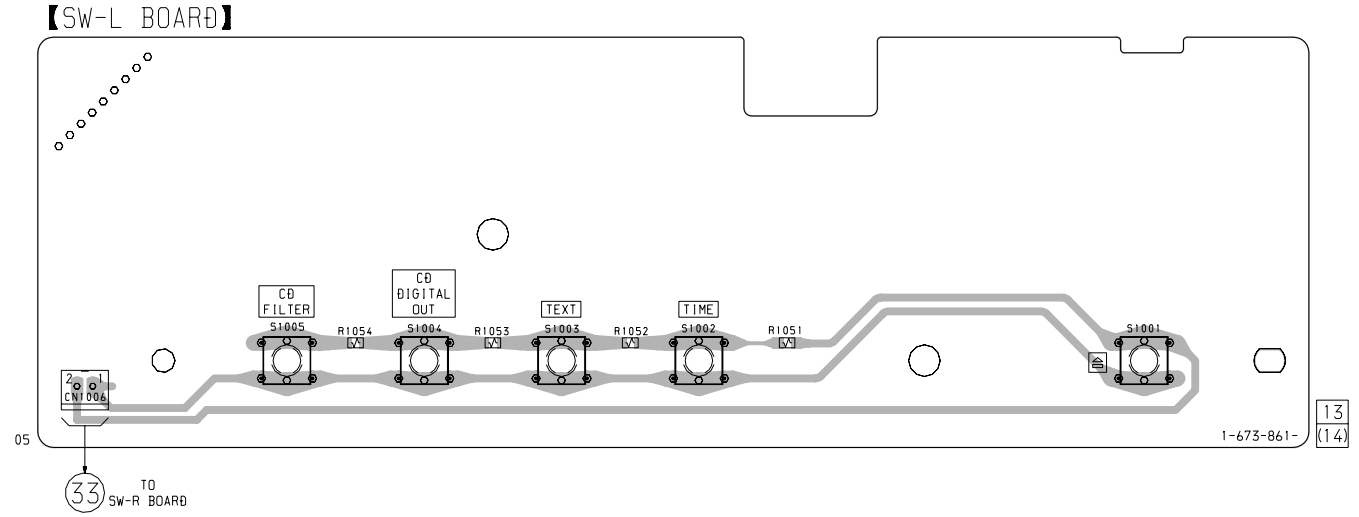
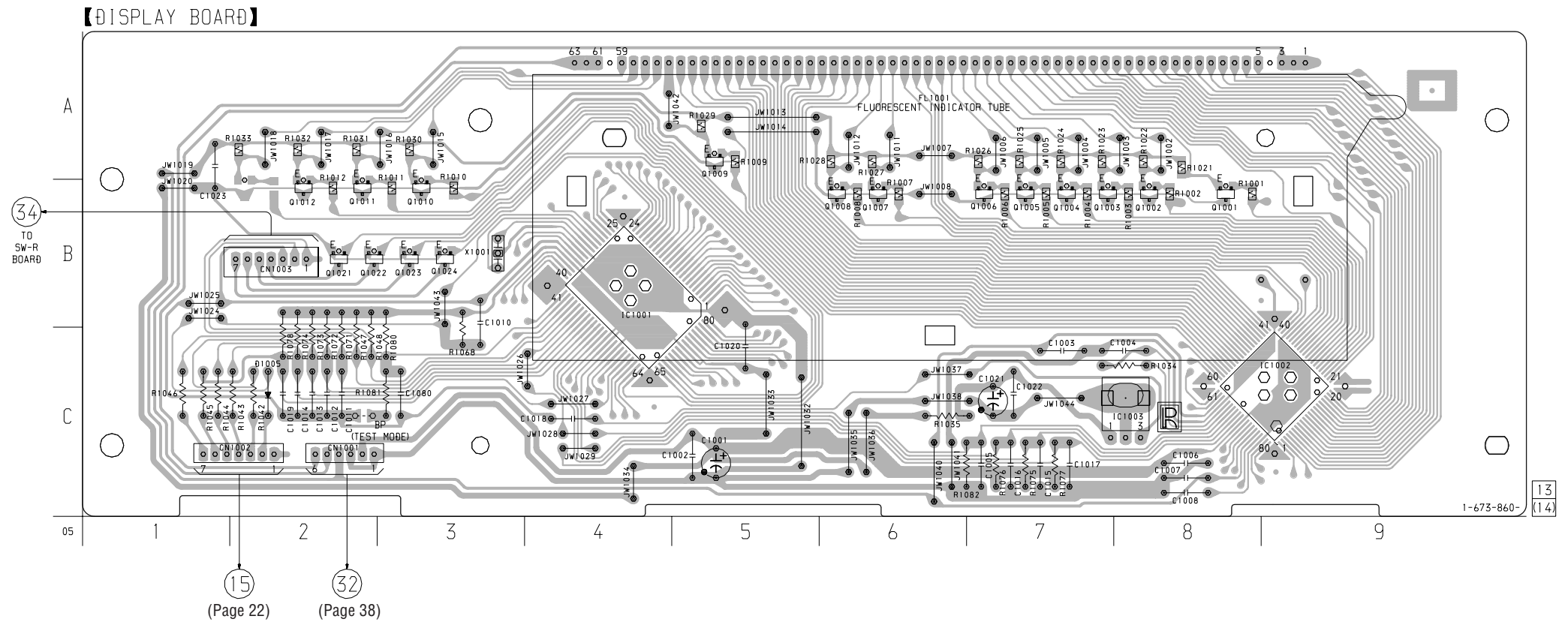
7-19. SCHEMATIC DIAGRAM – BAL (SCD-1)/COAX/OPT/PIN/SW Boards –



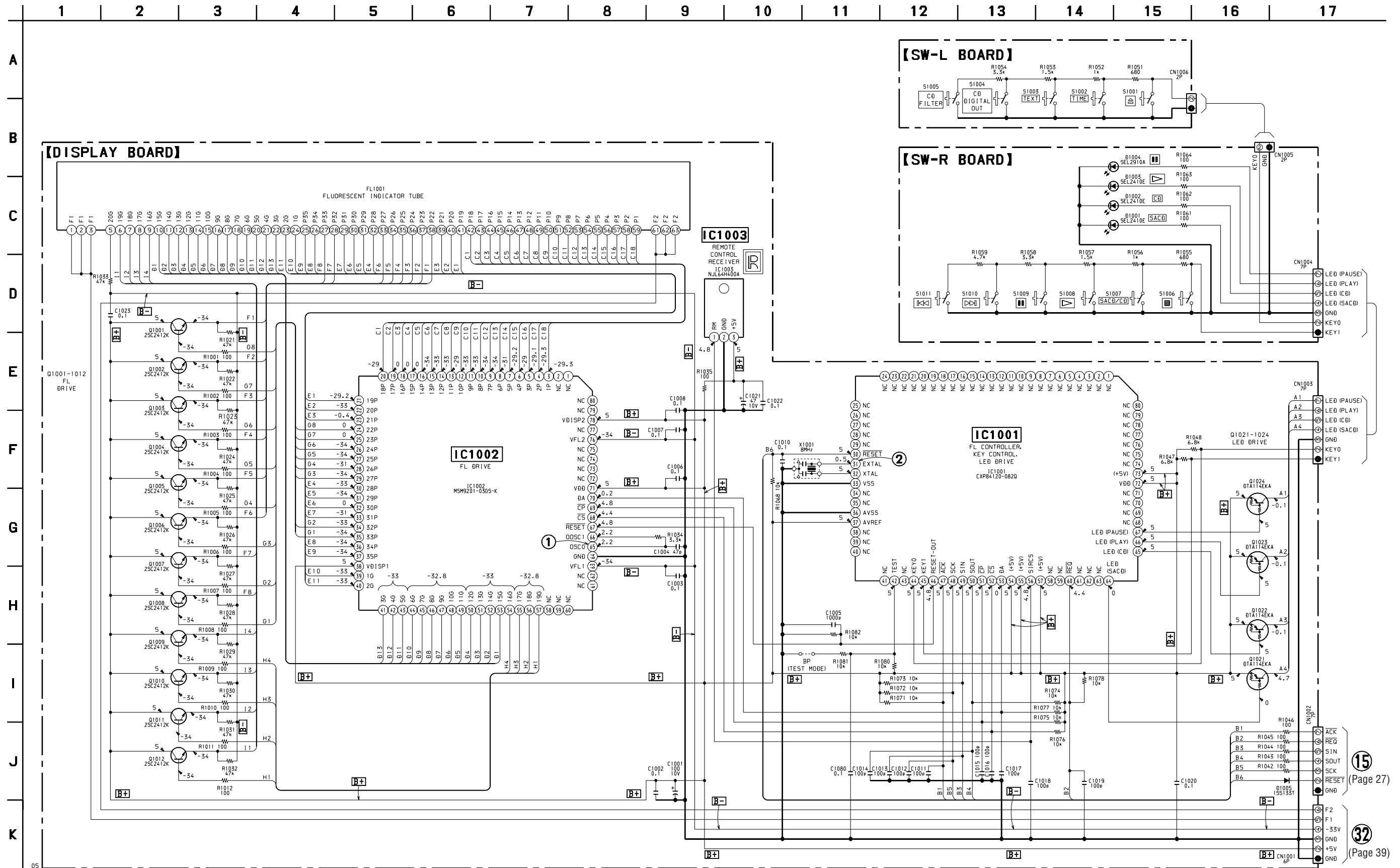
7-20. PRINTED WIRING BOARDS – DISPLAY/SW-L/SW-R Boards – • See page 17 for Circuit Boards Location.

• Semiconductor Location
Location
–DISPLAY Board–

Ref. No.	Location
D1005	C-2
IC1001	B-4
IC1002	C-9
IC1003	C-8
Q1001	B-8
Q1002	B-8
Q1003	B-7
Q1004	B-7
Q1005	B-7
Q1006	B-7
Q1007	B-6
Q1008	B-6
Q1009	A-5
Q1010	B-3
Q1011	B-2
Q1012	B-2
Q1021	B-2
Q1022	B-2
Q1023	B-3
Q1024	B-3



7-21. SCHEMATIC DIAGRAM – DISPLAY/SW-L/SW-R Boards – • See page 40 for Waveforms.

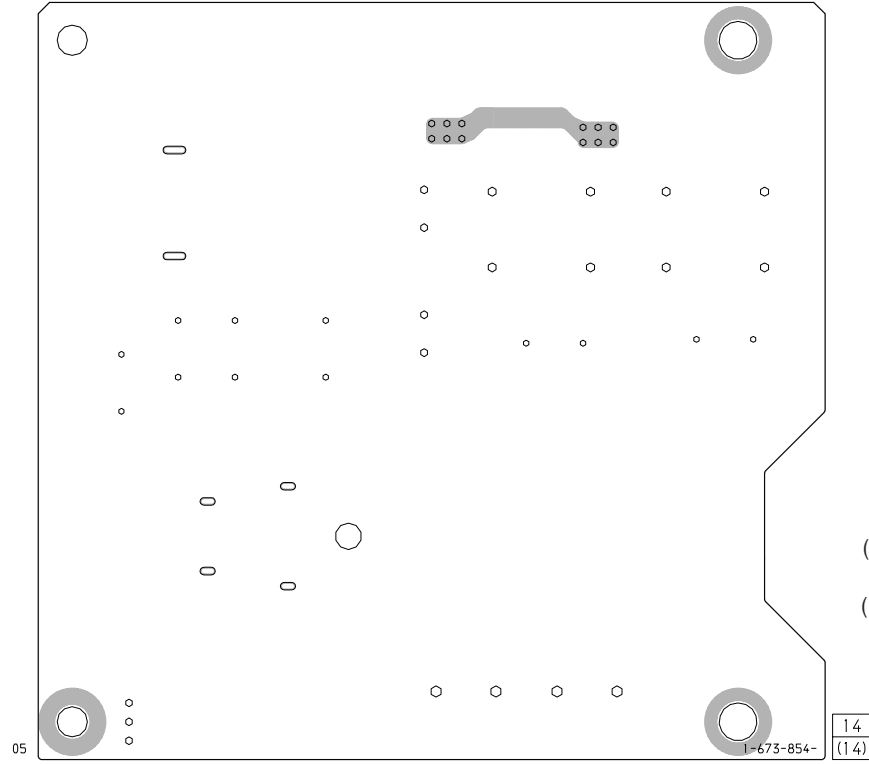


15 (Page 27)

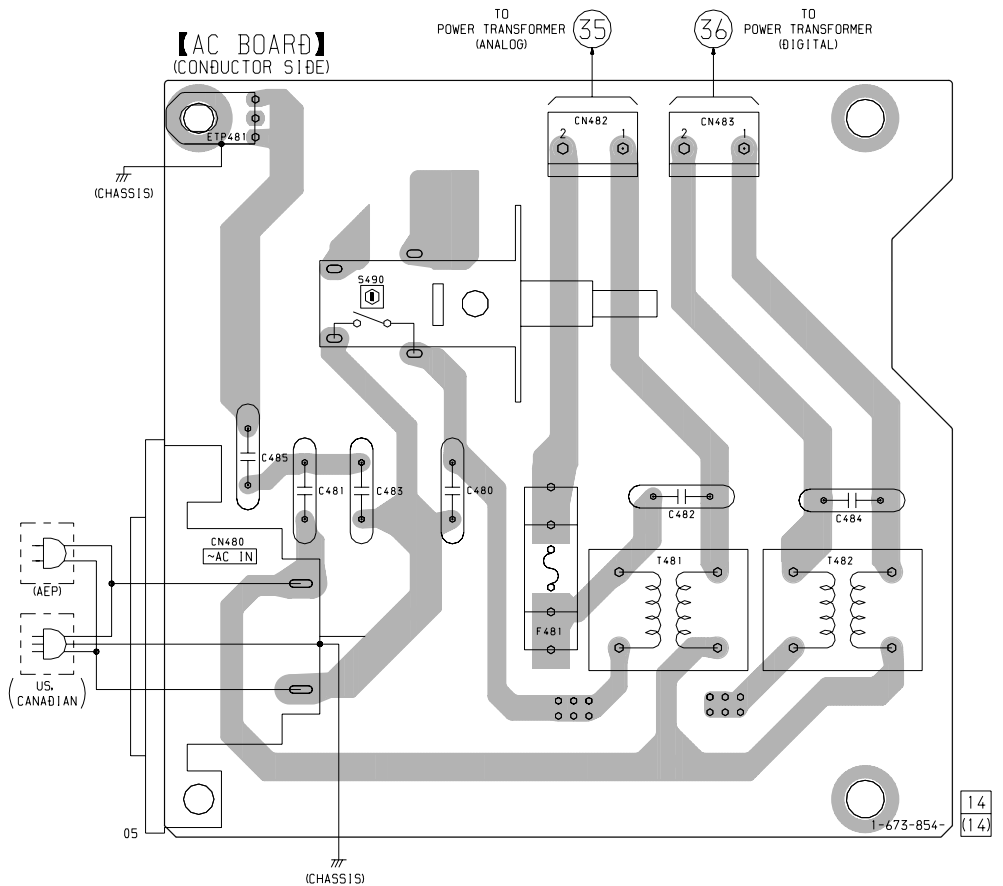
32 (Page 39)

7-22. PRINTED WIRING BOARDS – AC/POWER Boards – • See page 17 for Circuit Boards Location.

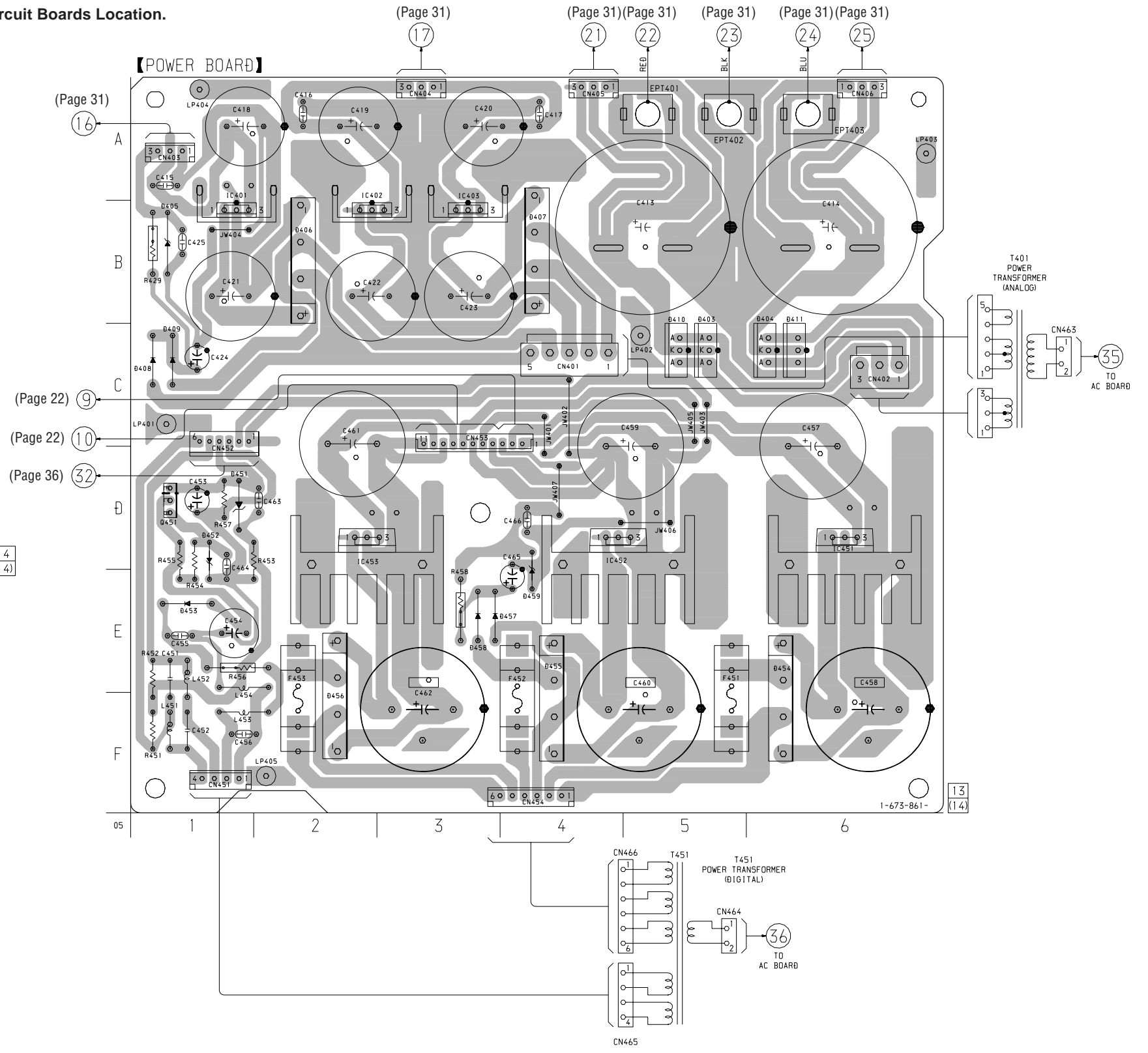
【AC BOARD】 (COMPONENT SIDE)



【AC BOARD】 (CONDUCTOR SIDE)



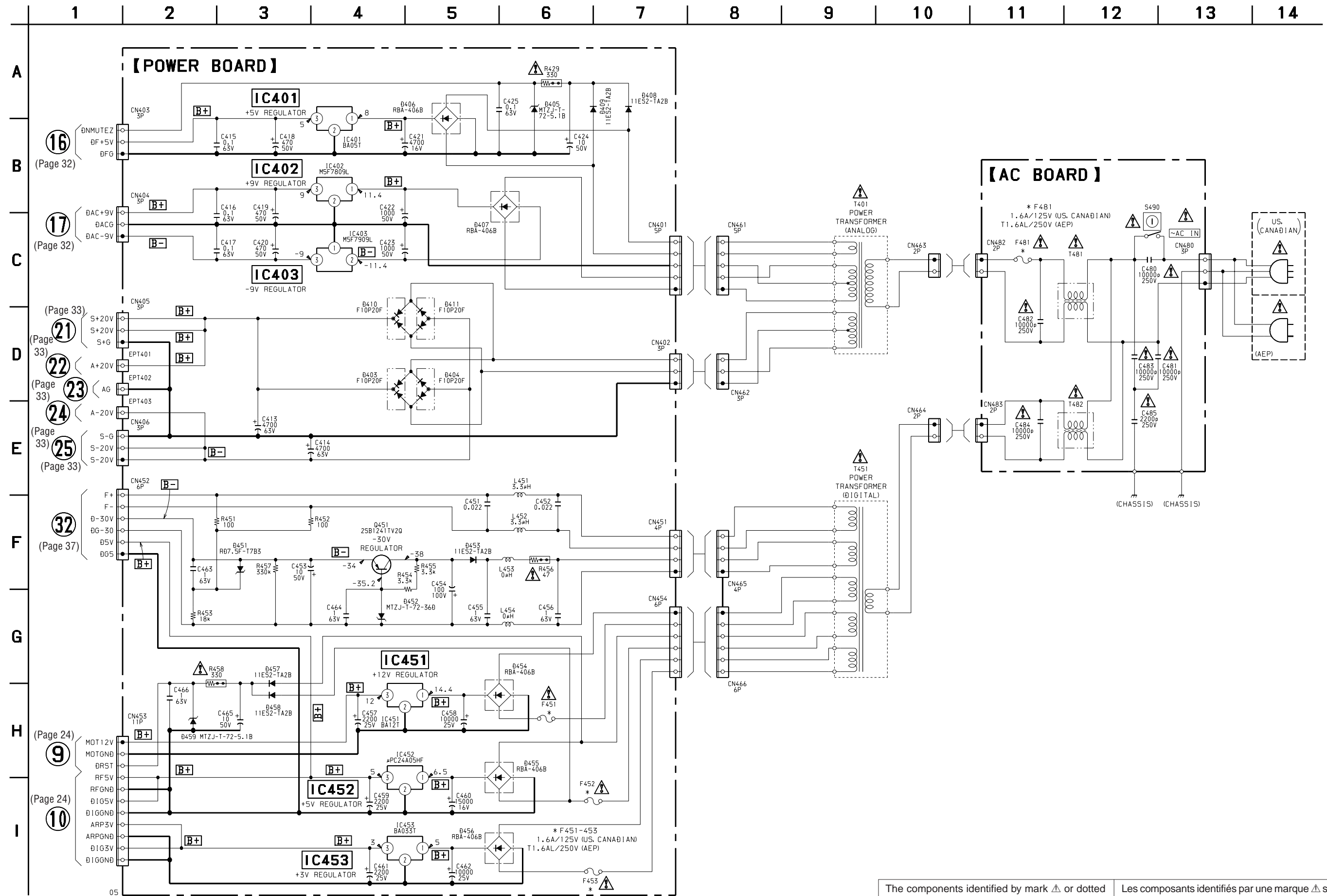
【POWER BOARD】



• Semiconductor Location –POWER Board–

Ref. No.	Location	Ref. No.	Location	Ref. No.	Location	Ref. No.	Location
D403	C-5	D410	C-5	D456	F-2	IC403	B-3
D404	C-6	D411	C-6	D457	E-3	IC451	D-6
D405	B-1	D451	D-1	D458	E-3	IC452	D-4
D406	B-2	D452	D-1	D459	E-4	IC453	D-2
D407	B-4	D453	E-1				
D408	C-1	D454	F-6	IC401	B-1	Q451	D-1
D409	C-1	D455	F-4	IC402	B-2		

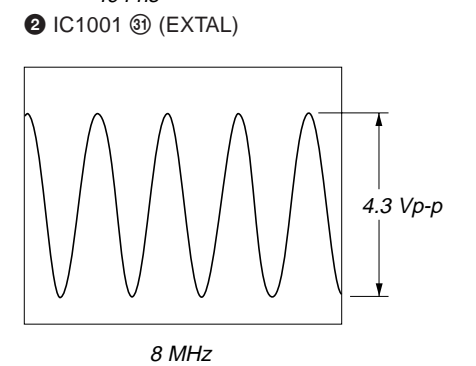
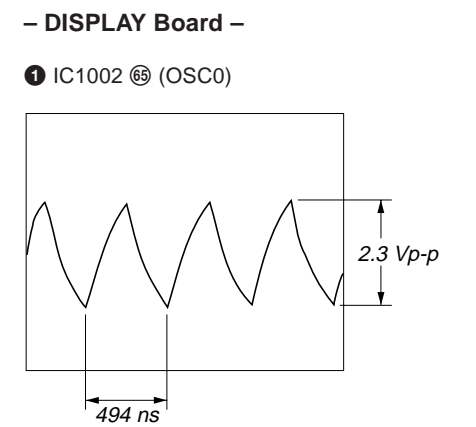
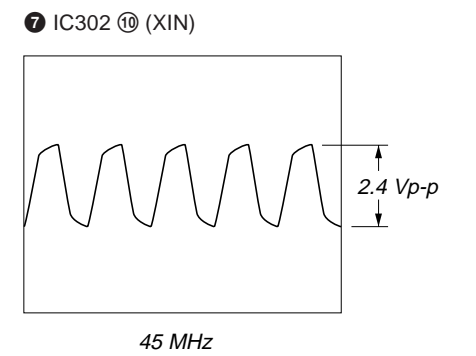
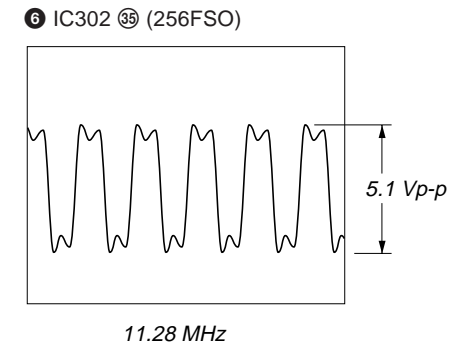
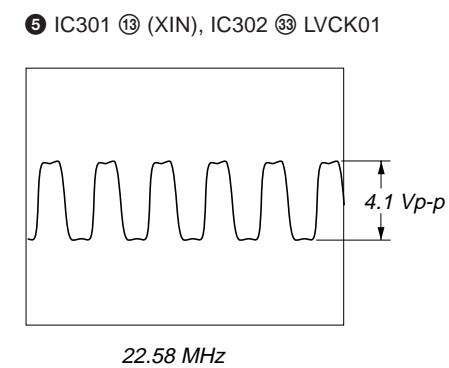
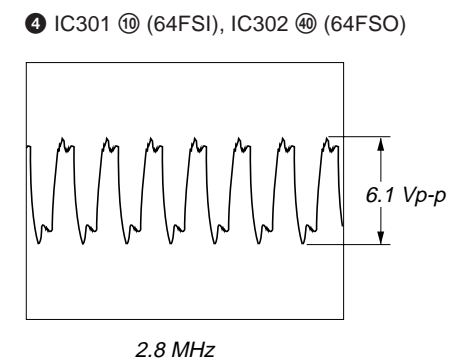
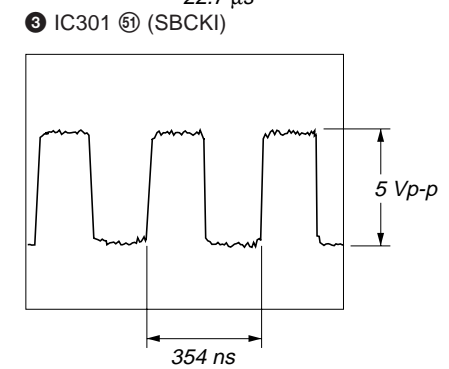
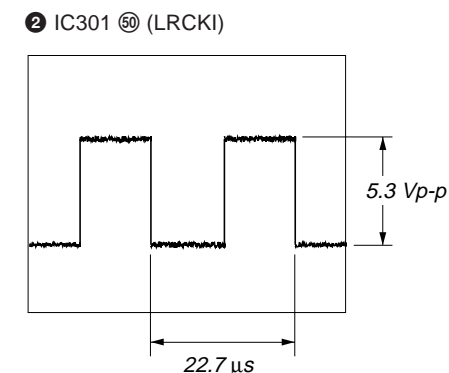
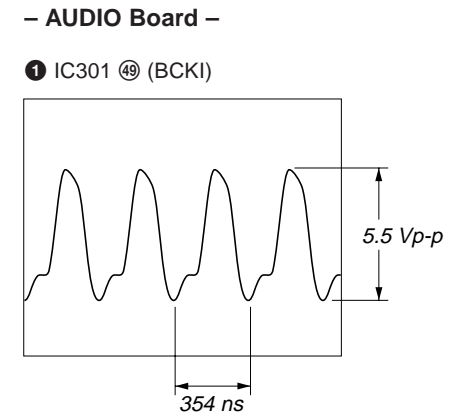
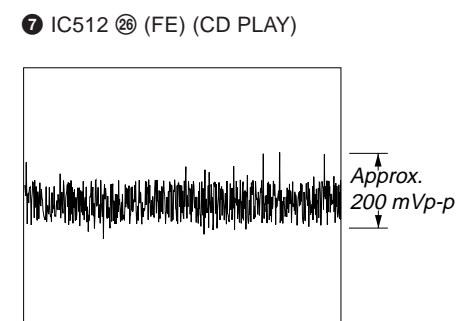
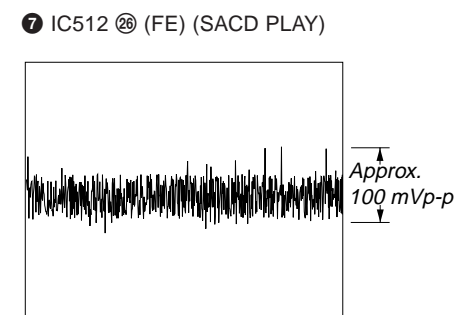
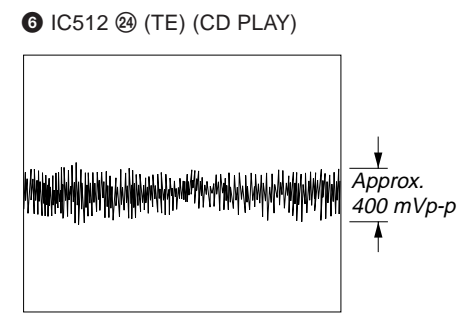
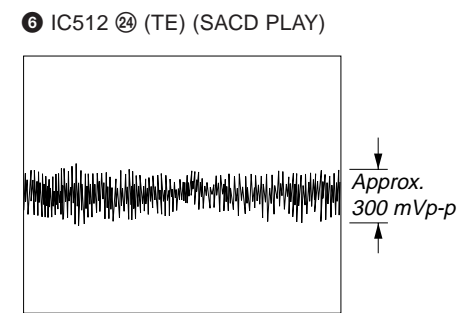
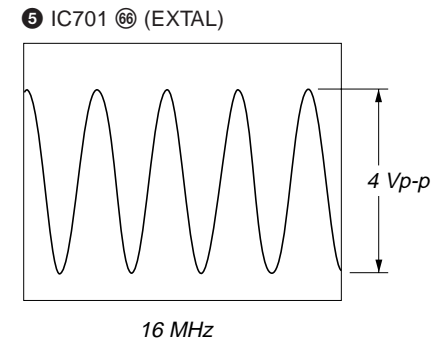
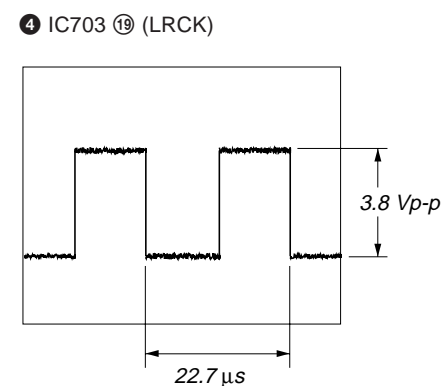
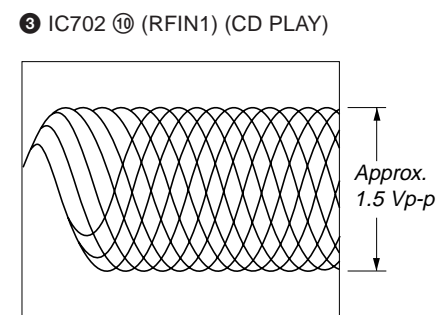
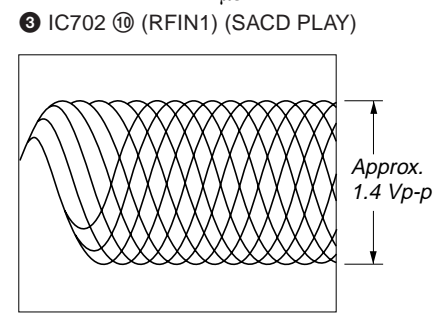
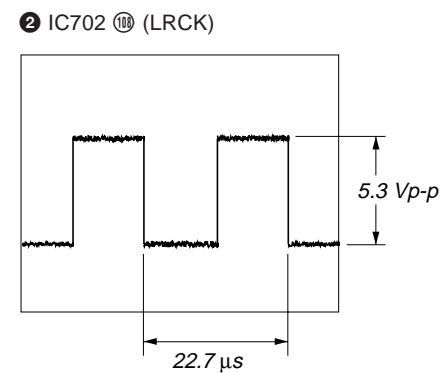
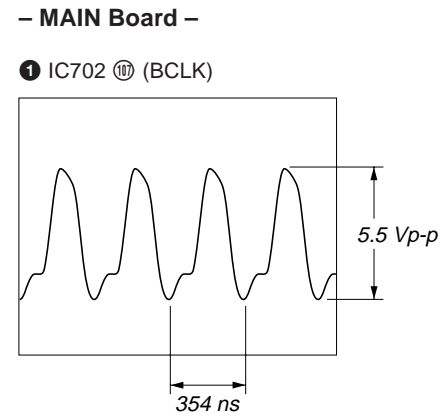
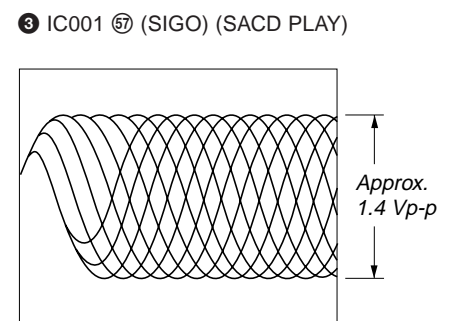
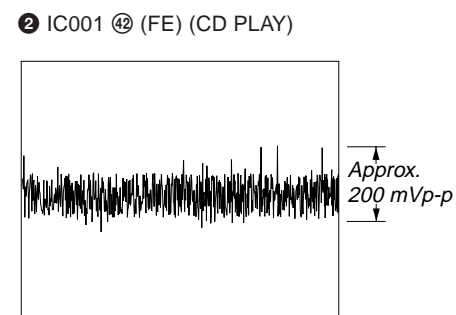
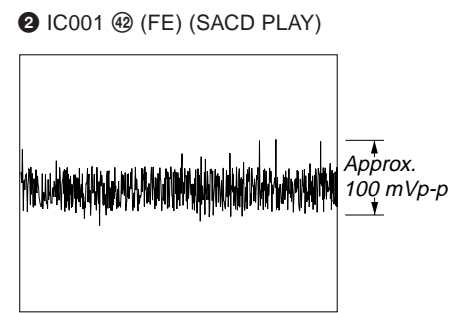
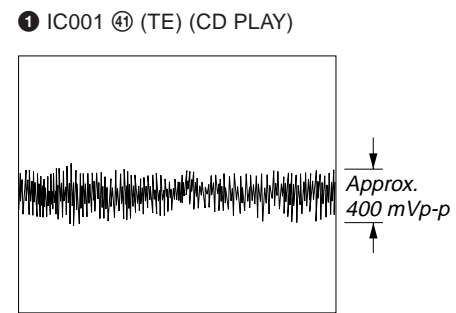
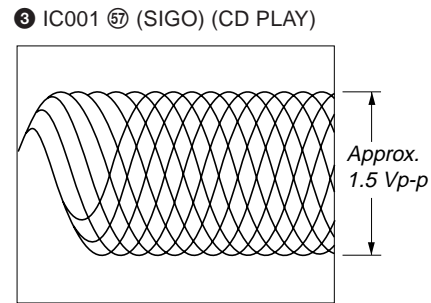
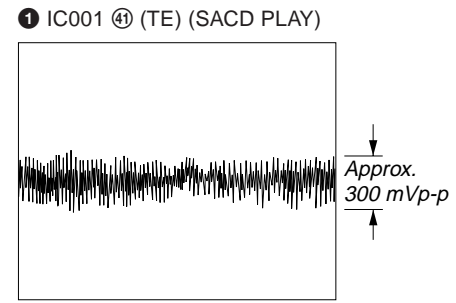
7-23. SCHEMATIC DIAGRAM – AC/POWER Boards –



The components identified by mark Δ or dotted line with mark Δ are critical for safety. Replace only with part number specified.

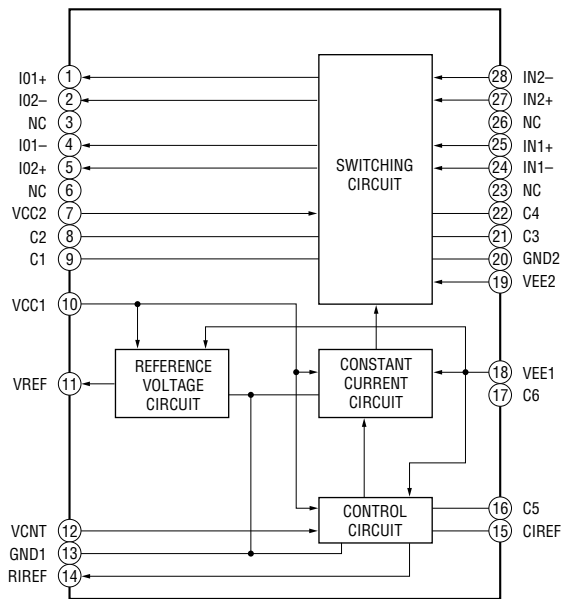
Les composants identifiés par une marque Δ sont critiques pour la sécurité. Ne les remplacer que par une pièce portant le numéro spécifié.

• Waveforms
– RF Board –

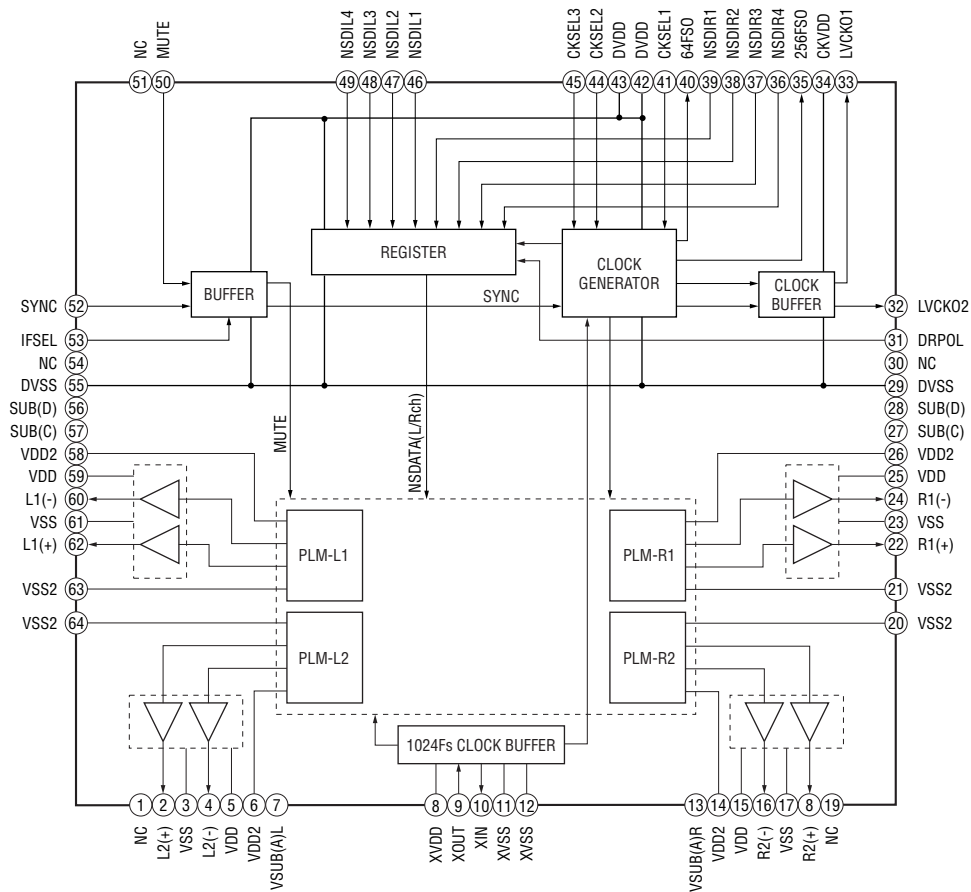


• IC Block Diagrams
– AUDIO Board –

IC101, 201 CXA8042AS

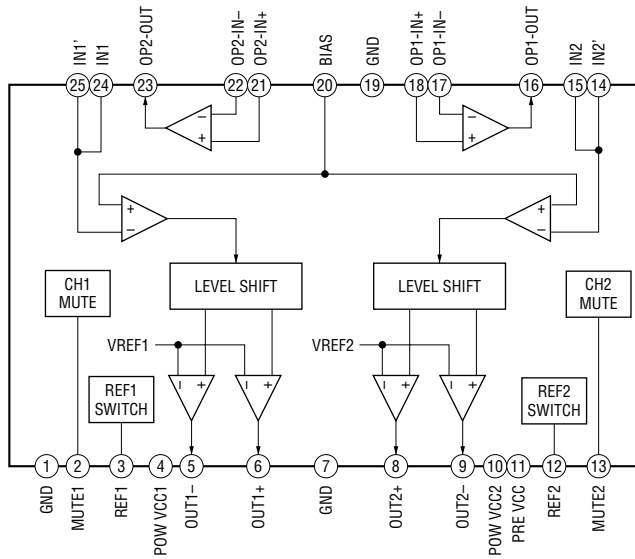


IC302 CXD8594Q



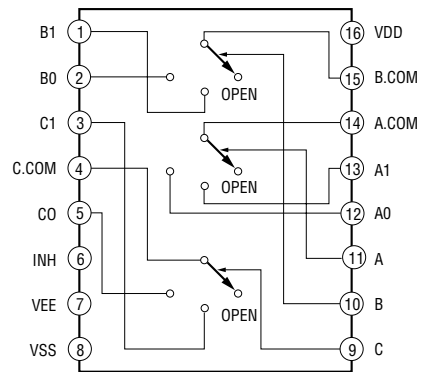
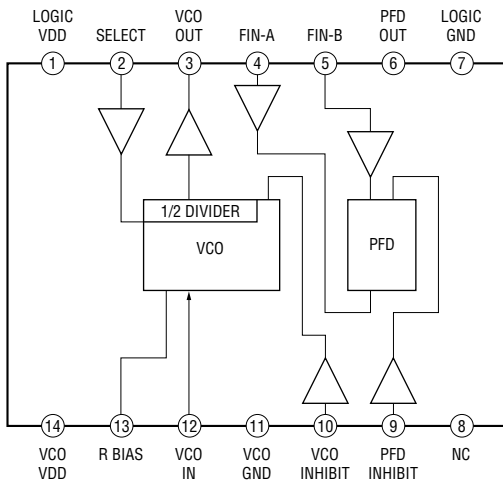
– MAIN Board –

IC503, 505 BA5912AFP-YE2



IC713, 714, 715 TLC2932IPW-E20

IC1501 MC14053BDTR2



7-24. IC PIN FUNCTION DESCRIPTION

• MAIN BOARD IC701 HD6413002F16 (CPU)

Pin No.	Pin Name	I/O	Description
1	VCC	—	Power supply terminal (+5V)
2	SSSD	I/O	Two-way data bus with the SACD/CD RF AMP (IC001)
3	SSI CLK	O	Serial data transfer clock signal output to the SACD/CD RF AMP (IC001)
4	PWM	O	PWM signal output to the loading motor drive (IC515)
5	JIG CTR	I/O	Two-way data bus with the RS-232C (for check)
6	DF LT	O	Latch signal output to the digital filter (IC301)
7	DCMF LT	O	Not used (open)
8	DATA	O	Serial data output to the digital filter (IC301)
9	SHIFT	O	SHIFT signal output to the digital filter (IC301)
10	X RES0	O	Not used (open)
11	VSS	—	Ground terminal
12	SOUT0	O	Serial data output to the RS-232C (for check)
13	SOUT1	O	Serial data output to the DSD decoder (IC703)
14	SIN0	I	Serial data input from the RS-232C (for check)
15	SIN1	I	Serial data input from the DSD decoder (IC703)
16	SCK0	O	Serial data output to the RS-232C (for check)
17	SCK1	O	Serial data output to the DSD decoder (IC703)
18	D0	I/O	Two-way data bus with the expander (IC712) , flash memory (IC716) and S-RAM (IC718)
19	D1	I/O	
20	D2	I/O	
21	D3	I/O	
22	VSS	—	Ground terminal
23	D4	I/O	Two-way data bus with the expander (IC712) , flash memory (IC716) and S-RAM (IC718)
24	D5	I/O	
25	D6	I/O	
26	D7	I/O	
27	D8	I/O	Two-way data bus with the servo digital signal processor (IC512), ARP (IC702), expander (IC711), flash memory (IC716) and S-RAM (IC717)
28	D9	I/O	
29	D10	I/O	
30	D11	I/O	
31	D12	I/O	
32	D13	I/O	
33	D14	I/O	
34	D15	I/O	
35	VCC	—	Power supply terminal (+5V)
36	A0	O	Address signal output to the ARP (IC702)
37	A1	O	Address signal output to the servo digital signal processor (IC512), ARP (IC702), expander (IC711, 712), flash memory (IC716) and S-RAM (IC717, 718)
38	A2	O	Address signal output to the ARP (IC702), expander (IC711, 712), flash memory (IC716) and S-RAM (IC717, 718)
39	A3	O	
40	A4	O	Address signal output to the ARP (IC702), flash memory (IC716) and S-RAM (IC717, 718)
41	A5	O	
42	A6	O	
43	A7	O	
44	VSS	—	Ground terminal

Pin No.	Pin Name	I/O	Description
45	A8	O	Address signal output to the flash memory (IC716) and S-RAM (IC717, 718)
46	A9	O	
47	A10	O	
48	A11	O	
49	A12	O	
50	A13	O	
51	A14	O	
52	A15	O	
53	A16	O	
54	A17	O	
55	A18	O	Address signal output to the flash memory (IC716)
56	A19	O	Address signal output terminal Not used (open)
57	VSS	—	Ground terminal
58	$\overline{\text{WAIT}}$	I	Wait signal input from the ARP (IC702)
59	EEP SIO	I/O	Two-way data bus with the EEPROM (IC735)
60	EEP SCL	O	clock signal output to the EEPROM (IC735)
61	CLK	O	System clock output terminal Not used (open)
62	$\overline{\text{STBY}}$	I	Hardware standby signal input terminal (fixed at “H”)
63	$\overline{\text{RES}}$	I	System reset signal input from the ARP (IC702) and reset signal generator (IC734) “L”: reset For several hundreds msec. after the power supply rises, “L” is input, then it changes to “H”
64	NMI	I	NMI signal input terminal Not used (pull up)
65	VSS	—	Ground terminal
66	EXTAL	I	System clock input terminal (16 MHz)
67	XTAL	I	System clock input terminal (16 MHz)
68	VCC	—	Power supply terminal (+5V)
69	$\overline{\text{AS}}$	O	Address strobe signal output terminal Not used (open)
70	$\overline{\text{RD}}$	O	Strobe signal output for data reading to the servo digital signal processor (IC512), ARP (IC702), expander (IC711, 712), flash memory (IC716) and S-RAM (IC717, 718)
71	$\overline{\text{HWR}}$	O	Strobe signal output for data writing to the servo digital signal processor (IC512), ARP (IC702), expander (IC712), flash memory (IC716) and upper byte data writing strobe signal output to the S-RAM (IC717)
72	$\overline{\text{LWR}}$	O	Strobe signal output for data writing to the expander (IC711) and lower byte data writing strobe signal output to the S-RAM (IC716)
73	MD0	I	Input terminal for setting microcomputer operation mode (fixed at “L”)
74	MD1	I	Input terminal for setting microcomputer operation mode (fixed at “L”)
75	MD2	I	Input terminal for setting microcomputer operation mode (fixed at “H”)
76	AVCC	—	Power supply terminal (+5V)
77	VREF	I	Reference voltage input terminal (+5V)
78	AN0	I	Serial data input from the RS-232C (for check)
79	BUSY2	I	BUSY signal input from the servo digital signal processor (IC512)
80	ADS RDY	I	Ready signal input terminal (fixed at “H”)
81	$\overline{\text{IFBSY}}$	I	BUSY signal input from the FL controller (IC1001)
82	PLIN	I	PL signal input from the servo digital signal processor (IC512)
83	AK0	I	Monitor signal input from the expander (IC711)
84	AK1	O	Monitor signal output terminal (fixed at “L”)
85	AK2	O	
86	AVSS	—	Ground terminal

Pin No.	Pin Name	I/O	Description
87	$\overline{\text{ARPINT}}$	I	Interrupt signal input from the ARP (IC702)
88	SDSCS	O	Chip enable signal output to the servo digital signal processor (IC512)
89	SDSACK	I	Chip enable signal input from the servo digital signal processor (IC512)
90	$\overline{\text{CS1}}$	O	Chip enable signal output to the S-RAM (IC717, 718)
91	$\overline{\text{CS0}}$	O	Chip enable signal output to the flash memory (IC716)
92	VSS	—	Ground terminal
93	SHR RDY	I	Ready signal Input from the DSD decoder (IC703)
94	$\overline{\text{IFREQ}}$	O	Request signal output to the FL controller (IC1001)
95	RST OUT	O	System reset signal output to the servo digital signal processor (IC512) and expander (IC711,712)
96	TKC	I	Sled FG signal input from the position sensor (IC008)
97	HFG	I	HFG signal input from the spindle motor drive (IC501)
98	A22	O	Address signal output to the ARP (IC702) and expander (IC711,712)
99	A21	O	
100	A20	O	

• MAIN BOARD IC711 CXD1095R (EXPANDER)

Pin No.	Pin Name	I/O	Description
1	AK1	O	Monitor signal output terminal Not used (open)
2	AK2	O	
3	MON3	O	
4	MON4	O	
5	MON5	O	
6	MON6	O	
7	MON7	O	
8	VSS	—	Ground terminal
9	WADCE	O	Watermark signal output to the RF AD (IC708)
10	TEST	O	Test signal output to the DSD decoder (IC703) “H”:active
11	WMGC0	O	RF gain control for watermark signal output to the RF AD (IC708)
12	WMGC1	O	RF gain control for watermark signal output to the RF AD (IC708)
13	SHR RST	O	Reset signal output to the DSD decoder (IC703)
14	SHR MUTE	O	Mute signal output to the DSD decoder (IC703)
15	SHR LT	O	Latch pulse signal output to the DSD decoder (IC703)
16	—	O	Not used (open)
17	NC	—	Not used (open)
18	FWON	O	FWON signal output to the ARP (IC702)
19	MD2	O	CD-TX mute signal output to the ARP (IC702)
20	MUTE	O	CD-DA mute signal output to the ARP (IC702)
21	ARP RST	O	Reset signal output to the ARP (IC702)
22	DFCT	I	DFCT signal input from the ARP (IC702)
23	VSS	—	Ground terminal
24	VDD	—	Power supply terminal (+5V)
25	NORF	I	NORF signal input from the ARP (IC702)
26	LOCK	I	Lock signal input from the ARP (IC702)
27	FIL SET	I	Filter select signal input from the STANDARD/CUSTOM switch (S173) “L”:CUSTOM “H” :STANDARD
28	D0	I/O	Two-way data bus with the CPU (IC701)
29	D1	I/O	
30	D2	I/O	
31	NC	—	Not used (open)
32	NC	—	Not used (open)
33	D3	I/O	Two-way data bus with the CPU (IC701)
34	D4	I/O	
35	D5	I/O	
36	D6	I/O	
37	D7	I/O	
38	XCLR	I	Clear signal input terminal (pull up)
39	XDIS	I	Reset signal input from the ARP (IC702)
40	VSS	—	Ground terminal
41	XWR	I	Strobe signal input from the CPU (IC701)
42	XRD	I	Strobe signal input from the CPU (IC701)
43	XCS	I	Chip enable signal input from the CPU (IC701)

Pin No.	Pin Name	I/O	Description
44	A0	I	Address signal input from the CPU (IC701)
45	A1	I	
46	A2	I	
47	REM CODE	O	Remote category signal output terminal “L”:CD2 “H”:CD1
48	—	I	Not used (open)
49	NC	—	Not used (open)
50	—	I	Not used (open)
51	—	O	Not used (open)
52	DF INIT	O	Initial signal output to the digital filter (IC301)
53	MODE	O	SACD/CD mode signal output to the digital filter (IC301)
54	A FILE	O	Filter signal output terminal
55	VSS	—	Ground terminal
56	VDD	—	Power supply terminal (+5V)
57	A MUTE	O	Audio mute signal output terminal “L”:mute
58	XLR ON	O	Balance signal output terminal
59	ADS LT	O	Not used (open)
60	DCMF INIT	O	Not used (open)
61	DOCTRL	O	Digital control signal output to the select switch (IC732)
62	AK0	O	Monitor signal output to the CPU (IC701)
63	NC	—	Not used (open)
64	NC	—	Not used (open)

• MAIN BOARD IC712 CXD1095R (EXPANDER)

Pin No.	Pin Name	I/O	Description
1	STBL DTC	I	Stabilizer detect signal input from the stabilizer detect sensor (IC009)
2	—	I	Not used (open)
3	—	I	Not used (open)
4	LD SW1	I	Loading panel close signal input from the close switch (S004)
5	LD SW0	I	Loading panel open signal input from the open switch (S003)
6	SLD SW1	I	Sled motor (out) signal input from the out switch (S001)
7	SLD SW0	I	Sled motor (in) signal input from the in switch (S001)
8	VSS	—	Ground terminal
9	LOAD	O	Load signal output to the loading motor drive (IC515)
10	UNLOAD	O	Unload signal output to the loading motor drive (IC515)
11	STBL DRV	O	Stabilizer drive signal output terminal
12	SPCTL1	O	Spindle motor control signal output to spindle motor drive (IC501)
13	SPCTL0	O	Spindle motor control signal output terminal Not used (open)
14	SPGC2	O	Spindle motor control signal output to spindle motor drive (IC501)
15	SPGC1	O	Spindle motor control signal output to spindle motor drive (IC501)
16	PIHG	O	PIHG signal output terminal Not used (open)
17	NC	—	Not used (open)
18	SRVRST	O	Servo reset signal output to the servo digital signal processor (IC512)
19	PISEL	O	PI select signal output terminal
20	TEAGC0	O	Tracking error signal output terminal
21	TEAGC1	O	Tracking error signal output terminal
22	ERROR	I	Error signal input from the servo digital signal processor (IC512)
23	VSS	—	Ground terminal
24	VDD	—	Power supply terminal (+5V)
25	FON	I	FON signal input from the servo digital signal processor (IC512)
26	TIUNLK	I	Tilt motor control signal input from the tilt motor drive (IC505)
27	—	I	Not used (open)
28	D0	I/O	Two-way data bus with the CPU (IC701)
29	D1	I/O	
30	D2	I/O	
31	NC	—	Not used (open)
32	NC	—	Not used (open)
33	D3	I/O	Two-way data bus with the CPU (IC701)
34	D4	I/O	
35	D5	I/O	
36	D6	I/O	
37	D7	I/O	
38	XCLR	I	Clear signal input terminal (pull up)
39	XDIS	I	Reset signal input from the ARP (IC702)
40	VSS	—	Ground terminal
41	XWR	I	Strobe signal input from the CPU (IC701)
42	XRD	I	Strobe signal input from the CPU (IC701)
43	XCS	I	Chip enable signal input from the CPU (IC701)
44	A0	I	Address signal input from the CPU (IC701)
45	A1	I	
46	A2	I	

Pin No.	Pin Name	I/O	Description
47	—	I	Not used (open)
48	—	I	Not used (open)
49	NC	—	Not used (open)
50	FCSDWN	I/O	Two-way data bus with the SACD/CD RF AMP (IC001)
51	SDPREK	O	SDPREK signal output to the sled motor drive (IC503)
52	$\overline{\text{SACDLDON}}$	O	Load signal output to the SACD/CD RF AMP (IC001)
53	TILT OUT	O	Tilt out signal output to the tilt motor drive (IC505)
54	A ERR	O	Not used (open)
55	VSS	—	Ground terminal
56	VDD	—	Power supply terminal (+5V)
57	TILT/H	O	Tilt error signal output to the tilt error AMP (IC004)
58	SLDDLY	O	SLDDLY signal output to the sled motor drive (IC503)
59	SDEN	O	SDEN signal output to the SACD/CD RF AMP (IC001)
60	SL MUTE	O	Mute signal output to the sled motor drive (IC503)
61	LM MUTE	O	Mute signal output terminal Not used (open)
62	CHUCK	I	Not used (open)
63	NC	—	Not used (open)
64	NC	—	Not used (open)

SECTION 8 EXPLODED VIEWS

NOTE:

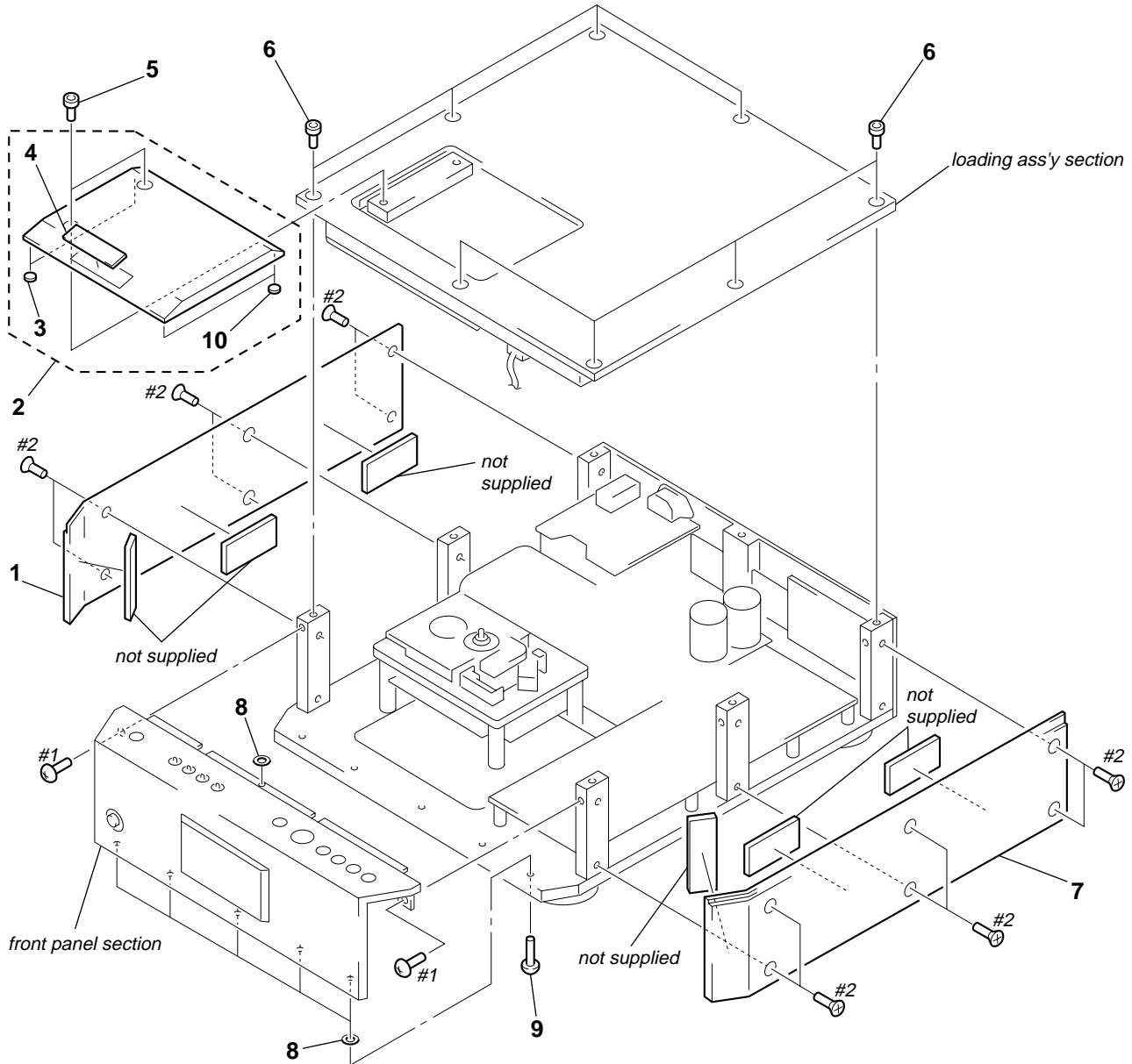
- -XX and -X mean standardized parts, so they may have some difference from the original one.
- Color Indication of Appearance Parts
Example:
KNOB, BALANCE (WHITE) . . . (RED)
 ↑ ↑
 Parts Color Cabinet's Color

- Items marked “*” are not stocked since they are seldom required for routine service. Some delay should be anticipated when ordering these items.
- The mechanical parts with no reference number in the exploded views are not supplied.
- Hardware (# mark) list and accessories and packing materials are given in the last of the electrical parts list.

The components identified by mark Δ or dotted line with mark Δ are critical for safety. Replace only with part number specified.

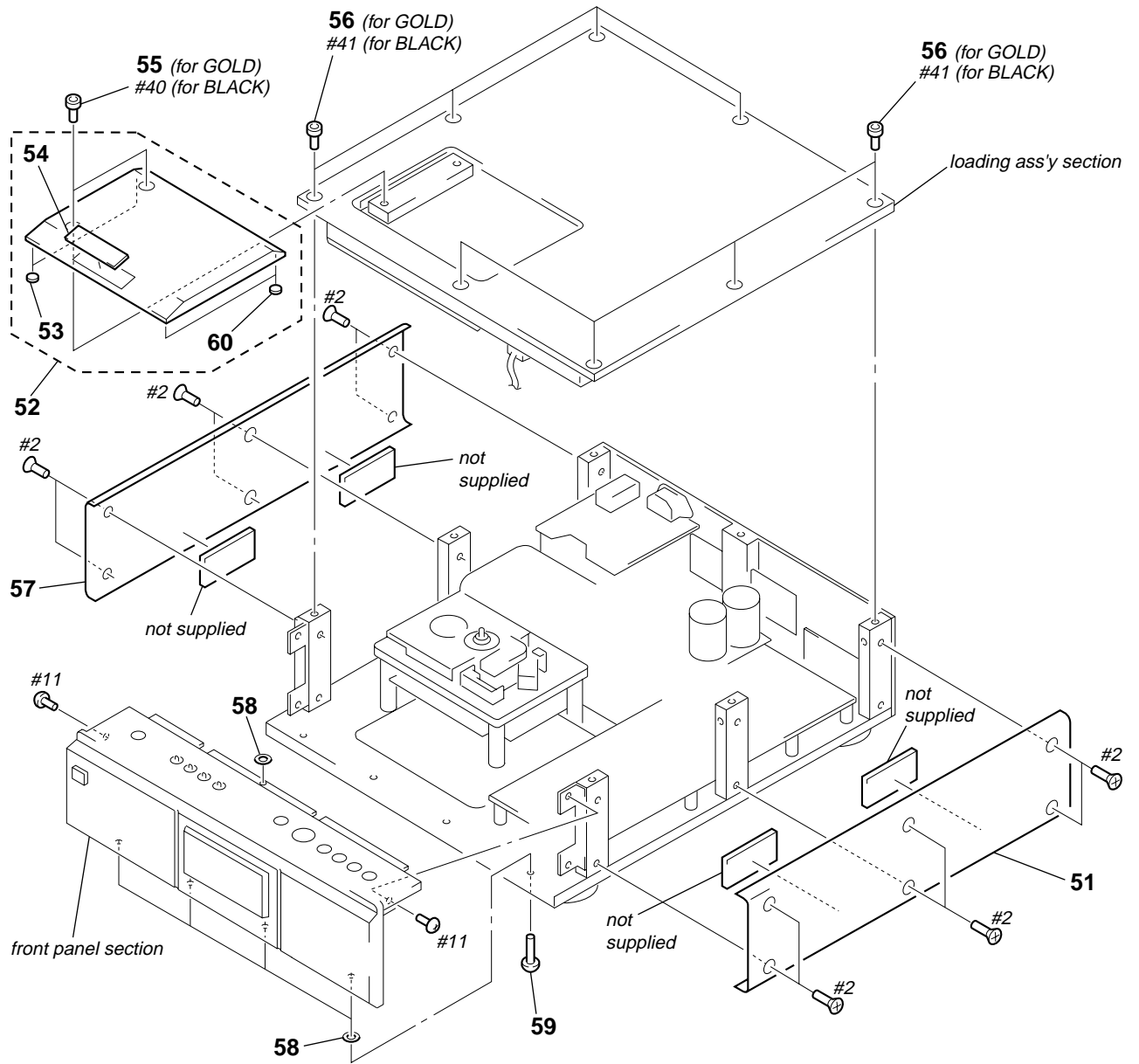
Les composants identifiés par une marque Δ sont critiques pour la sécurité. Ne les remplacer que par une pièce portant le numéro spécifié.

(1) GENERAL (SCD-1)



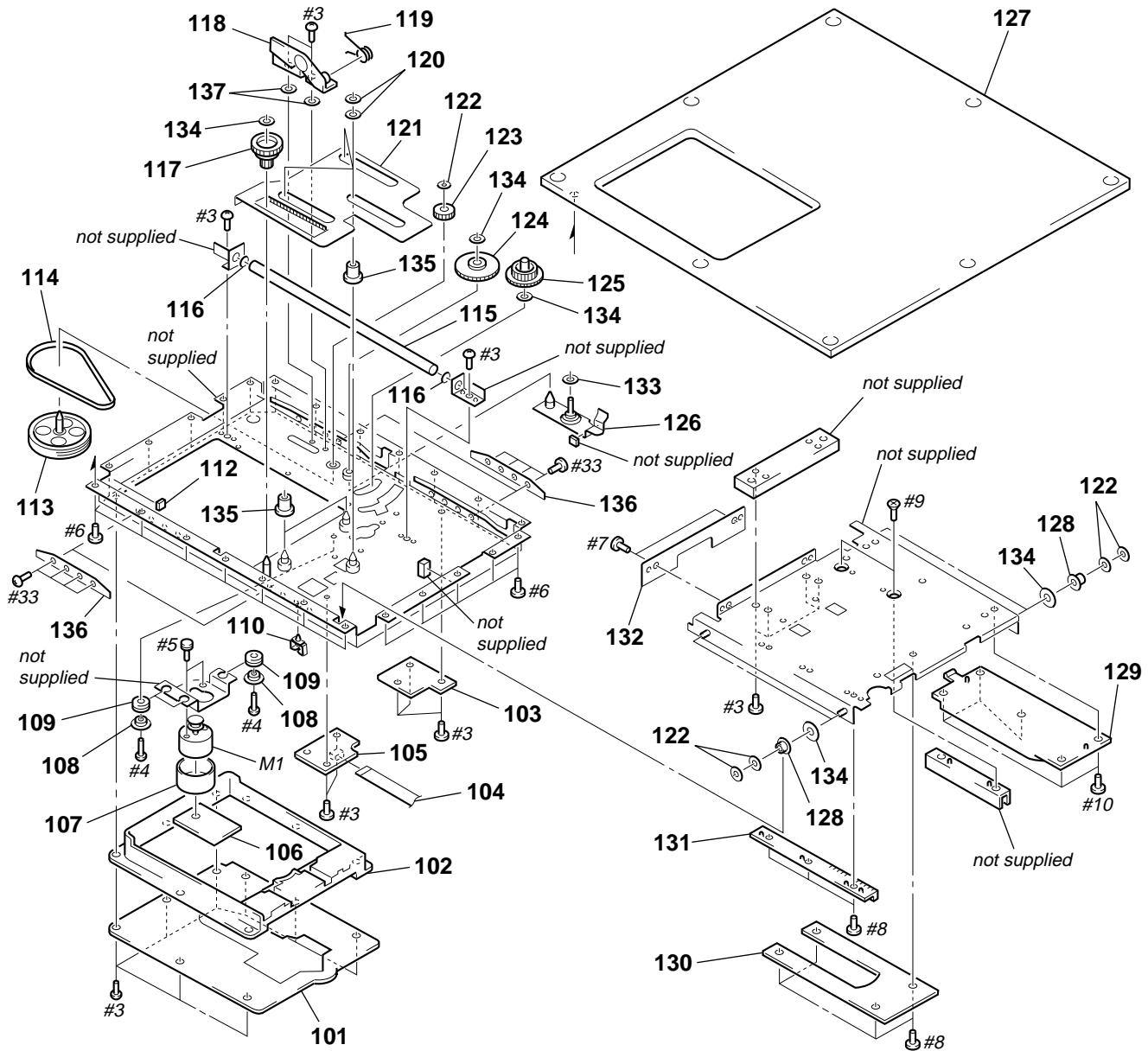
Ref. No.	Part No.	Description	Remark	Ref. No.	Part No.	Description	Remark
1	4-215-794-01	PLATE (L), SIDE		6	4-216-429-01	BOLT (M4X8), HEXAGON SOCKET	
2	X-4951-357-1	PANEL (LOADING) ASSY		7	4-215-795-01	PLATE (R), SIDE	
3	4-218-606-01	CUSHION (LD)		* 8	2-127-516-01	TAPE (TV LOCK HANDLE)	
4	4-216-860-01	EMBLEM (SACD)		9	4-968-977-11	SCREW (3X10), +BVTP	
5	4-216-431-01	BOLT (M5X10), HEXAGON SOCKET		10	4-218-606-11	CUSHION (LD)	

(2) GENERAL (SCD-777ES)



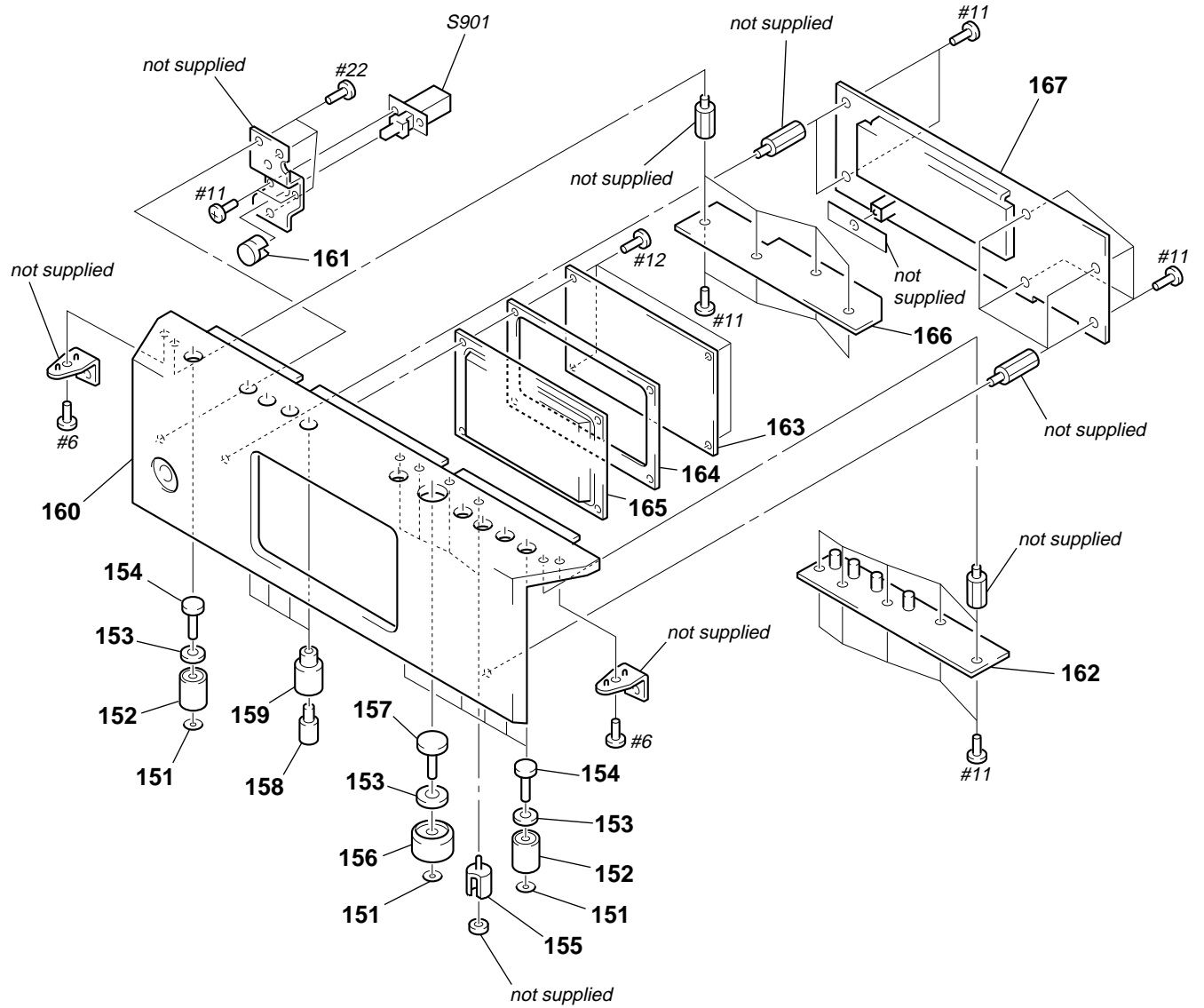
Ref. No.	Part No.	Description	Remark	Ref. No.	Part No.	Description	Remark
51	4-221-849-01	PLATE (L), SIDE (GOLD)		55	4-216-431-01	BOLT (M5X10), HEXAGON SOCKET (for GOLD)	
51	4-221-849-11	PLATE (L), SIDE (BLACK)		56	4-216-429-01	BOLT (M4X8), HEXAGON SOCKET (for GOLD)	
52	X-4951-857-1	PANEL (LOADING) ASSY (GOLD)		57	4-221-850-01	PLATE (R), SIDE (GOLD)	
52	X-4951-858-1	PANEL (LOADING) ASSY (BLACK)		57	4-221-850-11	PLATE (R), SIDE (BLACK)	
53	4-218-606-01	CUSHION (LD)		* 58	2-127-516-01	TAPE (TV LOCK HANDLE)	
54	4-216-860-21	EMBLEM (SACD) (SCD-777ES: BLACK)		59	4-968-977-11	SCREW (3X10), +BVTP	
54	4-216-860-11	EMBLEM (SACD) (SCD-777ES: GOLD)		60	4-218-606-11	CUSHION (LD)	

(3) LOADING ASSY SECTION



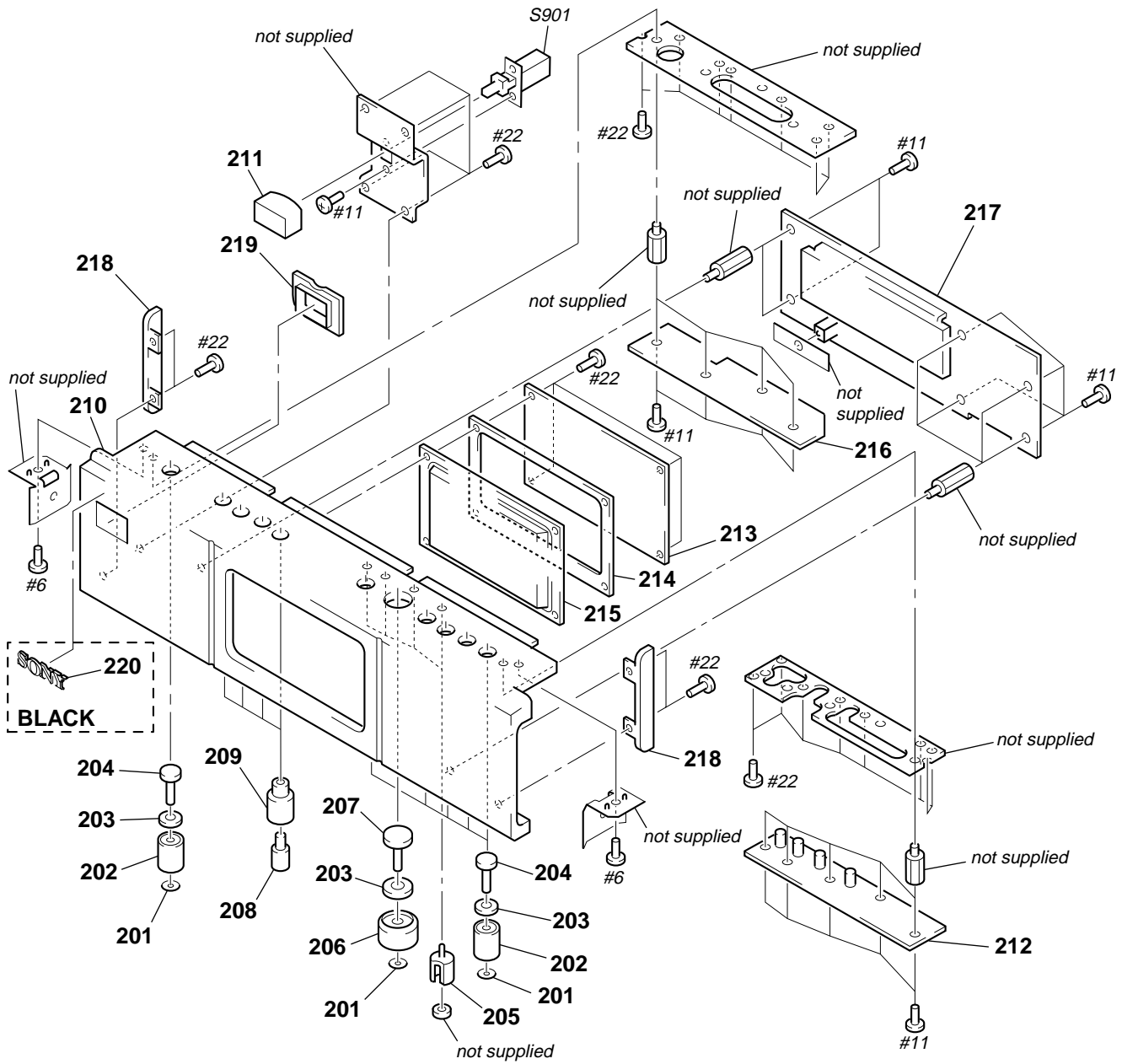
Ref. No.	Part No.	Description	Remark	Ref. No.	Part No.	Description	Remark
101	4-215-791-01	PLATE (B), ORNAMENTAL		122	3-325-697-01	WASHER	
102	4-215-767-01	PLATE (A), ORNAMENTAL		123	4-968-898-01	GEAR (FIRST)	
103	1-673-865-12	LOAD-SW BOARD		124	4-968-899-01	GEAR (MIDDLE)	
104	1-790-587-11	WIRE (FLAT TYPE) (5 CORE)		125	4-215-774-01	GEAR (SWING)	
105	1-673-867-12	LOAD-CN BOARD		126	X-4950-850-3	ARM (SWING) ASSY	
106	1-673-864-12	LOAD-MOT BOARD		127	4-215-780-03	CASE (TOP PLATE) (SCD-1)	
107	4-218-604-01	DAMPER (MOTOR)		127	4-221-848-01	PLATE, TOP (SCD-777ES: GOLD)	
* 108	4-928-026-01	COLLAR (B)		127	4-221-848-11	PLATE, TOP (SCD-777ES: BLACK)	
* 109	4-888-798-00	BUSHING, RUBBER		128	4-215-766-04	ROLLER (SLIDE)	
* 110	3-694-225-01	CLAMP		129	4-215-769-01	RACK, J	
112	3-011-999-01	RUBBER (B)		130	1-673-866-12	STB BOARD	
113	X-4945-209-1	PULLEY (FIRST) ASSY		131	4-215-770-01	RACK, I	
114	4-968-905-01	BELT (CDM)		132	4-215-792-02	PLATE (C), ORNAMENTAL	
115	4-215-762-01	SHAFT (MAIN)		133	3-701-445-11	WASHER, 7	
116	3-910-695-01	FELT		134	3-363-191-01	WASHER (BA)	
117	4-215-775-01	GEAR (SHUTTER)		135	4-220-665-01	ROLLER (SHUTTER)	
118	X-4951-127-2	LEVER (STOPPER) ASSY		136	4-221-221-03	RAIL, GUIDE	
119	4-217-469-01	SPRING (STOPPER)		137	4-949-302-51	WASHER	
120	4-220-666-01	WASHER (SHUTTER)		M1	A-4672-674-A	MOTOR ASSY (LOADING)	
121	4-215-771-01	SHUTTER, SLIDE					

(4) FRONT PANEL SECTION (SCD-1)



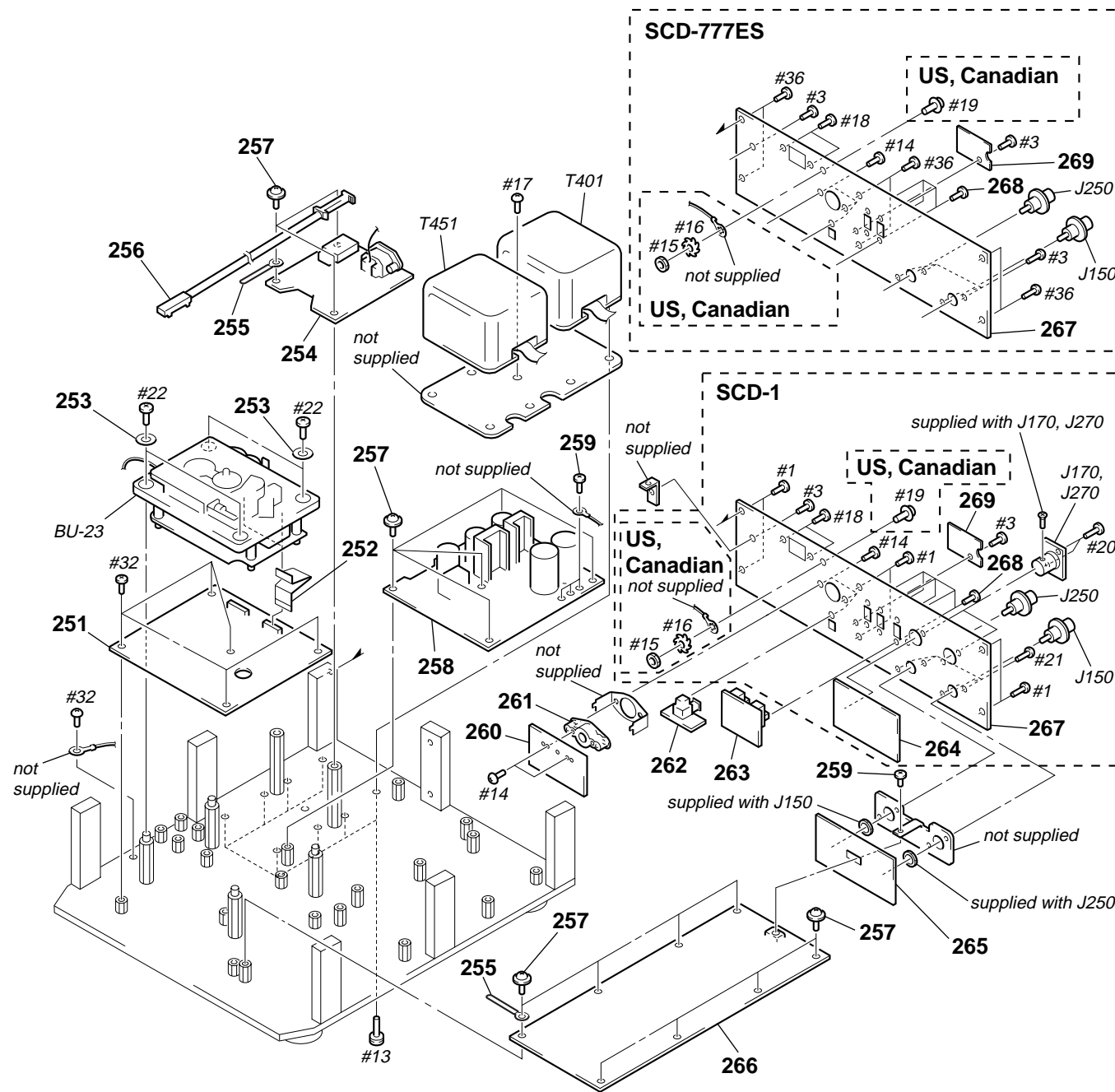
Ref. No.	Part No.	Description	Remark	Ref. No.	Part No.	Description	Remark
151	4-947-420-01	RING (DIA. 2.53), RETAINING		160	4-215-810-01	PANEL, FRONT	
152	4-215-806-01	GUIDE (OPEN/CLOSE)		161	X-4950-854-1	BUTTON ASSY, POWER	
153	4-216-427-02	CUSHION (BUTTON)		162	1-673-863-12	SW-R BOARD	
154	X-4950-852-1	BUTTON (O/C) ASSY		163	4-216-430-04	PLATE, HALF MIRROR	
* 155	4-900-228-01	INDICATOR (MONITOR)		164	4-218-605-01	SPACER (INDICATION PLATE)	
156	4-215-807-01	GUIDE (PLAY)		165	4-215-803-01	PLATE, INDICATION	
157	X-4950-853-1	BUTTON (PLAY) ASSY		166	1-673-862-13	SW-L BOARD	
158	4-211-455-01	BUTTON (LED)		167	A-4724-528-A	DISPLAY BOARD, COMPLETE	
159	4-215-789-02	GUIDE (GOMA KEY) (SCD-1)		S901	1-771-685-11	SWITCH, PUSH (CONTROL BLOCK)	

(5) FRONT PANEL SECTION (SCD-777ES)



Ref. No.	Part No.	Description	Remark	Ref. No.	Part No.	Description	Remark
201	4-947-420-01	RING (DIA. 2.53), RETAINING		211	X-4950-228-1	BUTTON ASSY, POWER (BLACK)	
202	4-215-806-01	GUIDE (OPEN/CLOSE)		* 212	1-673-863-12	SW-R BOARD	
203	4-216-427-02	CUSHION (BUTTON)		213	4-221-842-02	PLATE, HALF MIRROR (for GOLD)	
204	X-4951-861-1	BUTTON (O/C) ASSY (GOLD)		213	4-221-842-11	PLATE, HALF MIRROR (for BLACK)	
204	X-4951-862-1	BUTTON (O/C) ASSY (BLACK)		214	4-221-843-01	SPACER (DISPLAY)	
* 205	4-900-228-01	INDICATOR (MONITOR)		215	4-221-841-01	PLATE, INDICATION (for BLACK)	
206	4-215-807-01	GUIDE (PLAY)		215	4-221-841-11	PLATE, INDICATION (for GOLD)	
207	X-4951-863-1	BUTTON (PLAY) ASSY (GOLD)		216	1-673-862-13	SW-L BOARD	
207	X-4951-864-1	BUTTON (PLAY) ASSY (BLACK)		217	A-4724-528-A	DISPLAY BOARD, COMPLETE	
208	4-211-455-01	BUTTON (LED)		218	4-221-840-01	PLATE (PANEL), SIDE (GOLD)	
209	4-215-789-11	GUIDE (GOMA KEY) (GOLD)		218	4-221-840-11	PLATE (PANEL), SIDE (BLACK)	
209	4-215-789-21	GUIDE (GOMA KEY) (BLACK)		219	4-921-415-05	ESCUTCHEON, POWER KNOB (BLACK)	
210	4-221-839-01	PANEL, FRONT (GOLD)		219	4-921-415-14	ESCUTCHEON, POWER KNOB (GOLD)	
210	4-221-839-31	PANEL, FRONT (BLACK)		220	4-942-568-41	EMBLEM (NO. 5), SONY (for BLACK)	
211	X-4950-227-1	BUTTON ASSY, POWER (GOLD)		S901	1-771-685-11	SWITCH, PUSH (CONTROL BLOCK)	

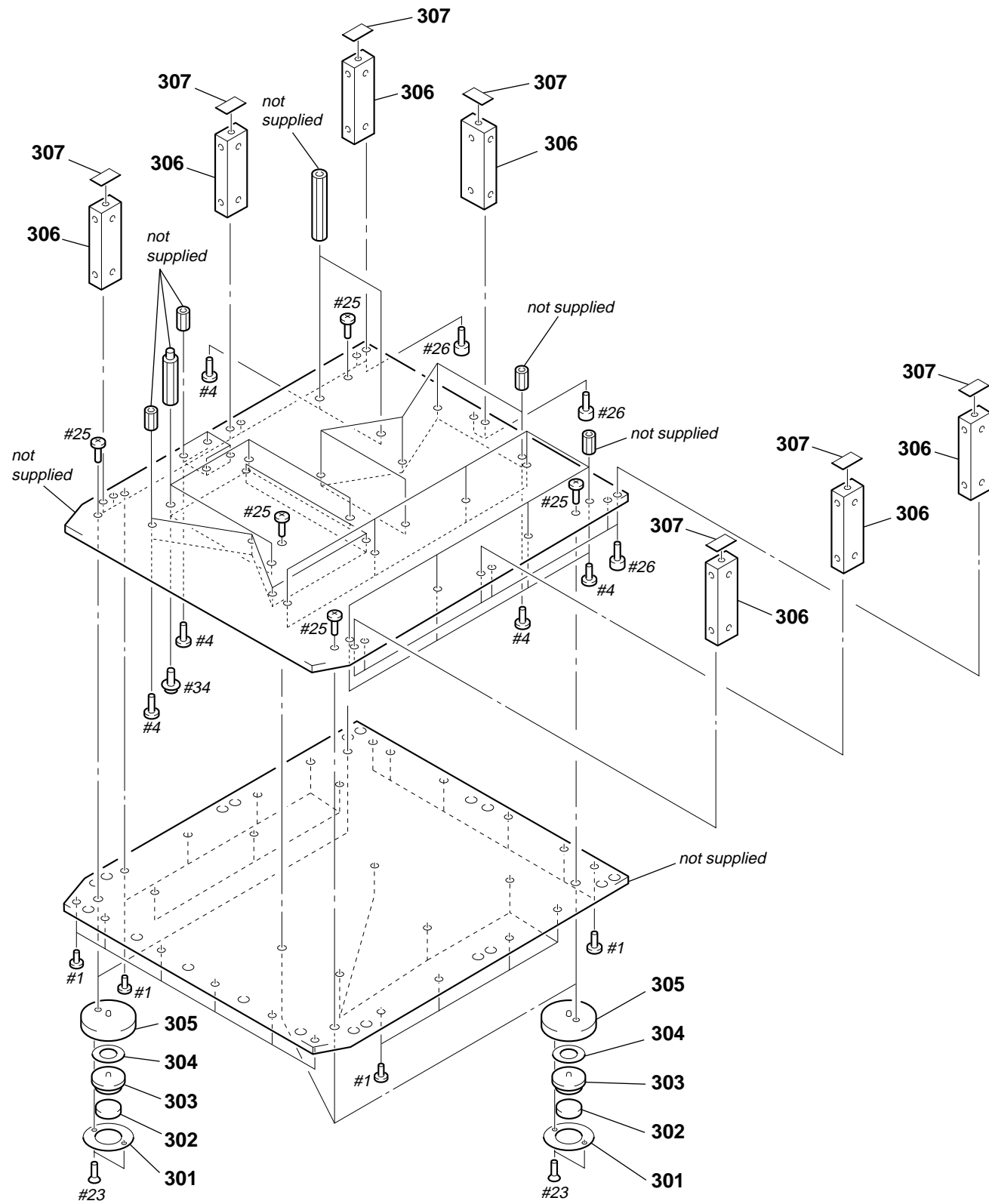
(6) MAIN SECTION



Ref. No.	Part No.	Description	Remark	Ref. No.	Part No.	Description	Remark
251	A-4724-951-A	MAIN BOARD, COMPLETE		J150	1-568-918-31	JACK, PIN 1P (LINE OUT (ANALOG) UNBALANCED L) (SCD-1)	
252	1-790-659-11	WIRE (FLAT TYPE) (26 CORE)		J170	1-563-030-21	CONNECTOR (RECEPTACLE) 3P (LINE OUT (ANALOG) BALANCED L) (SCD-1)	
253	4-221-249-01	WASHER		J250	1-568-918-31	JACK, PIN 1P (LINE OUT (ANALOG) UNBALANCED R) (SCD-1)	
254	1-673-854-14	AC BOARD		J250	1-568-918-41	JACK, PIN 1P (LINE OUT (ANALOG) R) (SCD-777ES)	
255	3-701-822-01	HOLDER, WIRE		J270	1-563-030-21	CONNECTOR (RECEPTACLE) 3P (LINE OUT (ANALOG) BALANCED R) (SCD-1)	
256	1-771-685-21	SWITCH, PUSH (CONTROL BLOCK) (WIRE)		△T401	1-435-108-11	TRANSFORMER, POWER (ANALOG) (SCD-777ES: AEP)	
257	X-4908-910-1	SCREW ASSY (+ BVTT)		△T401	1-435-110-11	TRANSFORMER, POWER (ANALOG) (SCD-777ES: US, Canadian)	
258	A-4724-529-A	POWER BOARD, COMPLETE		△T401	1-435-114-11	TRANSFORMER, POWER (ANALOG) (SCD-1: AEP)	
* 259	4-931-964-01	SCREW (M4X6)		△T401	1-435-116-11	TRANSFORMER, POWER (ANALOG) (SCD-1: US, Canadian)	
260	A-4724-524-A	COAX BOARD, COMPLETE		△T451	1-435-109-11	TRANSFORMER, POWER (DIGITAL) (SCD-777ES: AEP)	
* 261	4-913-152-01	ESCUTCHEON, D/O		△T451	1-435-111-11	TRANSFORMER, POWER (DIGITAL) (SCD-777ES: US, Canadian)	
262	1-673-858-14	OPT BOARD		△T451	1-435-115-11	TRANSFORMER, POWER (DIGITAL) (SCD-1: AEP)	
263	1-673-859-14	SW BOARD		△T451	1-435-117-11	TRANSFORMER, POWER (DIGITAL) (SCD-1: US, Canadian)	
264	A-4724-931-A	BAL BOARD, COMPLETE (SCD-1)					
265	1-673-855-14	PIN BOARD					
266	A-4724-518-A	AUDIO BOARD, COMPLETE (SCD-1)					
266	A-4724-953-A	AUDIO BOARD, COMPLETE (SCD-777ES)					
267	4-215-784-11	PANEL, BACK (SCD-1: US, Canadian)					
267	4-215-784-21	PANEL, BACK (SCD-1: AEP)					
267	4-221-854-01	PANEL, BACK (SCD-777ES: AEP)					
267	4-221-854-11	PANEL, BACK (SCD-777ES: US, Canadian)					
268	3-701-428-11	SCREW, +B 2.6 CLAW					
269	4-221-222-11	BRACKET (FILTER) (SCD-777ES)					
269	4-221-222-01	BRACKET (FILTER) (SCD-1)					
J150	1-568-918-31	JACK, PIN 1P (LINE OUT (ANALOG) L) (SCD-777ES)					

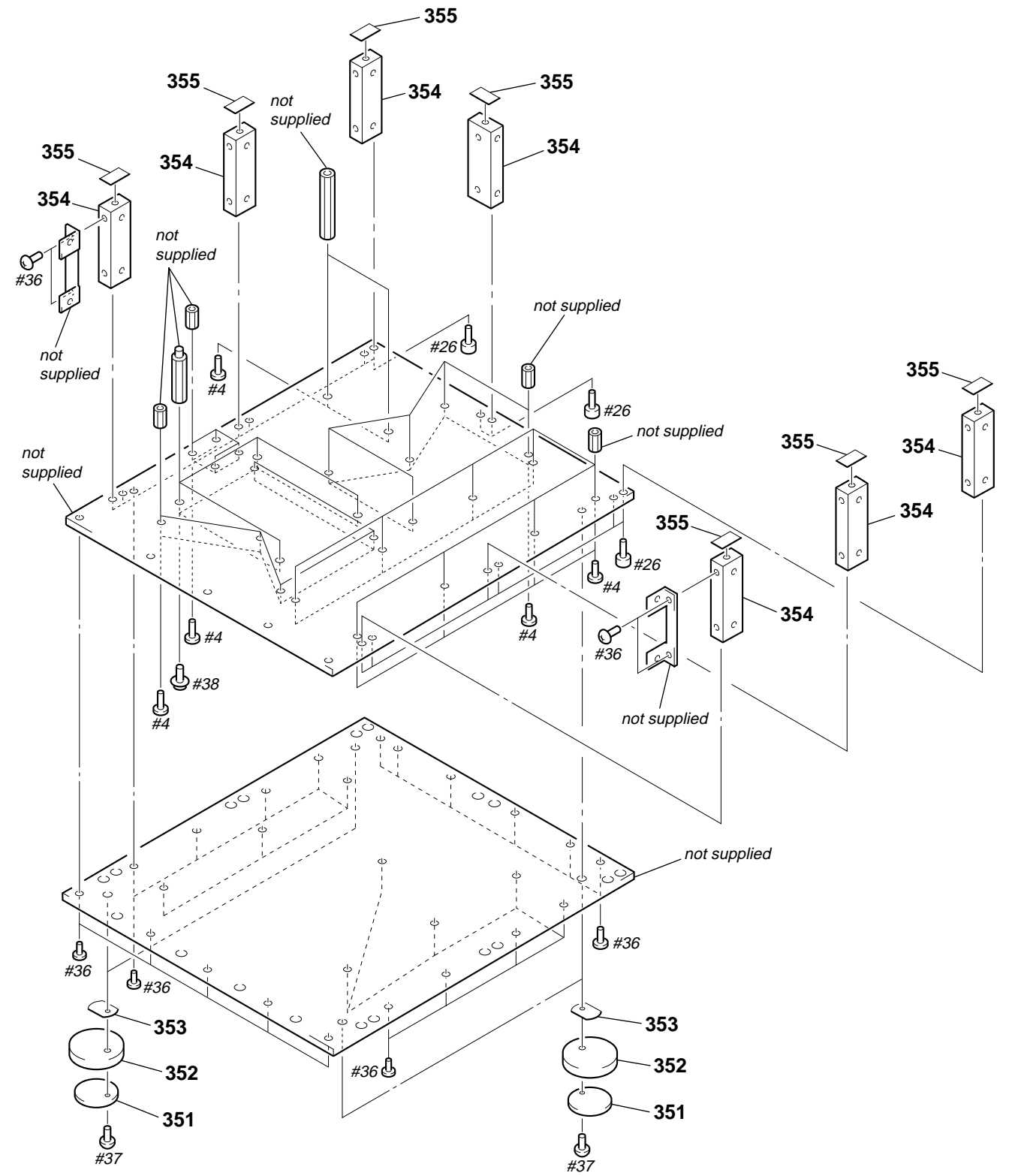
The components identified by mark Δ or dotted line with mark Δ are critical for safety. Replace only with part number specified.	Les composants identifiés par une marque Δ sont critiques pour la sécurité. Ne les remplacer que par une pièce portant le numéro spécifié.
--	---

(7) CHASSIS SECTION (SCD-1)



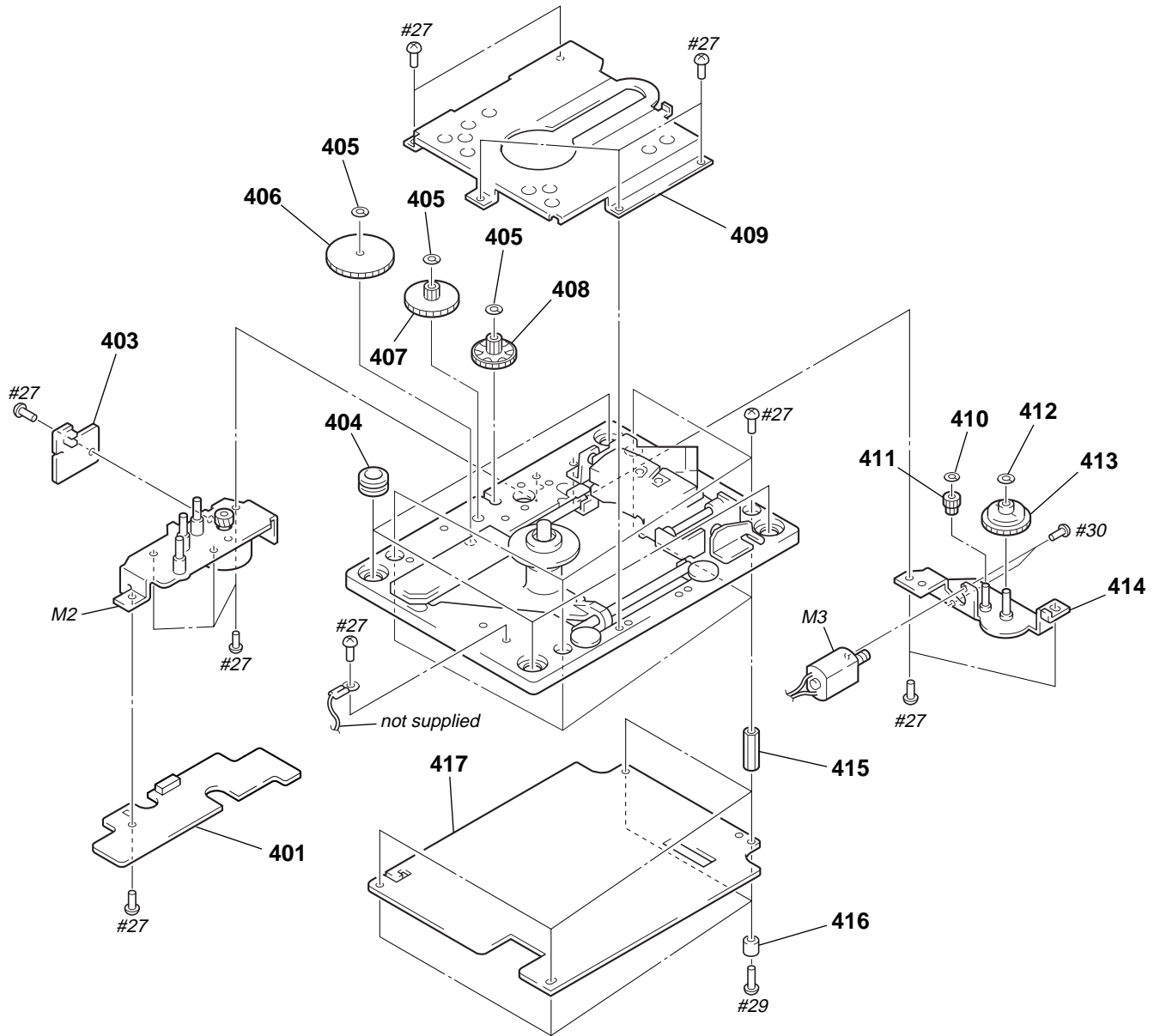
Ref. No.	Part No.	Description	Remark	Ref. No.	Part No.	Description	Remark
301	4-987-505-02	BRACEKT (FOOT)		305	4-987-504-02	FOOT (BASE)	
302	4-987-507-02	CUSHION (D26)		306	X-4951-689-1	SUPPORT ASSY	
303	4-987-506-03	FOOT (PIN)		307	4-222-891-01	SHEET	
304	4-987-508-01	CUSHION (D31)					

(8) CHASSIS SECTION (SCD-777ES)



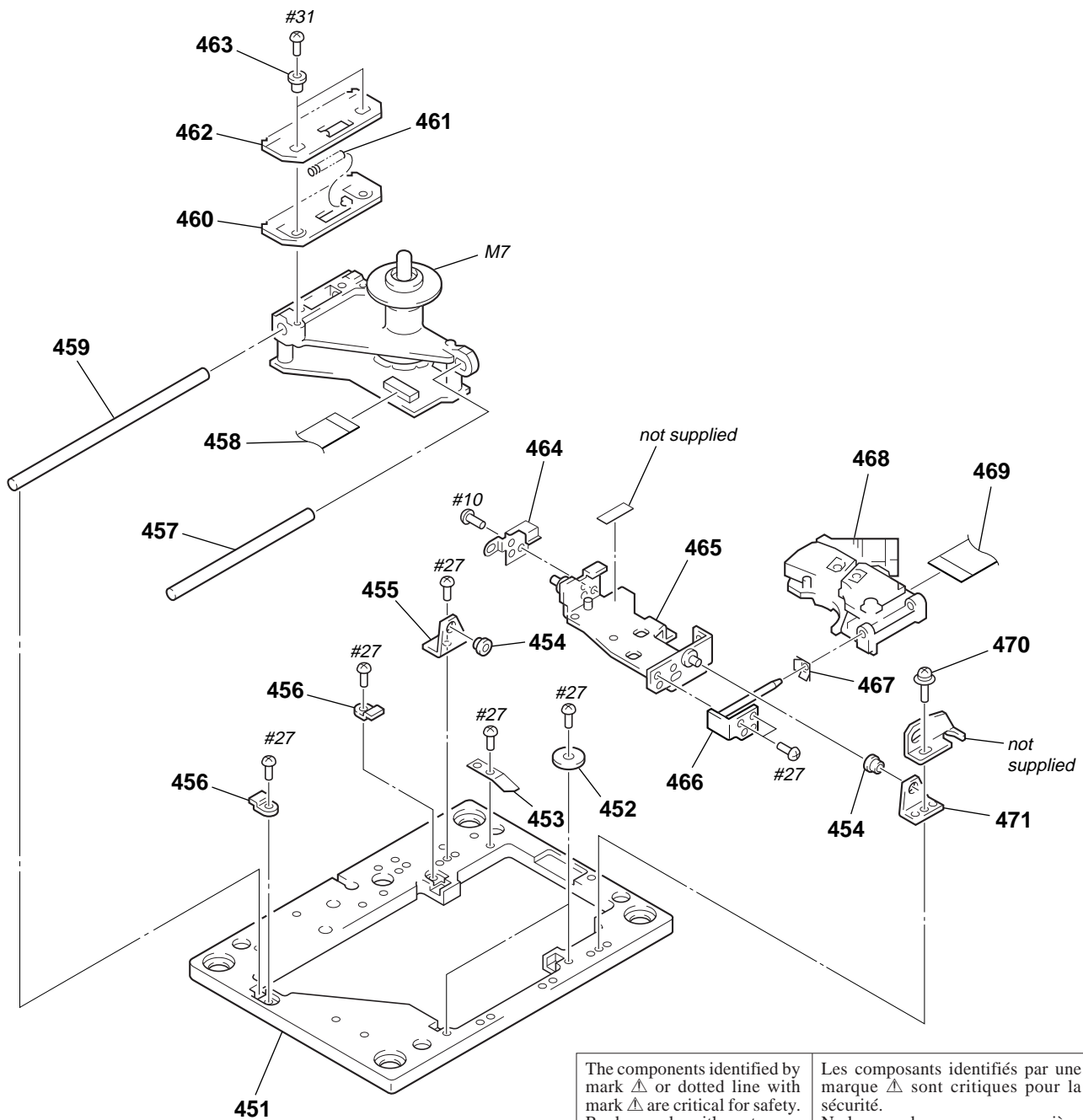
Ref. No.	Part No.	Description	Remark	Ref. No.	Part No.	Description	Remark
351	4-970-124-01	CUSHION (F50180S)		354	X-4951-689-1	SUPPORT ASSY	
352	4-970-487-01	FOOT (F50180S)		355	4-222-891-01	SHEET	
353	4-970-488-01	SPACER (F50180S)					

(9) OP MECHANISM SECTION-1
(BU-23)



Ref. No.	Part No.	Description	Remark	Ref. No.	Part No.	Description	Remark
401	1-673-851-12	SLD-MOT BOARD		411	3-975-057-01	GEAR, SKEW	
403	1-673-852-12	SLD-FG BOARD		412	3-911-115-01	WASHER, STOPPER	
404	4-221-248-01	INSULATOR (BSB-16)		413	4-215-688-01	CAM (TILT)	
405	3-364-731-01	WASHER, POLY-SLIDER		414	X-4950-838-1	BRACKET (TILT) ASSY	
406	4-968-866-11	GEAR (D)		* 415	2-280-622-61	SUPPORT (M3X20), HEXAGON	
407	4-968-865-11	GEAR (C)		* 416	3-661-588-00	SPACER (3X5)	
408	4-968-864-01	GEAR (B)		417	A-4724-513-A	RF BOARD, COMPLETE	
409	4-215-694-01	COVER (BU)		M2	X-4952-147-1	SLED MOTOR ASSY	
410	3-321-813-01	WASHER, COTTER POLYETHYLENE		M3	X-4952-148-1	TILT MOTOR ASSY	

(10) OP MECHANISM SECTION-2
(BU-23)



<p>The components identified by mark \triangle or dotted line with mark \triangle are critical for safety. Replace only with part number specified.</p>	<p>Les composants identifiés par une marque \triangle sont critiques pour la sécurité. Ne les remplacer que par une pièce portant le numéro spécifié.</p>
---	--

Ref. No.	Part No.	Description	Remark	Ref. No.	Part No.	Description	Remark
451	4-215-680-01	BASE, MECHANICAL		462	4-215-687-01	RACK (B), SLIDE	
452	4-215-692-01	RETAINER (SUB), SHAFT		463	4-215-693-01	COLLAR (RACK)	
453	4-215-685-01	SPRING (Z), LEAF		464	4-215-683-01	SPRING (X), LEAF	
454	4-221-247-01	COLLAR (OP-X)		465	X-4950-836-2	BRACKET (OP) ASSY	
455	4-215-681-01	HOLDER (L)		466	X-4950-837-2	RETAINER (OP) ASSY	
456	4-215-691-01	RETAINER (MAIN), SHAFT		467	4-215-684-01	SPRING (Y), LEAF	
457	4-215-690-01	SHAFT (SUB), SLED		\triangle 468	8-820-005-02	OPTICAL PICK-UP KHS-180A/J1RP	
458	1-790-591-11	WIRE (FLAT TYPE) (14 CORE)		469	1-665-390-11	OP-15 FLEXIBLE PRINT BOARD	
459	4-215-689-01	SHAFT (MAIN), SLED		470	4-623-700-01	+PSW (SMALL CIRCLE) 3X10	
460	4-215-686-01	RACK (A), SLIDE		471	4-215-682-01	HOLDER (R)	
461	4-215-751-01	SPRING, COMPRESSION		M7	1-763-254-11	MOTOR (SPINDLE)	

SECTION 9 ELECTRICAL PARTS LIST

AC

AUDIO

NOTE:

- Due to standardization, replacements in the parts list may be different from the parts specified in the diagrams or the components used on the set.
- -XX and -X mean standardized parts, so they may have some difference from the original one.
- RESISTORS
All resistors are in ohms.
METAL: Metal-film resistor.
METAL OXIDE: Metal oxide-film resistor.
F: nonflammable

- Items marked “**” are not stocked since they are seldom required for routine service. Some delay should be anticipated when ordering these items.
- SEMICONDUCTORS
In each case, u: μ , for example:
uA. . . : μ A. . . uPA. . . : μ PA. . .
uPB. . . : μ PB. . . uPC. . . : μ PC. . .
uPD. . . : μ PD. . .
- CAPACITORS
uF: μ F
- COILS
uH: μ H

The components identified by mark Δ or dotted line with mark Δ are critical for safety. Replace only with part number specified.

Les composants identifiés par une marque Δ sont critiques pour la sécurité. Ne les remplacer que par une pièce portant le numéro spécifié.

When indicating parts by reference number, please include the board.

Ref. No.	Part No.	Description	Remark	Ref. No.	Part No.	Description	Remark
	1-673-854-14	AC BOARD *****				< BUS BAR >	
*	1-533-213-11	HOLDER, FUSE < CAPACITOR >		* BB301	1-560-242-41	BUS BAR 11P	
				BB302	1-569-360-11	BUS BAR	
				BB303	1-569-360-11	BUS BAR	
				* BB304	1-560-242-31	BUS BAR 5P	
						< CAPACITOR >	
Δ	C480	1-113-925-11 CERAMIC	0.01uF 20% 250V	C101	1-128-197-11	ELECT	10uF 20% 63V
Δ	C481	1-113-925-11 CERAMIC	0.01uF 20% 250V	C102	1-117-775-31	FILM	0.1uF 10% 250V
Δ	C482	1-113-925-11 CERAMIC	0.01uF 20% 250V	C103	1-136-850-11	FILM	0.1uF 5% 63V
Δ	C483	1-113-925-11 CERAMIC	0.01uF 20% 250V	C104	1-136-850-11	FILM	0.1uF 5% 63V
Δ	C484	1-113-925-11 CERAMIC	0.01uF 20% 250V	C105	1-136-850-11	FILM	0.1uF 5% 63V
Δ	C485	1-113-920-11 CERAMIC	0.0022uF 20% 250V				
		< CONNECTOR >		C107	1-130-980-51	FILM	0.068uF 3% 100V
	CN480	1-251-234-11 INLET, AC (~ AC IN)		C108	1-136-850-11	FILM	0.1uF 5% 63V
	CN482	1-770-128-11 PIN, CONNECTOR 2P		C109	1-136-850-11	FILM	0.1uF 5% 63V
*	CN483	1-564-321-21 PIN, CONNECTOR 2P		C110	1-128-211-51	ELECT	47uF 20% 100V
		< GROUND TERMINAL >		C111	1-115-197-11	ELECT	100uF 20% 25V
	ETP481	1-537-770-21 TERMINAL BOARD, GROUND		C112	1-136-818-11	FILM	0.0047uF 5% 100V
		< FUSE >		C113	1-115-197-11	ELECT	100uF 20% 25V
Δ	F481	1-532-259-11 FUSE, TIME-LAG (T1.6AL/250V) (AEP)		C114	1-136-818-11	FILM	0.0047uF 5% 100V
Δ	F481	1-532-742-11 FUSE, GLASS TUBE (1.6A/125V) (US, Canadian)		C115	1-128-655-21	FILM	22PF 10% 50V
		< SWITCH >		C116	1-128-655-21	FILM	22PF 10% 50V
Δ	S490	1-762-363-11 SWITCH, POWER (①)		C117	1-128-654-21	FILM	2200PF 5% 50V
		< LINE FILTER >		C119	1-128-654-21	FILM	2200PF 5% 50V
Δ	T481	1-421-915-11 COIL, LINE FILTER		C120	1-125-854-21	FILM	560PF 5% 50V
Δ	T482	1-421-915-11 COIL, LINE FILTER		C122	1-137-508-11	FILM	2.2uF 10% 63V
*****				C123	1-128-654-21	FILM	2200PF 5% 50V
	A-4724-518-A	AUDIO BOARD, COMPLETE (SCD-1)		C124	1-128-654-21	FILM	2200PF 5% 50V
	A-4724-953-A	AUDIO BOARD, COMPLETE(SCD-777ES) *****		C125	1-128-653-21	FILM	1600PF 5% 50V
	2-259-121-01	SCREW, TR		C126	1-164-159-11	CERAMIC	0.1uF 50V
	4-902-345-01	HEAT SINK		C127	1-164-159-11	CERAMIC	0.1uF 50V
	3-323-600-01	SPACER		C128	1-107-611-11	CAPACITOR	91PF 5% 50V
*	4-363-146-00	HEAT SINK, V. OUT		C129	1-119-800-11	ELECT	100uF 20% 25V
				C140	1-107-597-11	CAPACITOR	22PF 5% 500V
				C141	1-107-597-11	CAPACITOR	22PF 5% 500V
				C201	1-128-197-11	ELECT	10uF 20% 63V
				C202	1-117-775-31	FILM	0.1uF 10% 250V
				C203	1-136-850-11	FILM	0.1uF 5% 63V
				C204	1-136-850-11	FILM	0.1uF 5% 63V
				C205	1-136-850-11	FILM	0.1uF 5% 63V
				C207	1-130-980-51	FILM	0.068uF 3% 100V
				C208	1-136-850-11	FILM	0.1uF 5% 63V
				C209	1-136-850-11	FILM	0.1uF 5% 63V

AUDIO

Ref. No.	Part No.	Description			Remark	Ref. No.	Part No.	Description			Remark
C210	1-128-211-51	ELECT	47uF	20%	100V	C406	1-125-857-21	FILM	820PF	5%	50V
C211	1-115-197-11	ELECT	100uF	20%	25V	C407	1-128-200-11	ELECT	47uF	20%	63V
C212	1-136-818-11	FILM	0.0047uF	5%	100V	C408	1-128-200-11	ELECT	47uF	20%	63V
C213	1-115-197-11	ELECT	100uF	20%	25V	C409	1-128-200-11	ELECT	47uF	20%	63V
C214	1-136-818-11	FILM	0.0047uF	5%	100V	C410	1-128-200-11	ELECT	47uF	20%	63V
C215	1-128-655-21	FILM	22PF	10%	50V	C411	1-128-200-11	ELECT	47uF	20%	63V
C216	1-128-655-21	FILM	22PF	10%	50V	C412	1-128-200-11	ELECT	47uF	20%	63V
C217	1-128-654-21	FILM	2200PF	5%	50V			< CONNECTOR >			
C219	1-128-654-21	FILM	2200PF	5%	50V	* CN101	1-564-506-11	PLUG, CONNECTOR 3P			
C220	1-125-854-21	FILM	560PF	5%	50V	* CN102	1-564-506-11	PLUG, CONNECTOR 3P			
C222	1-137-508-11	FILM	2.2uF	10%	63V	* CN104	1-564-506-11	PLUG, CONNECTOR 3P			
C223	1-128-654-21	FILM	2200PF	5%	50V	* CN105	1-564-509-11	PLUG, CONNECTOR 6P (SCD-1)			
C224	1-128-654-21	FILM	2200PF	5%	50V	* CN106	1-564-704-11	PIN, CONNECTOR (SMALL TYPE) 2P			
C225	1-128-653-21	FILM	1600PF	5%	50V	* CN107	1-564-505-11	PLUG, CONNECTOR 2P			
C226	1-164-159-11	CERAMIC	0.1uF		50V	* CN108	1-564-505-11	PLUG, CONNECTOR 2P (SCD-1)			
C227	1-164-159-11	CERAMIC	0.1uF		50V	* CN207	1-564-505-11	PLUG, CONNECTOR 2P			
C228	1-107-611-11	CAPACITOR	91PF	5%	50V	* CN208	1-564-505-11	PLUG, CONNECTOR 2P (SCD-1)			
C229	1-119-800-11	ELECT	100uF	20%	25V	* CN301	1-564-506-11	PLUG, CONNECTOR 3P			
C240	1-107-597-11	CAPACITOR	22PF	5%	500V	* CN302	1-564-712-11	PIN, CONNECTOR (SMALL TYPE)10P			
C241	1-107-597-11	CAPACITOR	22PF	5%	500V	* CN303	1-564-711-11	PIN, CONNECTOR (SMALL TYPE) 9P			
C302	1-110-495-11	ELECT	220uF	20%	25V	* CN304	1-564-711-11	PIN, CONNECTOR (ULTRA SMALL)9P			
C303	1-165-319-11	CERAMIC CHIP	0.1uF		50V			< DIODE >			
C304	1-165-319-11	CERAMIC CHIP	0.1uF		50V	D101	8-719-313-73	DIODE SFPB-52V			
C305	1-165-319-11	CERAMIC CHIP	0.1uF		50V	D102	8-719-911-19	DIODE 1SS133T-72			
C306	1-165-319-11	CERAMIC CHIP	0.1uF		50V	D103	8-719-313-73	DIODE SFPB-52V			
C307	1-115-197-11	ELECT	100uF	20%	25V	D201	8-719-313-73	DIODE SFPB-52V			
C308	1-165-319-11	CERAMIC CHIP	0.1uF		50V	D202	8-719-911-19	DIODE 1SS133T-72			
C309	1-115-197-11	ELECT	100uF	20%	25V	D203	8-719-313-73	DIODE SFPB-52V			
C310	1-165-319-11	CERAMIC CHIP	0.1uF		50V	D401	8-719-114-49	DIODE RD7.5JS-T2AB2			
C311	1-165-319-11	CERAMIC CHIP	0.1uF		50V	D402	8-719-114-49	DIODE RD7.5JS-T2AB2			
C312	1-165-319-11	CERAMIC CHIP	0.1uF		50V	D413	8-719-200-82	DIODE 11ES2-TA2B			
C313	1-165-319-11	CERAMIC CHIP	0.1uF		50V	D414	8-719-200-82	DIODE 11ES2-TA2B			
C314	1-165-319-11	CERAMIC CHIP	0.1uF		50V			< IC >			
C315	1-165-319-11	CERAMIC CHIP	0.1uF		50V	IC101	8-759-371-51	IC CXA8042AS			
C316	1-115-197-11	ELECT	100uF	20%	25V	IC102	8-759-259-12	IC OPA2604AP			
C317	1-165-319-11	CERAMIC CHIP	0.1uF		50V	IC103	8-759-566-39	IC OPA2132UA/2K5			
C318	1-165-319-11	CERAMIC CHIP	0.1uF		50V	IC104	8-759-296-74	IC AD712JR-REEL			
C322	1-110-495-11	ELECT	220uF	20%	25V	IC105	8-759-604-86	IC M5F7807L			
C323	1-137-306-11	FILM CHIP	0.1uF	5%	16V	IC106	8-759-604-90	IC M5F7907L			
C324	1-110-495-11	ELECT	220uF	20%	25V	IC107	8-759-296-74	IC AD712JR-REEL			
C326	1-117-775-31	FILM	0.1uF	10%	250V	IC108	8-759-585-00	IC LM6172IMX			
C327	1-115-197-11	ELECT	100uF	20%	25V	IC109	8-759-585-00	IC LM6172IMX			
C328	1-137-306-11	FILM CHIP	0.1uF	5%	16V	IC201	8-759-371-51	IC CXA8042AS			
C329	1-137-306-11	FILM CHIP	0.1uF	5%	16V	IC202	8-759-259-12	IC OPA2604AP			
C330	1-137-306-11	FILM CHIP	0.1uF	5%	16V	IC203	8-759-566-39	IC OPA2132UA/2K5			
C331	1-115-197-11	ELECT	100uF	20%	25V	IC204	8-759-296-74	IC AD712JR-REEL			
C332	1-137-306-11	FILM CHIP	0.1uF	5%	16V	IC205	8-759-604-86	IC M5F7807L			
C333	1-137-306-11	FILM CHIP	0.1uF	5%	16V	IC206	8-759-604-90	IC M5F7907L			
C334	1-115-197-11	ELECT	100uF	20%	25V	IC207	8-759-296-74	IC AD712JR-REEL			
C336	1-163-243-11	CERAMIC CHIP	47PF	5%	50V	IC208	8-759-585-00	IC LM6172IMX			
C337	1-165-319-11	CERAMIC CHIP	0.1uF		50V	IC209	8-759-585-00	IC LM6172IMX			
C338	1-163-005-11	CERAMIC CHIP	470PF	10%	50V	IC301	8-759-573-17	IC CXD8762AQ			
C401	1-117-775-31	FILM	0.1uF	10%	250V	IC302	8-759-476-47	IC CXD8594Q			
C402	1-117-775-31	FILM	0.1uF	10%	250V	IC304	8-759-711-58	IC NJM78L05UA-TE1			
C403	1-128-205-11	ELECT	1000uF	20%	63V	IC305	8-759-239-23	IC SN74HC86ANS-E05			
C404	1-128-205-11	ELECT	1000uF	20%	63V						
C405	1-125-857-21	FILM	820PF	5%	50V						

Ref. No.	Part No.	Description	Remark	Ref. No.	Part No.	Description	Remark
IC306	8-759-926-21	IC SN74HC161ANS-E05		Q402	8-729-141-10	TRANSISTOR 2SA985-Q	
IC307	8-759-926-21	IC SN74HC161ANS-E05		Q403	8-729-209-74	TRANSISTOR 2SA1213Y-TE12R	
IC308	8-759-231-53	IC M5F7805L					
IC309	8-759-711-58	IC NJM78L05UA-TE1		Q404	8-729-209-78	TRANSISTOR 2SC2873Y-TE12R	
		< SHORT >		Q405	8-729-209-78	TRANSISTOR 2SC2873Y-TE12R	
JW304	1-216-295-00	SHORT	0	Q406	8-729-209-74	TRANSISTOR 2SA1213Y-TE12R	
JW305	1-216-295-00	SHORT	0	Q407	8-729-209-78	TRANSISTOR 2SC2873Y-TE12R	
		< FERRITE BEAD >		Q408	8-729-209-74	TRANSISTOR 2SA1213Y-TE12R	
L304	1-414-553-11	FERRITE	0uH	Q409	8-729-036-56	FET 2SK208-GR-TE85L	
L305	1-414-553-11	FERRITE	0uH	Q410	8-729-036-56	FET 2SK208-GR-TE85L	
L306	1-414-553-11	FERRITE	0uH	Q411	8-729-209-74	TRANSISTOR 2SA1213Y-TE12R	
L307	1-414-553-11	FERRITE	0uH	Q412	8-729-209-78	TRANSISTOR 2SC2873Y-TE12R	
L308	1-414-553-11	FERRITE	0uH	Q413	8-729-036-56	FET 2SK208-GR-TE85L	
L309	1-414-553-11	FERRITE	0uH	Q414	8-729-036-56	FEET 2SK208-GR-TE85L	
L310	1-414-553-11	FERRITE	0uH	Q415	8-729-209-78	TRANSISTOR 2SC2873Y-TE12R	
L311	1-414-553-11	FERRITE	0uH	Q416	8-729-209-74	TRANSISTOR 2SA1213Y-TE12R	
L312	1-414-553-11	FERRITE	0uH	Q417	8-729-209-74	TRANSISTOR 2SA1213Y-TE12R	
L313	1-414-553-11	FERRITE	0uH	Q418	8-729-209-78	TRANSISTOR 2SC2873Y-TE12R	
L314	1-414-553-11	FERRITE	0uH			< RESISTOR >	
L316	1-414-553-11	FERRITE	0uH	R101	1-259-989-11	CARBON MELF 330 2% 1/8W	
L317	1-414-553-11	FERRITE	0uH	R102	1-259-989-11	CARBON MELF 330 2% 1/8W	
L318	1-414-553-11	FERRITE	0uH	R103	1-259-989-11	CARBON MELF 330 2% 1/8W	
L319	1-414-553-11	FERRITE	0uH	R104	1-259-989-11	CARBON MELF 330 2% 1/8W	
L320	1-414-553-11	FERRITE	0uH	R107	1-259-971-11	CARBON MELF 10 2% 1/8W	
		< PHOTO COUPLER/IC >		R108	1-259-971-11	CARBON MELF 10 2% 1/8W	
PHD301	8-749-013-16	IC PC357N2T		R109	1-259-971-11	CARBON MELF 10 2% 1/8W	
PHD302	8-749-013-16	IC PC357N2T		R110	1-259-971-11	CARBON MELF 10 2% 1/8W	
PHD303	8-749-924-62	PHOTO COUPLER PC410T		R111	1-259-549-11	CARBON 560 1% 1/2W	
PHD304	8-749-924-62	PHOTO COUPLER PC410T		R112	1-259-547-11	CARBON 470 1% 1/2W	
		< TRANSISTOR >		R113	1-259-547-11	CARBON 470 1% 1/2W	
Q101	8-729-209-74	TRANSISTOR 2SA1213Y-TE12R		R114	1-259-579-11	CARBON 10K 1% 1/2W	
Q102	8-729-209-78	TRANSISTOR 2SC2873Y-TE12R		R115	1-259-579-11	CARBON 10K 1% 1/2W	
Q103	8-729-209-78	TRANSISTOR 2SC2873Y-TE12R		R116	1-259-579-11	CARBON 10K 1% 1/2W	
Q104	8-729-209-78	TRANSISTOR 2SC2873Y-TE12R		R117	1-259-579-11	CARBON 10K 1% 1/2W	
Q105	8-729-209-74	TRANSISTOR 2SA1213Y-TE12R		R118	1-249-809-11	CARBON 2K 1% 1/2W	
Q106	8-729-209-74	TRANSISTOR 2SA1213Y-TE12R		R119	1-259-561-11	CARBON 1.8K 1% 1/2W	
Q107	8-729-141-58	TRANSISTOR 2SC2275-Q		R120	1-259-545-11	CARBON 390 1% 1/2W	
Q108	8-729-141-10	TRANSISTOR 2SA985-Q		R122	1-259-591-11	CARBON 33K 1% 1/2W	
Q109	8-729-209-74	TRANSISTOR 2SA1213Y-TE12R		R123	1-259-563-11	CARBON 2.2K 1% 1/2W	
Q201	8-729-209-74	TRANSISTOR 2SA1213Y-TE12R		R124	1-260-020-11	CARBON MELF 100K 2% 1/8W	
Q202	8-729-209-78	TRANSISTOR 2SC2873Y-TE12R		R125	1-216-254-00	CARBON MELF 220K 2% 1/8W	
Q203	8-729-209-78	TRANSISTOR 2SC2873Y-TE12R		R126	1-216-254-00	CARBON MELF 220K 2% 1/8W	
Q204	8-729-209-78	TRANSISTOR 2SC2873Y-TE12R		R127	1-259-531-11	CARBON 100 1% 1/2W	
Q205	8-729-209-74	TRANSISTOR 2SA1213Y-TE12R		R128	1-259-989-11	CARBON MELF 330 2% 1/8W	
Q206	8-729-209-74	TRANSISTOR 2SA1213Y-TE12R		R129	1-259-989-11	CARBON MELF 330 2% 1/8W	
Q207	8-729-141-58	TRANSISTOR 2SC2275-Q		R130	1-249-415-11	CARBON 680 5% 1/4W	
Q208	8-729-141-10	TRANSISTOR 2SA985-Q		R131	1-259-989-11	CARBON MELF 330 2% 1/8W	
Q209	8-729-209-74	TRANSISTOR 2SA1213Y-TE12R		R132	1-259-989-11	CARBON MELF 330 2% 1/8W	
Q301	8-729-209-74	TRANSISTOR 2SA1213Y-TE12R		R133	1-259-539-11	CARBON 220 1% 1/2W	
Q302	8-729-900-53	TRANSISTOR DTC114EKA-T146		R134	1-259-539-11	CARBON 220 1% 1/2W	
Q303	8-729-209-74	TRANSISTOR 2SA1213Y-TE12R		R135	1-259-519-11	CARBON 33 1% 1/2W	
Q304	8-729-900-53	TRANSISTOR DTC114EKA-T146		R136	1-249-415-11	CARBON 680 5% 1/4W	
Q401	8-729-141-58	TRANSISTOR 2SC2275-Q		R137	1-259-933-11	CARBON MELF 7.5K 2% 1/8W	
				R138	1-259-924-11	CARBON MELF 1.3K 2% 1/8W	
				R139	1-259-924-11	CARBON MELF 1.3K 2% 1/8W	
				R140	1-259-995-11	CARBON MELF 1K 2% 1/8W	
				R141	1-259-996-11	CARBON MELF 1.2K 2% 1/8W	
				R142	1-259-924-11	CARBON MELF 1.3K 2% 1/8W	

AUDIO

Ref. No.	Part No.	Description	Remark	Ref. No.	Part No.	Description	Remark
R143	1-259-924-11	CARBON MELF	1.3K 2% 1/8W	R312	1-216-037-00	METAL CHIP	330 5% 1/10W
R144	1-259-992-11	CARBON MELF	560 2% 1/8W	R313	1-216-037-00	METAL CHIP	330 5% 1/10W
R145	1-259-920-11	CARBON MELF	620 2% 1/8W	R314	1-216-037-00	METAL CHIP	330 5% 1/10W
R147	1-259-991-11	CARBON MELF	470 2% 1/8W	R315	1-216-037-00	METAL CHIP	330 5% 1/10W
R201	1-259-989-11	CARBON MELF	330 2% 1/8W	R316	1-216-037-00	METAL CHIP	330 5% 1/10W
R202	1-259-989-11	CARBON MELF	330 2% 1/8W	R317	1-216-037-00	METAL CHIP	330 5% 1/10W
R203	1-259-989-11	CARBON MELF	330 2% 1/8W	R318	1-216-037-00	METAL CHIP	330 5% 1/10W
R204	1-259-989-11	CARBON MELF	330 2% 1/8W	R319	1-216-037-00	METAL CHIP	330 5% 1/10W
R207	1-259-971-11	CARBON MELF	10 2% 1/8W	R320	1-216-037-00	METAL CHIP	330 5% 1/10W
R208	1-259-971-11	CARBON MELF	10 2% 1/8W	R321	1-216-037-00	METAL CHIP	330 5% 1/10W
R209	1-259-971-11	CARBON MELF	10 2% 1/8W	R322	1-216-037-00	METAL CHIP	330 5% 1/10W
R210	1-259-971-11	CARBON MELF	10 2% 1/8W	R323	1-216-049-11	RES, CHIP	1K 5% 1/10W
R211	1-259-549-11	CARBON	560 1% 1/2W	R325	1-216-041-00	METAL CHIP	470 5% 1/10W
R212	1-259-547-11	CARBON	470 1% 1/2W	R326	1-216-295-00	SHORT	0
R213	1-259-547-11	CARBON	470 1% 1/2W	R327	1-216-295-00	SHORT	0
R214	1-259-579-11	CARBON	10K 1% 1/2W	R328	1-216-295-00	SHORT	0
R215	1-259-579-11	CARBON	10K 1% 1/2W	R329	1-216-089-00	RES, CHIP	47K 5% 1/10W
R216	1-259-579-11	CARBON	10K 1% 1/2W	R330	1-216-073-00	METAL CHIP	10K 5% 1/10W
R217	1-259-579-11	CARBON	10K 1% 1/2W	R331	1-216-073-00	METAL CHIP	10K 5% 1/10W
R218	1-249-809-11	CARBON	2K 1% 1/2W	R332	1-216-049-11	RES, CHIP	1K 5% 1/10W
R219	1-259-561-11	CARBON	1.8K 1% 1/2W	R336	1-216-049-11	RES, CHIP	1K 5% 1/10W
R220	1-259-545-11	CARBON	390 1% 1/2W	R337	1-216-037-00	METAL CHIP	330 5% 1/10W
R222	1-259-531-11	CARBON	33K 1% 1/2W	△ R338	1-212-976-11	FUSIBLE	56 5% 1/2W F
R223	1-259-563-11	CARBON	2.2K 1% 1/2W	R339	1-216-073-00	METAL CHIP	10K 5% 1/10W
R224	1-260-020-11	CARBON MELF	100K 2% 1/8W	R340	1-216-081-00	METAL CHIP	22K 5% 1/10W
R225	1-216-254-00	CARBON MELF	220K 2% 1/8W	R341	1-216-037-00	METAL CHIP	330 5% 1/10W
R226	1-216-254-00	CARBON MELF	220K 2% 1/8W	R342	1-216-049-11	RES, CHIP	1K 5% 1/10W
R227	1-259-531-11	CARBON	100 1% 1/2W	R343	1-216-037-00	METAL CHIP	330 5% 1/10W
R228	1-259-989-11	CARBON MELF	330 2% 1/8W	R344	1-216-037-00	METAL CHIP	330 5% 1/10W
R229	1-259-989-11	CARBON MELF	330 2% 1/8W	R345	1-216-025-00	RES, CHIP	100 5% 1/10W
R230	1-249-415-11	CARBON	680 5% 1/4W	R346	1-216-025-00	RES, CHIP	100 5% 1/10W
R231	1-259-989-11	CARBON MELF	330 2% 1/8W	R347	1-216-295-00	SHORT	0
R232	1-259-989-11	CARBON MELF	330 2% 1/8W	R348	1-216-295-00	SHORT	0
R233	1-259-539-11	CARBON	220 1% 1/2W	R349	1-216-295-00	SHORT	0
R234	1-259-539-11	CARBON	220 1% 1/2W	R350	1-216-041-00	METAL CHIP	470 5% 1/10W
R235	1-259-519-11	CARBON	33 1% 1/2W	R351	1-216-041-00	METAL CHIP	470 5% 1/10W
R236	1-249-415-11	CARBON	680 5% 1/4W	R401	1-259-557-11	CARBON	1.2K 1% 1/2W
R237	1-259-933-11	CARBON MELF	7.5K 2% 1/8W	R402	1-259-557-11	CARBON	1.2K 1% 1/2W
R238	1-259-924-11	CARBON MELF	1.3K 2% 1/8W	R403	1-259-555-11	CARBON	1K 1% 1/2W
R239	1-259-924-11	CARBON MELF	1.3K 2% 1/8W	R404	1-259-555-11	CARBON	1K 1% 1/2W
R240	1-259-995-11	CARBON MELF	1K 2% 1/8W	R405	1-260-001-11	CARBON MELF	2.7K 2% 1/8W
R241	1-259-996-11	CARBON MELF	1.2K 2% 1/8W	R406	1-260-001-11	CARBON MELF	2.7K 2% 1/8W
R242	1-259-924-11	CARBON MELF	1.3K 2% 1/8W	R407	1-260-001-11	CARBON MELF	2.7K 2% 1/8W
R243	1-259-924-11	CARBON MELF	1.3K 2% 1/8W	R408	1-260-001-11	CARBON MELF	2.7K 2% 1/8W
R244	1-259-992-11	CARBON MELF	560 2% 1/8W	R409	1-259-988-11	CARBON MELF	270 2% 1/8W
R245	1-259-920-11	CARBON MELF	620 2% 1/8W	R410	1-259-988-11	CARBON MELF	270 2% 1/8W
R247	1-259-991-11	CARBON MELF	470 2% 1/8W	R411	1-259-559-11	CARBON	1.5K 1% 1/2W
R302	1-216-037-00	METAL CHIP	330 5% 1/10W	R412	1-259-559-11	CARBON	1.5K 1% 1/2W
△ R303	1-212-976-11	FUSIBLE	56 5% 1/2W F	R413	1-260-008-11	CARBON MELF	10K 2% 1/8W
R304	1-216-073-00	METAL CHIP	10K 5% 1/10W	R414	1-260-008-11	CARBON MELF	10K 2% 1/8W
R305	1-216-081-00	METAL CHIP	22K 5% 1/10W	R415	1-259-571-11	CARBON	4.7K 1% 1/2W
R306	1-216-037-00	METAL CHIP	330 5% 1/10W	R416	1-259-571-11	CARBON	4.7K 1% 1/2W
R307	1-216-295-00	SHORT	0	R417	1-259-999-11	CARBON MELF	2.2K 2% 1/8W
R308	1-216-041-00	METAL CHIP	470 5% 1/10W	R418	1-259-999-11	CARBON MELF	2.2K 2% 1/8W
R309	1-216-041-00	METAL CHIP	470 5% 1/10W	R419	1-249-415-11	CARBON	680 5% 1/4W
R310	1-216-037-00	METAL CHIP	330 5% 1/10W	R420	1-249-415-11	CARBON	680 5% 1/4W
R311	1-216-037-00	METAL CHIP	330 5% 1/10W	R421	1-259-995-11	CARBON MELF	1K 2% 1/8W

The components identified by mark △ or dotted line with mark △ are critical for safety. Replace only with part number specified.

Les composants identifiés par une marque △ sont critiques pour la sécurité. Ne les remplacer que par une pièce portant le numéro spécifié.

AUDIO

BAL

COAX

Ref. No.	Part No.	Description	Remark
R422	1-259-995-11	CARBON MELF 1K	2% 1/8W
R423	1-259-995-11	CARBON MELF 1K	2% 1/8W
R424	1-259-995-11	CARBON MELF 1K	2% 1/8W
R425	1-249-415-11	CARBON 680	5% 1/4W
R426	1-249-415-11	CARBON 680	5% 1/4W
R427	1-259-525-11	CARBON 56	1% 1/2W
R428	1-259-525-11	CARBON 56	1% 1/2W
R440	1-259-672-11	CARBON 680	2% 1W
< RELAY >			
RY101	1-755-294-11	RELAY	
RY102	1-755-294-11	RELAY	
RY201	1-755-294-11	RELAY	
RY202	1-755-294-11	RELAY	
< VIBRATOR >			
X301	1-781-384-11	OSCILLATOR, CRYSTAL (45MHZ)	

A-4724-931-A	BAL BOARD, COMPLETE (SCD-1)		

< CAPACITOR >			
C171	1-128-997-11	FILM CHIP 0.047uF	5% 50V
C172	1-128-997-11	FILM CHIP 0.047uF	5% 50V
C173	1-136-810-11	FILM 220PF	5% 100V
C174	1-136-810-11	FILM 220PF	5% 100V
C175	1-136-810-11	FILM 220PF	5% 100V
C176	1-136-810-11	FILM 220PF	5% 100V
C177	1-117-775-31	FILM 0.1uF	10% 250V
C178	1-117-775-31	FILM 0.1uF	10% 250V
C179	1-119-810-11	ELECT 100uF	20% 35V
C180	1-119-810-11	ELECT 100uF	20% 35V
C271	1-128-997-11	FILM CHIP 0.047uF	5% 50V
C272	1-128-997-11	FILM CHIP 0.047uF	5% 50V
C273	1-136-810-11	FILM 220PF	5% 100V
C274	1-136-810-11	FILM 220PF	5% 100V
C275	1-136-810-11	FILM 220PF	5% 100V
C276	1-136-810-11	FILM 220PF	5% 100V
C277	1-117-775-31	FILM 0.1uF	10% 250V
C278	1-117-775-31	FILM 0.1uF	10% 250V
C279	1-119-810-11	ELECT 100uF	20% 35V
C280	1-119-810-11	ELECT 100uF	20% 35V
< CONNECTOR >			
* CN170	1-564-519-11	PLUG, CONNECTOR 4P	
* CN171	1-564-521-11	PLUG, CONNECTOR 6P	
CN173	1-564-718-11	PIN, CONNECTOR (SMALL TYPE) 2P	
< DIODE >			
D171	8-719-911-19	DIODE 1SS133T-72	
D172	8-719-911-19	DIODE 1SS133T-72	
< IC >			
IC171	8-759-296-74	IC AD712JR-REEL	
IC271	8-759-296-74	IC AD712JR-REEL	

Ref. No.	Part No.	Description	Remark
< RESISTOR >			
R171	1-260-008-11	CARBON MELF 10K	2% 1/8W
R172	1-260-008-11	CARBON MELF 10K	2% 1/8W
R173	1-260-008-11	CARBON MELF 10K	2% 1/8W
R174	1-260-008-11	CARBON MELF 10K	2% 1/8W
R175	1-260-008-11	CARBON MELF 10K	2% 1/8W
R176	1-260-008-11	CARBON MELF 10K	2% 1/8W
R177	1-260-008-11	CARBON MELF 10K	2% 1/8W
R178	1-260-008-11	CARBON MELF 10K	2% 1/8W
R179	1-259-983-11	CARBON MELF 100	2% 1/8W
R180	1-259-983-11	CARBON MELF 100	2% 1/8W
R181	1-259-983-11	CARBON MELF 100	2% 1/8W
R184	1-259-983-11	CARBON MELF 100	2% 1/8W
R185	1-260-020-11	CARBON MELF 100K	2% 1/8W
R186	1-260-020-11	CARBON MELF 100K	2% 1/8W
R271	1-260-008-11	CARBON MELF 10K	2% 1/8W
R272	1-260-008-11	CARBON MELF 10K	2% 1/8W
R273	1-260-008-11	CARBON MELF 10K	2% 1/8W
R274	1-260-008-11	CARBON MELF 10K	2% 1/8W
R275	1-260-008-11	CARBON MELF 10K	2% 1/8W
R276	1-260-008-11	CARBON MELF 10K	2% 1/8W
R277	1-260-008-11	CARBON MELF 10K	2% 1/8W
R278	1-260-008-11	CARBON MELF 10K	2% 1/8W
R279	1-259-983-11	CARBON MELF 100	2% 1/8W
R280	1-259-983-11	CARBON MELF 100	2% 1/8W
R281	1-259-983-11	CARBON MELF 100	2% 1/8W
R284	1-259-983-11	CARBON MELF 100	2% 1/8W
R285	1-260-020-11	CARBON MELF 100K	2% 1/8W
R286	1-260-020-11	CARBON MELF 100K	2% 1/8W
< RELAY >			
RY170	1-755-294-11	RELAY	
RY171	1-755-294-11	RELAY	

A-4724-524-A	COAX BOARD, COMPLETE		

< CAPACITOR >			
C990	1-136-850-11	FILM 0.1uF	5% 63V
C991	1-107-611-11	CAPACITOR 100PF	5% 500V
C992	1-104-645-11	CERAMIC 1uF	20% 50V
C993	1-164-732-11	CERAMIC 0.1uF	20% 50V
C994	1-164-732-11	CERAMIC 0.1uF	20% 50V
C996	1-163-117-00	CERAMIC CHIP 100PF	5% 50V
< CONNECTOR >			
* CN991	1-568-943-11	PIN, CONNECTOR 5P	
* CN992	1-564-719-31	PIN, CONNECTOR (SMALL TYPE) 3P	
* CN993	1-564-719-11	PIN, CONNECTOR (SMALL TYPE) 3P	
< IC >			
IC990	8-759-242-70	IC TC7WU04F-TE12L	
< JACK >			
J990	1-507-567-71	JACK, PIN 1P (DIGITAL OUT (CD) COAXIAL)	

COAX

DISPLAY

Ref. No.	Part No.	Description	Remark
< RESISTOR >			
R990	1-259-909-11	CARBON MELF 75	2% 1/8W
R991	1-259-987-11	CARBON MELF 220	2% 1/8W
< COIL >			
T991	1-459-795-11	COIL (WITH CORE)	

A-4724-528-A	DISPLAY BOARD, COMPLETE		

* 4-987-501-01	HOLDER (FL)		
< CAPACITOR >			
C1001	1-104-665-11	ELECT	100uF 20% 10V
C1002	1-164-159-11	CERAMIC	0.1uF 50V
C1003	1-164-159-11	CERAMIC	0.1uF 50V
C1004	1-162-215-31	CERAMIC	47PF 5% 50V
C1005	1-162-294-31	CERAMIC	0.001uF 10% 50V
C1006	1-164-159-11	CERAMIC	0.1uF 50V
C1007	1-164-159-11	CERAMIC	0.1uF 50V
C1008	1-164-159-11	CERAMIC	0.1uF 50V
C1010	1-164-159-11	CERAMIC	0.1uF 50V
C1011	1-162-282-31	CERAMIC	100PF 10% 50V
C1012	1-162-282-31	CERAMIC	100PF 10% 50V
C1013	1-162-282-31	CERAMIC	100PF 10% 50V
C1014	1-162-282-31	CERAMIC	100PF 10% 50V
C1015	1-162-282-31	CERAMIC	100PF 10% 50V
C1016	1-162-282-31	CERAMIC	100PF 10% 50V
C1017	1-162-282-31	CERAMIC	100PF 10% 50V
C1018	1-162-282-31	CERAMIC	100PF 10% 50V
C1019	1-162-282-31	CERAMIC	100PF 10% 50V
C1020	1-164-159-11	CERAMIC	0.1uF 50V
C1021	1-104-664-11	ELECT	47uF 20% 10V
C1022	1-164-159-11	CERAMIC	0.1uF 50V
C1023	1-164-159-11	CERAMIC	0.1uF 50V
C1080	1-164-159-11	CERAMIC	0.1uF 50V
< CONNECTOR >			
* CN1003	1-564-709-11	PIN, CONNECTOR (SMALL TYPE) 7P	
< DIODE >			
D1005	8-719-911-19	DIODE 1SS133T-72	
< FLUORESCENT INDICATOR TUBE >			
FL1001	1-517-879-11	INDICATOR TUBE, FLUORESCENT	
< IC >			
IC1001	8-752-904-71	IC CXP84120-082Q	
IC1002	8-759-583-23	IC MSM9201-03GS-K	
IC1003	8-759-459-86	IC NJL64H400A (■)	
< TRANSISTOR >			
Q1001	8-729-120-28	TRANSISTOR	2SC2412K-T-146-QR
Q1002	8-729-120-28	TRANSISTOR	2SC2412K-T-146-QR
Q1003	8-729-120-28	TRANSISTOR	2SC2412K-T-146-QR
Q1004	8-729-120-28	TRANSISTOR	2SC2412K-T-146-QR

Ref. No.	Part No.	Description	Remark
Q1005	8-729-120-28	TRANSISTOR	2SC2412K-T-146-QR
Q1006	8-729-120-28	TRANSISTOR	2SC2412K-T-146-QR
Q1007	8-729-120-28	TRANSISTOR	2SC2412K-T-146-QR
Q1008	8-729-120-28	TRANSISTOR	2SC2412K-T-146-QR
Q1009	8-729-120-28	TRANSISTOR	2SC2412K-T-146-QR
Q1010	8-729-120-28	TRANSISTOR	2SC2412K-T-146-QR
Q1011	8-729-120-28	TRANSISTOR	2SC2412K-T-146-QR
Q1012	8-729-120-28	TRANSISTOR	2SC2412K-T-146-QR
Q1021	8-729-027-23	TRANSISTOR	DTA114EKA-T146
Q1022	8-729-027-23	TRANSISTOR	DTA114EKA-T146
Q1023	8-729-027-23	TRANSISTOR	DTA114EKA-T146
Q1024	8-729-027-23	TRANSISTOR	DTA114EKA-T146
< RESISTOR >			
R1001	1-216-025-00	RES, CHIP	100 5% 1/10W
R1002	1-216-025-00	RES, CHIP	100 5% 1/10W
R1003	1-216-025-00	RES, CHIP	100 5% 1/10W
R1004	1-216-025-00	RES, CHIP	100 5% 1/10W
R1005	1-216-025-00	RES, CHIP	100 5% 1/10W
R1006	1-216-025-00	RES, CHIP	100 5% 1/10W
R1007	1-216-025-00	RES, CHIP	100 5% 1/10W
R1008	1-216-025-00	RES, CHIP	100 5% 1/10W
R1009	1-216-025-00	RES, CHIP	100 5% 1/10W
R1010	1-216-025-00	RES, CHIP	100 5% 1/10W
R1011	1-216-025-00	RES, CHIP	100 5% 1/10W
R1012	1-216-025-00	RES, CHIP	100 5% 1/10W
R1021	1-216-089-00	RES, CHIP	47K 5% 1/10W
R1022	1-216-089-00	RES, CHIP	47K 5% 1/10W
R1023	1-216-089-00	RES, CHIP	47K 5% 1/10W
R1024	1-216-089-00	RES, CHIP	47K 5% 1/10W
R1025	1-216-089-00	RES, CHIP	47K 5% 1/10W
R1026	1-216-089-00	RES, CHIP	47K 5% 1/10W
R1027	1-216-089-00	RES, CHIP	47K 5% 1/10W
R1028	1-216-089-00	RES, CHIP	47K 5% 1/10W
R1029	1-216-089-00	RES, CHIP	47K 5% 1/10W
R1030	1-216-089-00	RES, CHIP	47K 5% 1/10W
R1031	1-216-089-00	RES, CHIP	47K 5% 1/10W
R1032	1-216-089-00	RES, CHIP	47K 5% 1/10W
R1033	1-216-089-00	RES, CHIP	47K 5% 1/10W
R1034	1-247-843-11	CARBON	3.3K 5% 1/4W
R1035	1-247-807-31	CARBON	100 5% 1/4W
R1042	1-247-807-31	CARBON	100 5% 1/4W
R1043	1-247-807-31	CARBON	100 5% 1/4W
R1044	1-247-807-31	CARBON	100 5% 1/4W
R1045	1-247-807-31	CARBON	100 5% 1/4W
R1046	1-247-807-31	CARBON	100 5% 1/4W
R1047	1-249-427-11	CARBON	6.8K 5% 1/4W
R1048	1-249-427-11	CARBON	6.8K 5% 1/4W
R1068	1-249-429-11	CARBON	10K 5% 1/4W
R1071	1-249-429-11	CARBON	10K 5% 1/4W
R1072	1-249-429-11	CARBON	10K 5% 1/4W
R1073	1-249-429-11	CARBON	10K 5% 1/4W
R1074	1-249-429-11	CARBON	10K 5% 1/4W
R1075	1-249-429-11	CARBON	10K 5% 1/4W
R1076	1-249-429-11	CARBON	10K 5% 1/4W
R1077	1-249-429-11	CARBON	10K 5% 1/4W
R1078	1-249-429-11	CARBON	10K 5% 1/4W

DISPLAY

LOAD-CN

LOAD-MOT

LOAD-SW

MAIN

Ref. No.	Part No.	Description	Remark	Ref. No.	Part No.	Description	Remark
R1080	1-249-429-11	CARBON	10K 5% 1/4W	C519	1-162-970-11	CERAMIC CHIP 0.01uF 10% 25V	
R1081	1-249-429-11	CARBON	10K 5% 1/4W	C520	1-128-004-11	ELECT CHIP 10uF 20% 16V	
R1082	1-249-429-11	CARBON	10K 5% 1/4W	C521	1-107-826-11	CERAMIC CHIP 0.1uF 10% 16V	
		< VIBRATOR >		C522	1-107-826-11	CERAMIC CHIP 0.1uF 10% 16V	
X1001	1-579-125-11	VIBRATOR, CERAMIC (8MHZ)		C523	1-162-970-11	CERAMIC CHIP 0.01uF 10% 25V	

	1-673-867-12	LOAD-CN BOARD		C524	1-107-548-11	ELECT CHIP 22uF 20% 16V	
		*****		C525	1-164-245-11	CERAMIC CHIP 0.015uF 10% 25V	
		< CONNECTOR >		C526	1-162-966-11	CERAMIC CHIP 0.0022uF 10% 50V	
* CN016	1-573-044-11	SOCKET, CONNECTOR 5P		C527	1-162-966-11	CERAMIC CHIP 0.0022uF 10% 50V	
* CN017	1-564-721-11	PIN, CONNECTOR (SMALL TYPE) 5P		C528	1-119-750-11	TANTALUM CHIP 22uF 20% 6.3V	

	1-673-864-12	LOAD-MOT BOARD		C530	1-107-826-11	CERAMIC CHIP 0.1uF 10% 16V	
		*****		C531	1-107-826-11	CERAMIC CHIP 0.1uF 10% 16V	
		< CAPACITOR >		C532	1-107-826-11	CERAMIC CHIP 0.1uF 10% 16V	
C091	1-164-159-11	CERAMIC	0.1uF 50V	C533	1-107-826-11	CERAMIC CHIP 0.1uF 10% 16V	
		< CONNECTOR >		C534	1-107-548-11	ELECT CHIP 22uF 20% 16V	
* CN013	1-564-719-41	PIN, CONNECTOR (SMALL TYPE) 3P		C535	1-107-682-11	CERAMIC CHIP 1uF 10% 16V	

	1-673-865-12	LOAD-SW BOARD		C536	1-162-970-11	CERAMIC CHIP 0.01uF 10% 25V	
		*****		C537	1-124-778-00	ELECT CHIP 22uF 20% 6.3V	
* CN012	1-564-719-41	PIN, CONNECTOR (SMALL TYPE) 3P		C540	1-164-230-11	CERAMIC CHIP 220PF 5% 50V	
		< SWITCH >		C542	1-115-414-11	CERAMIC CHIP 820PF 5% 25V	
S003	1-771-638-11	SWITCH, PUSH (1 KEY) (OPEN)		C543	1-107-826-11	CERAMIC CHIP 0.1uF 10% 16V	
S004	1-771-638-11	SWITCH, PUSH (1 KEY) (CLOSE)		C544	1-107-826-11	CERAMIC CHIP 0.1uF 10% 16V	

	A-4724-951-A	MAIN BOARD, COMPLETE		C545	1-107-826-11	CERAMIC CHIP 0.1uF 10% 16V	
		*****		C546	1-107-826-11	CERAMIC CHIP 0.1uF 10% 16V	
* 1-251-496-21		SOCKET, IC		C547	1-162-927-11	CERAMIC CHIP 100PF 5% 50V	
* 3-709-100-01		COVER, IC SOCKET		C548	1-110-563-11	CERAMIC CHIP 0.068uF 10% 16V	
		< CAPACITOR >		C549	1-164-230-11	CERAMIC CHIP 220PF 5% 50V	
C501	1-162-970-11	CERAMIC CHIP	0.01uF 10% 25V	C550	1-115-414-11	CERAMIC CHIP 820PF 5% 25V	
C502	1-162-970-11	CERAMIC CHIP	0.01uF 10% 25V	C551	1-115-414-11	CERAMIC CHIP 820PF 5% 25V	
C504	1-125-838-11	CERAMIC CHIP	2.2uF 10% 6.3V	C552	1-107-826-11	CERAMIC CHIP 0.1uF 10% 16V	
C505	1-162-968-11	CERAMIC CHIP	0.0047uF 10% 50V	C553	1-107-826-11	CERAMIC CHIP 0.1uF 10% 16V	
C506	1-162-970-11	CERAMIC CHIP	0.01uF 10% 25V	C554	1-107-826-11	CERAMIC CHIP 0.1uF 10% 16V	
C507	1-109-982-11	CERAMIC CHIP	1uF 10% 10V	C556	1-107-548-11	ELECT CHIP 22uF 20% 16V	
C508	1-107-826-11	CERAMIC CHIP	0.1uF 10% 16V	C557	1-162-970-11	CERAMIC CHIP 0.01uF 10% 25V	
C509	1-107-826-11	CERAMIC CHIP	0.1uF 10% 16V	C559	1-124-778-00	ELECT CHIP 22uF 20% 6.3V	
C510	1-107-826-11	CERAMIC CHIP	0.1uF 10% 16V	C560	1-107-548-11	ELECT CHIP 22uF 20% 16V	
C511	1-162-970-11	CERAMIC CHIP	0.01uF 10% 25V	C561	1-162-970-11	CERAMIC CHIP 0.01uF 10% 25V	
C512	1-107-548-11	ELECT CHIP	22uF 20% 16V	C562	1-162-970-11	CERAMIC CHIP 0.01uF 10% 25V	
C513	1-164-315-11	CERAMIC CHIP	470PF 5% 50V	C563	1-162-970-11	CERAMIC CHIP 0.01uF 10% 25V	
C514	1-162-967-11	CERAMIC CHIP	0.0033uF 10% 50V	C564	1-128-004-11	ELECT CHIP 10uF 20% 16V	
C516	1-126-193-11	ELECT	1uF 20% 50V	C565	1-124-778-00	ELECT CHIP 22uF 20% 6.3V	
C517	1-162-967-11	CERAMIC CHIP	0.0033uF 10% 50V	C566	1-107-826-11	CERAMIC CHIP 0.1uF 10% 16V	
C518	1-165-176-11	CERAMIC CHIP	0.047uF 10% 16V	C567	1-104-851-11	TANTALUM CHIP 10uF 20% 10V	
				C568	1-162-970-11	CERAMIC CHIP 0.01uF 10% 25V	
				C569	1-107-826-11	CERAMIC CHIP 0.1uF 10% 16V	
				C570	1-104-851-11	TANTALUM CHIP 10uF 20% 10V	
				C571	1-124-778-00	ELECT CHIP 22uF 20% 6.3V	
				C572	1-164-677-11	CERAMIC CHIP 0.033uF 10% 16V	
				C573	1-164-217-11	CERAMIC CHIP 150PF 5% 50V	
				C574	1-162-970-11	CERAMIC CHIP 0.01uF 10% 25V	
				C575	1-162-925-11	CERAMIC CHIP 68PF 5% 50V	
				C576	1-164-230-11	CERAMIC CHIP 220PF 5% 50V	
				C577	1-162-970-11	CERAMIC CHIP 0.01uF 10% 25V	
				C579	1-164-217-11	CERAMIC CHIP 150PF 5% 50V	
				C580	1-164-677-11	CERAMIC CHIP 0.033uF 10% 16V	
				C581	1-115-467-11	CERAMIC CHIP 0.22uF 10% 10V	
				C582	1-164-230-11	CERAMIC CHIP 220PF 5% 50V	
				C583	1-162-970-11	CERAMIC CHIP 0.01uF 10% 25V	

MAIN

Ref. No.	Part No.	Description	Remark	Ref. No.	Part No.	Description	Remark
C584	1-162-970-11	CERAMIC CHIP	0.01uF 10% 25V	C725	1-162-970-11	CERAMIC CHIP	0.01uF 10% 25V
C585	1-125-891-11	CERAMIC CHIP	0.47uF 10% 10V	C726	1-162-970-11	CERAMIC CHIP	0.01uF 10% 25V
C586	1-164-245-11	CERAMIC CHIP	0.015uF 10% 25V	C727	1-162-970-11	CERAMIC CHIP	0.01uF 10% 25V
C587	1-162-970-11	CERAMIC CHIP	0.01uF 10% 25V	C728	1-162-970-11	CERAMIC CHIP	0.01uF 10% 25V
C588	1-162-970-11	CERAMIC CHIP	0.01uF 10% 25V	C729	1-162-970-11	CERAMIC CHIP	0.01uF 10% 25V
C589	1-162-970-11	CERAMIC CHIP	0.01uF 10% 25V	C730	1-162-970-11	CERAMIC CHIP	0.01uF 10% 25V
C590	1-162-970-11	CERAMIC CHIP	0.01uF 10% 25V	C731	1-162-970-11	CERAMIC CHIP	0.01uF 10% 25V
C591	1-124-778-00	ELECT CHIP	22uF 20% 6.3V	C732	1-162-970-11	CERAMIC CHIP	0.01uF 10% 25V
C592	1-107-826-11	CERAMIC CHIP	0.1uF 10% 16V	C733	1-162-970-11	CERAMIC CHIP	0.01uF 10% 25V
C593	1-162-970-11	CERAMIC CHIP	0.01uF 10% 25V	C734	1-162-970-11	CERAMIC CHIP	0.01uF 10% 25V
C594	1-124-778-00	ELECT CHIP	22uF 20% 6.3V	C735	1-162-970-11	CERAMIC CHIP	0.01uF 10% 25V
C595	1-162-970-11	CERAMIC CHIP	0.01uF 10% 25V	C736	1-162-970-11	CERAMIC CHIP	0.01uF 10% 25V
C596	1-162-970-11	CERAMIC CHIP	0.01uF 10% 25V	C737	1-107-548-11	ELECT CHIP	22uF 20% 16V
C597	1-107-826-11	CERAMIC CHIP	0.1uF 10% 16V	C738	1-162-970-11	CERAMIC CHIP	0.01uF 10% 25V
C598	1-128-004-11	ELECT CHIP	10uF 20% 16V	C739	1-124-778-00	ELECT CHIP	22uF 20% 6.3V
C599	1-162-970-11	CERAMIC CHIP	0.01uF 10% 25V	C740	1-162-970-11	CERAMIC CHIP	0.01uF 10% 25V
C600	1-107-826-11	CERAMIC CHIP	0.1uF 10% 16V	C741	1-162-970-11	CERAMIC CHIP	0.01uF 10% 25V
C601	1-128-004-11	ELECT CHIP	10uF 20% 16V	C742	1-162-970-11	CERAMIC CHIP	0.01uF 10% 25V
C603	1-162-970-11	CERAMIC CHIP	0.01uF 10% 25V	C743	1-162-970-11	CERAMIC CHIP	0.01uF 10% 25V
C604	1-162-970-11	CERAMIC CHIP	0.01uF 10% 25V	C744	1-162-970-11	CERAMIC CHIP	0.01uF 10% 25V
C605	1-162-970-11	CERAMIC CHIP	0.01uF 10% 25V	C745	1-162-915-11	CERAMIC CHIP	10PF 0.5PF 50V
C606	1-107-826-11	CERAMIC CHIP	0.1uF 10% 16V	C746	1-162-970-11	CERAMIC CHIP	0.01uF 10% 25V
C607	1-107-826-11	CERAMIC CHIP	0.1uF 10% 16V	C747	1-162-970-11	CERAMIC CHIP	0.01uF 10% 25V
C608	1-162-970-11	CERAMIC CHIP	0.01uF 10% 25V	C748	1-162-915-11	CERAMIC CHIP	10PF 0.5PF 50V
C609	1-164-677-11	CERAMIC CHIP	0.033uF 10% 16V	C749	1-128-004-11	ELECT CHIP	10uF 20% 16V
C616	1-162-970-11	CERAMIC CHIP	0.01uF 10% 25V	C750	1-162-970-11	CERAMIC CHIP	0.01uF 10% 25V
C617	1-162-970-11	CERAMIC CHIP	0.01uF 10% 25V	C751	1-162-970-11	CERAMIC CHIP	0.01uF 10% 25V
C618	1-115-416-11	CERAMIC CHIP	1000PF 5% 25V	C752	1-162-970-11	CERAMIC CHIP	0.01uF 10% 25V
C619	1-109-982-11	CERAMIC CHIP	1uF 10% 10V	C753	1-162-970-11	CERAMIC CHIP	0.01uF 10% 25V
C620	1-162-970-11	CERAMIC CHIP	0.01uF 10% 25V	C754	1-162-923-11	CERAMIC CHIP	47PF 5% 50V
C621	1-115-156-11	CERAMIC CHIP	1uF 10% 10V	C755	1-162-923-11	CERAMIC CHIP	47PF 5% 50V
C622	1-109-982-11	CERAMIC CHIP	1uF 10% 10V	C756	1-164-677-11	CERAMIC CHIP	0.033uF 10% 16V
C623	1-107-826-11	CERAMIC CHIP	0.1uF 10% 16V	C757	1-107-826-11	CERAMIC CHIP	0.1uF 10% 16V
C701	1-107-548-11	ELECT CHIP	22uF 20% 16V	C758	1-162-970-11	CERAMIC CHIP	0.01uF 10% 25V
C702	1-107-548-11	ELECT CHIP	22uF 20% 16V	C759	1-128-004-11	ELECT CHIP	10uF 20% 16V
C703	1-107-548-11	ELECT CHIP	22uF 20% 16V	C760	1-107-725-11	CERAMIC CHIP	0.1uF 10% 16V
C704	1-107-548-11	ELECT CHIP	22uF 20% 16V	C761	1-107-548-11	ELECT CHIP	22uF 20% 16V
C705	1-107-548-11	ELECT CHIP	22uF 20% 16V	C762	1-162-970-11	CERAMIC CHIP	0.01uF 10% 25V
C706	1-107-548-11	ELECT CHIP	22uF 20% 16V	C763	1-107-548-11	ELECT CHIP	22uF 20% 16V
C707	1-162-970-11	CERAMIC CHIP	0.01uF 10% 25V	C764	1-162-970-11	CERAMIC CHIP	0.01uF 10% 25V
C708	1-104-851-11	TANTALUM CHIP	10uF 20% 10V	C765	1-107-826-11	CERAMIC CHIP	0.1uF 10% 16V
C709	1-162-970-11	CERAMIC CHIP	0.01uF 10% 25V	C766	1-107-826-11	CERAMIC CHIP	0.1uF 10% 16V
C710	1-162-970-11	CERAMIC CHIP	0.01uF 10% 25V	C767	1-162-970-11	CERAMIC CHIP	0.01uF 10% 25V
C711	1-162-970-11	CERAMIC CHIP	0.01uF 10% 25V	C768	1-162-970-11	CERAMIC CHIP	0.01uF 10% 25V
C712	1-107-826-11	CERAMIC CHIP	0.1uF 10% 16V	C769	1-162-970-11	CERAMIC CHIP	0.01uF 10% 25V
C713	1-164-677-11	CERAMIC CHIP	0.033uF 10% 16V	C770	1-124-778-00	ELECT CHIP	22uF 20% 6.3V
C714	1-164-227-11	CERAMIC CHIP	0.022uF 10% 25V	C771	1-162-970-11	CERAMIC CHIP	0.01uF 10% 25V
C715	1-162-970-11	CERAMIC CHIP	0.01uF 10% 25V	C772	1-162-923-11	CERAMIC CHIP	47PF 5% 50V
C716	1-107-826-11	CERAMIC CHIP	0.1uF 10% 16V	C774	1-162-923-11	CERAMIC CHIP	47PF 5% 50V
C717	1-162-970-11	CERAMIC CHIP	0.01uF 10% 25V	C775	1-162-970-11	CERAMIC CHIP	0.01uF 10% 25V
C718	1-107-826-11	CERAMIC CHIP	0.1uF 10% 16V	C776	1-162-970-11	CERAMIC CHIP	0.01uF 10% 25V
C719	1-107-826-11	CERAMIC CHIP	0.1uF 10% 16V	C777	1-162-970-11	CERAMIC CHIP	0.01uF 10% 25V
C720	1-107-826-11	CERAMIC CHIP	0.1uF 10% 16V	C778	1-107-549-11	ELECT CHIP	33uF 20% 16V
C721	1-164-344-11	CERAMIC CHIP	0.068uF 10% 25V	C779	1-162-970-11	CERAMIC CHIP	0.01uF 10% 25V
C722	1-107-826-11	CERAMIC CHIP	0.1uF 10% 16V	C780	1-162-970-11	CERAMIC CHIP	0.01uF 10% 25V
C723	1-162-927-11	CERAMIC CHIP	100PF 5% 50V	C781	1-162-970-11	CERAMIC CHIP	0.01uF 10% 25V
C724	1-107-826-11	CERAMIC CHIP	0.1uF 10% 16V	C782	1-162-970-11	CERAMIC CHIP	0.01uF 10% 25V
				C783	1-162-970-11	CERAMIC CHIP	0.01uF 10% 25V

Ref. No.	Part No.	Description	Remark			Ref. No.	Part No.	Description	Remark		
C785	1-162-923-11	CERAMIC CHIP	47PF	5%	50V	C851	1-162-970-11	CERAMIC CHIP	0.01uF	10%	25V
C786	1-107-548-11	ELECT CHIP	22uF	20%	16V	C857	1-162-970-11	CERAMIC CHIP	0.01uF	10%	25V
C787	1-162-970-11	CERAMIC CHIP	0.01uF	10%	25V	C858	1-162-970-11	CERAMIC CHIP	0.01uF	10%	25V
C788	1-107-548-11	ELECT CHIP	22uF	20%	16V	C860	1-162-970-11	CERAMIC CHIP	0.01uF	10%	25V
C789	1-162-970-11	CERAMIC CHIP	0.01uF	10%	25V	C861	1-162-970-11	CERAMIC CHIP	0.01uF	10%	25V
C790	1-125-838-11	CERAMIC CHIP	2.2uF	10%	6.3V	C862	1-162-970-11	CERAMIC CHIP	0.01uF	10%	25V
C791	1-162-970-11	CERAMIC CHIP	0.01uF	10%	25V	C863	1-162-970-11	CERAMIC CHIP	0.01uF	10%	25V
C793	1-162-927-11	CERAMIC CHIP	100PF	5%	50V	C865	1-162-970-11	CERAMIC CHIP	0.01uF	10%	25V
C794	1-162-927-11	CERAMIC CHIP	100PF	5%	50V	C866	1-162-970-11	CERAMIC CHIP	0.01uF	10%	25V
C795	1-162-927-11	CERAMIC CHIP	100PF	5%	50V	C867	1-162-970-11	CERAMIC CHIP	0.01uF	10%	25V
C796	1-162-970-11	CERAMIC CHIP	0.01uF	10%	25V	C868	1-162-970-11	CERAMIC CHIP	0.01uF	10%	25V
C797	1-162-970-11	CERAMIC CHIP	0.01uF	10%	25V	C869	1-162-970-11	CERAMIC CHIP	0.01uF	10%	25V
C798	1-162-923-11	CERAMIC CHIP	47PF	5%	50V	C871	1-162-970-11	CERAMIC CHIP	0.01uF	10%	25V
C799	1-107-548-11	ELECT CHIP	22uF	20%	16V	C872	1-162-970-11	CERAMIC CHIP	0.01uF	10%	25V
C800	1-162-970-11	CERAMIC CHIP	0.01uF	10%	25V	C873	1-162-970-11	CERAMIC CHIP	0.01uF	10%	25V
C801	1-162-970-11	CERAMIC CHIP	0.01uF	10%	25V	C874	1-162-915-11	CERAMIC CHIP	10PF	0.5PF	50V
C802	1-162-970-11	CERAMIC CHIP	0.01uF	10%	25V	C875	1-162-915-11	CERAMIC CHIP	10PF	0.5PF	50V
C803	1-162-923-11	CERAMIC CHIP	47PF	5%	50V	C876	1-115-416-11	CERAMIC CHIP	1000PF	5%	25V
C804	1-107-548-11	ELECT CHIP	22uF	20%	16V	C877	1-162-970-11	CERAMIC CHIP	0.01uF	10%	25V
C805	1-162-970-11	CERAMIC CHIP	0.01uF	10%	25V	C878	1-162-970-11	CERAMIC CHIP	0.01uF	10%	25V
C806	1-107-548-11	ELECT CHIP	22uF	20%	16V	C880	1-162-970-11	CERAMIC CHIP	0.01uF	10%	25V
C807	1-162-970-11	CERAMIC CHIP	0.01uF	10%	25V	C1502	1-164-677-11	CERAMIC CHIP	0.033uF	10%	16V
C808	1-109-982-11	CERAMIC CHIP	1uF	10%	10V	C1503	1-125-891-11	CERAMIC CHIP	0.47uF	10%	10V
C809	1-162-970-11	CERAMIC CHIP	0.01uF	10%	25V	C1504	1-107-826-11	CERAMIC CHIP	0.1uF	10%	16V
C810	1-162-923-11	CERAMIC CHIP	47PF	5%	50V	C1505	1-110-563-11	CERAMIC CHIP	0.068uF	10%	16V
C811	1-107-548-11	ELECT CHIP	22uF	20%	16V	C1506	1-107-826-11	CERAMIC CHIP	0.1uF	10%	16V
C812	1-162-970-11	CERAMIC CHIP	0.01uF	10%	25V	C1507	1-115-156-11	CERAMIC CHIP	1uF		10V
C813	1-107-548-11	ELECT CHIP	22uF	20%	16V	C1521	1-164-230-11	CERAMIC CHIP	220PF	5%	50V
C814	1-162-970-11	CERAMIC CHIP	0.01uF	10%	25V	C1522	1-115-156-11	CERAMIC CHIP	1uF		10V
C815	1-109-982-11	CERAMIC CHIP	1uF	10%	10V	C1551	1-115-467-11	CERAMIC CHIP	0.22uF	10%	10V
C816	1-162-970-11	CERAMIC CHIP	0.01uF	10%	25V	C1552	1-115-467-11	CERAMIC CHIP	0.22uF	10%	10V
C817	1-162-970-11	CERAMIC CHIP	0.01uF	10%	25V	C1555	1-115-156-11	CERAMIC CHIP	1uF		10V
C819	1-162-970-11	CERAMIC CHIP	0.01uF	10%	25V	C1561	1-216-864-11	METAL CHIP	0	5%	1/16W
C820	1-162-970-11	CERAMIC CHIP	0.01uF	10%	25V	C1601	1-107-549-11	ELECT CHIP	33uF	20%	16V
C821	1-162-970-11	CERAMIC CHIP	0.01uF	10%	25V	C1602	1-162-970-11	CERAMIC CHIP	0.01uF	10%	25V
C822	1-162-970-11	CERAMIC CHIP	0.01uF	10%	25V	C1651	1-135-210-11	TANTALUM CHIP	4.7uF	10%	10V
C823	1-162-970-11	CERAMIC CHIP	0.01uF	10%	25V	C1652	1-135-210-11	TANTALUM CHIP	4.7uF	10%	10V
C824	1-126-190-11	ELECT CHIP	0.33uF	20%	50V	C1653	1-162-970-11	CERAMIC CHIP	0.01uF	10%	25V
C825	1-162-970-11	CERAMIC CHIP	0.01uF	10%	25V	C1655	1-135-210-11	TANTALUM CHIP	4.7uF	10%	10V
C826	1-107-826-11	CERAMIC CHIP	0.1uF	10%	16V	C1656	1-119-824-11	ELECT	10uF	20%	50V
C828	1-128-004-11	ELECT CHIP	10uF	20%	16V	< CONNECTOR >					
C829	1-162-970-11	CERAMIC CHIP	0.01uF	10%	25V	CN501	1-784-383-21	CONNECTOR (FFC/FPC) 26P			
C830	1-128-004-11	ELECT CHIP	10uF	20%	16V	CN502	1-784-383-21	CONNECTOR (FFC/FPC) 26P			
C831	1-162-970-11	CERAMIC CHIP	0.01uF	10%	25V	CN503	1-770-215-11	PIN, CONNECTOR (PC BOARD) 7P			
C832	1-162-915-11	CERAMIC CHIP	10PF	0.5PF	50V	CN504	1-790-676-11	PIN, CONNECTOR (PC BOARD) 10P			
C833	1-162-915-11	CERAMIC CHIP	10PF	0.5PF	50V	* CN701	1-770-153-11	PIN, CONNECTOR (PC BOARD) 8P			
C834	1-162-970-11	CERAMIC CHIP	0.01uF	10%	25V	CN702	1-790-675-11	PIN, CONNECTOR (PC BOARD) 7P			
C835	1-162-970-11	CERAMIC CHIP	0.01uF	10%	25V	CN703	1-778-315-11	PIN, CONNECTOR (PC BOARD) 5P			
C836	1-162-970-11	CERAMIC CHIP	0.01uF	10%	25V	CN704	1-790-676-11	PIN, CONNECTOR (PC BOARD) 10P			
C838	1-128-004-11	ELECT CHIP	10uF	20%	16V	CN705	1-790-669-41	PIN, CONNECTOR (PC BOARD) 9P			
C839	1-162-970-11	CERAMIC CHIP	0.01uF	10%	25V	CN706	1-790-669-21	PIN, CONNECTOR (PC BOARD) 9P			
C840	1-162-970-11	CERAMIC CHIP	0.01uF	10%	25V	CN707	1-790-675-11	PIN, CONNECTOR (PC BOARD) 7P			
C841	1-162-970-11	CERAMIC CHIP	0.01uF	10%	25V	(FOR RS-232C)					
C842	1-162-923-11	CERAMIC CHIP	47PF	5%	50V	CN708	1-778-998-21	PIN, CONNECTOR (PC BOARD) 3P			
C843	1-162-970-11	CERAMIC CHIP	0.01uF	10%	25V	< DIODE >					
C844	1-162-923-11	CERAMIC CHIP	47PF	5%	50V	D501	8-719-988-61	DIODE 1SS355TE-17			
C850	1-162-970-11	CERAMIC CHIP	0.01uF	10%	25V						

MAIN

Ref. No.	Part No.	Description	Remark	Ref. No.	Part No.	Description	Remark
D502	8-719-988-61	DIODE 1SS355TE-17		FL503	1-233-893-21	FILTER, CHIP EMI	
D503	8-719-060-48	DIODE RB751V-40TE-17		FL504	1-233-893-21	FILTER, CHIP EMI	
D504	8-719-977-04	DIODE DTZ-TT11-5.6C		FL505	1-233-893-21	FILTER, CHIP EMI	
D701	8-719-975-40	DIODE RB411D-T146					
D702	8-719-941-86	DIODE DAN202UT106		FL506	1-234-177-21	FILTER, CHIP EMI	
D1501	8-719-988-61	DIODE 1SS355TE-17		FL507	1-234-177-21	FILTER, CHIP EMI	
		< GROUND PLATE >		FL508	1-234-177-21	FILTER, CHIP EMI	
* EB701	4-942-204-01	PLATE, GROUND		FL509	1-234-177-21	FILTER, CHIP EMI	
		< FERRITE BEAD/COIL/RESISTOR >		FL510	1-234-177-21	FILTER, CHIP EMI	
FB501	1-500-283-11	INDUCTOR CHIP	0uH	FL511	1-234-177-21	FILTER, CHIP EMI	
FB701	1-469-116-21	FERRITE	0uH	FL701	1-233-893-21	FILTER, CHIP EMI	
FB702	1-469-116-21	FERRITE	0uH	FL702	1-234-177-21	FILTER, CHIP EMI	
FB703	1-469-116-21	FERRITE	0uH	FL703	1-234-177-21	FILTER, CHIP EMI	
FB704	1-469-116-21	FERRITE	0uH	FL704	1-234-177-21	FILTER, CHIP EMI	
FB705	1-469-116-21	FERRITE	0uH	FL705	1-234-177-21	FILTER, CHIP EMI	
FB706	1-469-116-21	FERRITE	0uH	FL706	1-234-177-21	FILTER, CHIP EMI	
FB707	1-469-116-21	FERRITE	0uH	FL707	1-234-177-21	FILTER, CHIP EMI	
FB708	1-469-116-21	FERRITE	0uH	FL708	1-234-177-21	FILTER, CHIP EMI	
FB750	1-500-283-11	INDUCTOR CHIP	0uH	FL709	1-239-400-11	FILTER, CHIP EMI	
FB751	1-500-283-11	INDUCTOR CHIP	0uH	FL710	1-239-400-11	FILTER, CHIP EMI	
FB752	1-500-283-11	INDUCTOR CHIP	0uH	FL711	1-234-177-21	FILTER, CHIP EMI	
FB753	1-500-283-11	INDUCTOR CHIP	0uH	FL712	1-234-177-21	FILTER, CHIP EMI	
FB754	1-500-283-11	INDUCTOR CHIP	0uH	FL713	1-234-177-21	FILTER, CHIP EMI	
FB755	1-500-283-11	INDUCTOR CHIP	0uH	FL714	1-234-177-21	FILTER, CHIP EMI	
FB756	1-500-283-11	INDUCTOR CHIP	0uH	FL715	1-234-177-21	FILTER, CHIP EMI	
FB757	1-500-283-11	INDUCTOR CHIP	0uH	FL716	1-234-177-21	FILTER, CHIP EMI	
FB758	1-500-283-11	INDUCTOR CHIP	0uH	FL717	1-239-400-11	FILTER, CHIP EMI	
FB759	1-216-864-11	METAL CHIP	0	FL718	1-239-400-11	FILTER, CHIP EMI	
FB760	1-500-283-11	INDUCTOR CHIP	0uH	FL719	1-234-177-21	FILTER, CHIP EMI	
FB761	1-500-283-11	INDUCTOR CHIP	0uH	FL720	1-239-400-11	FILTER, CHIP EMI	
FB762	1-500-283-11	INDUCTOR CHIP	0uH	FL721	1-234-177-21	FILTER, CHIP EMI	
FB763	1-500-283-11	INDUCTOR CHIP	0uH	FL722	1-234-177-21	FILTER, CHIP EMI	
FB764	1-500-283-11	INDUCTOR CHIP	0uH	FL724	1-234-177-21	FILTER, CHIP EMI	
FB765	1-500-283-11	INDUCTOR CHIP	0uH	FL725	1-234-177-21	FILTER, CHIP EMI	
FB766	1-216-864-11	METAL CHIP	0	FL727	1-234-177-21	FILTER, CHIP EMI	
FB767	1-500-283-11	INDUCTOR CHIP	0uH	FL728	1-239-400-11	FILTER, CHIP EMI	
FB768	1-500-283-11	INDUCTOR CHIP	0uH	FL729	1-234-177-21	FILTER, CHIP EMI	
* FB801	1-500-449-21	FERRITE	0uH	FL730	1-234-177-21	FILTER, CHIP EMI	
* FB802	1-500-449-21	FERRITE	0uH	FL731	1-234-177-21	FILTER, CHIP EMI	
* FB803	1-500-449-21	FERRITE	0uH	FL732	1-239-400-11	FILTER, CHIP EMI	
* FB804	1-500-449-21	FERRITE	0uH	FL733	1-234-177-21	FILTER, CHIP EMI	
* FB805	1-500-449-21	FERRITE	0uH	FL734	1-234-177-21	FILTER, CHIP EMI	
* FB806	1-500-449-21	FERRITE	0uH	FL735	1-234-177-21	FILTER, CHIP EMI	
* FB807	1-500-449-21	FERRITE	0uH	FL736	1-239-400-11	FILTER, CHIP EMI	
* FB808	1-500-449-21	FERRITE	0uH	FL737	1-239-400-11	FILTER, CHIP EMI	
* FB809	1-500-449-21	FERRITE	0uH	FL740	1-234-177-21	FILTER, CHIP EMI	
* FB810	1-500-449-21	FERRITE	0uH	FL741	1-239-400-11	FILTER, CHIP EMI	
* FB811	1-500-449-21	FERRITE	0uH	FL742	1-234-177-21	FILTER, CHIP EMI	
* FB812	1-500-449-21	FERRITE	0uH	FL743	1-234-177-21	FILTER, CHIP EMI	
* FB813	1-500-449-21	FERRITE	0uH	FL744	1-239-400-11	FILTER, CHIP EMI	
* FB814	1-500-449-21	FERRITE	0uH	FL747	1-234-177-21	FILTER, CHIP EMI	
		< FILTER >		FL748	1-234-177-21	FILTER, CHIP EMI	
FL501	1-234-177-21	FILTER, CHIP EMI		FL749	1-234-177-21	FILTER, CHIP EMI	
FL502	1-233-893-21	FILTER, CHIP EMI					
				< IC/PHOTO COUPLER >			
				IC501	8-759-333-63	IC LB1896-TE-B	
				IC502	8-759-058-43	IC NJM3404AV (TE2)	
				IC503	8-759-490-71	IC BA5912AFP-YE2	
				IC504	8-759-522-13	IC BA5981FP-E2	

Ref. No.	Part No.	Description	Remark	Ref. No.	Part No.	Description	Remark
IC505	8-759-490-71	IC BA5912AFP-YE2		IC764	8-749-924-62	PHOTO COUPLER PC410T	
IC506	8-759-338-95	IC NJM2903V (TE2)		IC765	8-749-924-62	PHOTO COUPLER PC410T	
IC507	8-759-082-61	IC TC4W53FU (TE12R)		IC766	8-749-924-62	PHOTO COUPLER PC410T	
IC508	8-759-637-85	IC OPA2340UA/2K5		IC767	8-749-013-16	IC PC357N2T	
IC509	8-759-058-45	IC NJM3403AV (TE2)		IC770	8-749-924-62	PHOTO COUPLER PC410T	
IC510	8-759-058-43	IC NJM3404AV (TE2)		IC771	8-749-924-62	PHOTO COUPLER PC410T	
IC511	8-759-338-95	IC NJM2903V (TE2)		IC772	8-749-924-62	PHOTO COUPLER PC410T	
IC512	8-759-525-61	IC CXD8730R		IC773	8-749-924-62	PHOTO COUPLER PC410T	
IC513	8-759-637-85	IC OPA2340UA/2K5		IC775	8-759-549-04	IC SN74LV138APWR	
IC514	8-759-585-52	IC SN74AHC1GU04DBVR		IC776	8-759-585-50	IC SN74AHC1G08DBVR	
IC515	8-759-245-52	IC TA7291F-EL		IC777	8-759-585-50	IC SN74AHC1G08DBVR	
IC516	8-759-585-51	IC SN74AHC1G32DBVR		IC778	8-759-585-50	IC SN74AHC1G08DBVR	
IC517	8-759-585-51	IC SN74AHC1G32DBVR		IC1501	8-759-441-31	IC MC14053BDTR2	
IC519	8-759-082-60	IC TC7S66FU-TE85L		IC1502	8-759-637-85	IC OPA2340UA/2K5	
IC520	8-759-082-60	IC TC7S66FU-TE85L		IC1503	8-759-637-85	IC OPA2340UA/2K5	
IC521	8-759-082-60	IC TC7S66FU-TE85L		IC1651	8-759-637-85	IC OPA2340UA/2K5	
IC522	8-759-585-52	IC SN74AHC1GU04DBVR		< TRANSISTOR >			
IC523	8-759-082-60	IC TC7S66FU-TE85L		Q501	8-729-015-74	TRANSISTOR	UN5111-TX
IC701	8-759-337-66	IC HD6413002F16		Q502	8-729-015-76	TRANSISTOR	UN5211-TX
IC702	8-759-572-43	IC CXD1865AR		Q506	8-729-015-76	TRANSISTOR	UN5211-TX
IC703	8-752-400-62	IC CXD2750AQ		Q507	8-729-015-76	TRANSISTOR	UN5211-TX
IC707	8-759-585-57	IC KM416V1200CT-L6		Q508	8-729-023-22	TRANSISTOR	2SD2114KT146
IC708	8-752-356-45	IC CXD2301Q		Q509	8-729-015-76	TRANSISTOR	UN5211-TX
IC709	8-759-498-69	IC MB81V17805A-60PFTN		Q511	8-729-015-76	TRANSISTOR	UN5211-TX
IC710	8-759-449-38	IC MSM10S0050-039GS-2K		Q705	8-729-402-93	TRANSISTOR	UN5214-TX
IC711	8-752-381-56	IC CXD1095AR		Q1651	8-729-220-93	FET	2SK209G-TE85L
IC712	8-752-381-56	IC CXD1095AR		Q1652	8-729-015-76	TRANSISTOR	UN5211-TX
IC713	8-759-295-09	IC TLC29321PW-E20		Q1653	8-729-220-93	FET	2SK209G-TE85L
IC714	8-759-295-09	IC TLC29321PW-E20		< RESISTOR >			
IC715	8-759-295-09	IC TLC29321PW-E20		R500	1-216-864-11	METAL CHIP	0 5% 1/16W
IC716	(NOT SUPPLIED)	IC MBM29F400TC-90PF		R502	1-216-841-11	METAL CHIP	47K 5% 1/16W
IC717	8-759-537-40	IC uPD431000AGZ-70LL-KJH		R503	1-216-841-11	METAL CHIP	47K 5% 1/16W
IC718	8-759-537-40	IC uPD431000AGZ-70LL-KJH		R504	1-216-864-11	METAL CHIP	0 5% 1/16W
IC719	8-759-585-51	IC SN74AHC1G32DBVR		R505	1-216-864-11	METAL CHIP	0 5% 1/16W
IC720	8-759-585-51	IC SN74AHC1G32DBVR		R506	1-216-864-11	METAL CHIP	0 5% 1/16W
IC721	8-759-585-56	IC AD8052AR-REEL7		R507	1-216-864-11	METAL CHIP	0 5% 1/16W
IC722	8-759-585-56	IC AD8052AR-REEL7		R508	1-218-273-11	RES, CHIP	510K 5% 1/16W
IC724	8-759-548-96	IC SN74LV02APWR		R509	1-216-864-11	METAL CHIP	0 5% 1/16W
IC725	8-759-585-54	IC SN74LVC240APWR		R510	1-216-821-11	METAL CHIP	1K 5% 1/16W
IC726	8-759-549-15	IC SN74LV245APWR		R511	1-216-864-11	METAL CHIP	0 5% 1/16W
IC727	8-759-585-55	IC SN74LVC540APWR		R512	1-216-821-11	METAL CHIP	1K 5% 1/16W
IC728	8-759-585-52	IC SN74AHC1GU04DBVR		R513	1-216-821-11	METAL CHIP	1K 5% 1/16W
IC729	8-759-585-53	IC SN74AHCT245PWR		R514	1-216-849-11	METAL CHIP	220K 5% 1/16W
IC730	8-759-585-53	IC SN74AHCT245PWR		R515	1-216-864-11	METAL CHIP	0 5% 1/16W
IC732	8-759-050-03	IC SN74HC151APWR		R516	1-216-849-11	METAL CHIP	220K 5% 1/16W
IC734	8-759-635-83	IC M51957BFP-600D		R518	1-216-845-11	METAL CHIP	100K 5% 1/16W
IC735	8-759-354-31	IC AT24C02N-10SC		R519	1-216-789-11	METAL CHIP	2.2 5% 1/16W
IC736	8-759-585-51	IC SN74AHC1G32DBVR		R520	1-216-789-11	METAL CHIP	2.2 5% 1/16W
IC737	8-759-585-51	IC SN74AHC1G32DBVR		R521	1-216-789-11	METAL CHIP	2.2 5% 1/16W
IC739	8-759-585-48	IC HD74LV4066ATEL		R522	1-216-789-11	METAL CHIP	2.2 5% 1/16W
IC740	8-759-486-55	IC NJM2370U33-TE2		R523	1-216-798-11	RES, CHIP	12 5% 1/16W
IC741	8-759-486-55	IC NJM2370U33-TE2		R524	1-216-798-11	RES, CHIP	12 5% 1/16W
IC750	8-759-585-51	IC SN74AHC1G32DBVR		R525	1-216-798-11	RES, CHIP	12 5% 1/16W
IC760	8-749-013-16	IC PC357N2T		R526	1-216-821-11	METAL CHIP	1K 5% 1/16W
IC761	8-749-013-16	IC PC357N2T		R527	1-216-833-11	RES, CHIP	10K 5% 1/16W
IC762	8-749-013-16	IC PC357N2T					
IC763	8-749-013-16	IC PC357N2T					

MAIN

Ref. No.	Part No.	Description			Remark	Ref. No.	Part No.	Description			Remark
R528	1-216-837-11	METAL CHIP	22K	5%	1/16W	R600	1-216-797-11	METAL CHIP	10	5%	1/16W
R529	1-216-823-11	METAL CHIP	1.5K	5%	1/16W	R601	1-216-797-11	METAL CHIP	10	5%	1/16W
R530	1-216-833-11	RES, CHIP	10K	5%	1/16W	R602	1-216-820-11	METAL CHIP	820	5%	1/16W
R531	1-216-845-11	METAL CHIP	100K	5%	1/16W	R604	1-216-864-11	METAL CHIP	0	5%	1/16W
R532	1-216-839-11	METAL CHIP	33K	5%	1/16W	R605	1-216-864-11	METAL CHIP	0	5%	1/16W
R533	1-216-833-11	RES, CHIP	10K	5%	1/16W	R606	1-216-864-11	METAL CHIP	0	5%	1/16W
R534	1-216-853-11	METAL CHIP	470K	5%	1/16W	R608	1-216-837-11	METAL CHIP	22K	5%	1/16W
R536	1-216-841-11	METAL CHIP	47K	5%	1/16W	R609	1-216-864-11	METAL CHIP	0	5%	1/16W
R537	1-216-845-11	METAL CHIP	100K	5%	1/16W	R610	1-216-833-11	RES, CHIP	10K	5%	1/16W
R541	1-216-833-11	RES, CHIP	10K	5%	1/16W	R611	1-216-864-11	METAL CHIP	0	5%	1/16W
R544	1-216-833-11	RES, CHIP	10K	5%	1/16W	R612	1-216-833-11	RES, CHIP	10K	5%	1/16W
R545	1-216-797-11	METAL CHIP	10	5%	1/16W	R614	1-216-845-11	METAL CHIP	100K	5%	1/16W
R546	1-216-797-11	METAL CHIP	10	5%	1/16W	R615	1-216-813-11	METAL CHIP	220	5%	1/16W
R547	1-216-864-11	METAL CHIP	0	5%	1/16W	R616	1-216-821-11	METAL CHIP	1K	5%	1/16W
R549	1-216-864-11	METAL CHIP	0	5%	1/16W	R617	1-216-857-11	METAL CHIP	1M	5%	1/16W
R550	1-216-833-11	RES, CHIP	10K	5%	1/16W	R618	1-216-839-11	METAL CHIP	33K	5%	1/16W
R551	1-216-833-11	RES, CHIP	10K	5%	1/16W	R619	1-216-819-11	METAL CHIP	680	5%	1/16W
R552	1-216-829-11	METAL CHIP	4.7K	5%	1/16W	R620	1-216-833-11	RES, CHIP	10K	5%	1/16W
R553	1-216-864-11	METAL CHIP	0	5%	1/16W	R621	1-216-833-11	RES, CHIP	10K	5%	1/16W
R554	1-216-833-11	RES, CHIP	10K	5%	1/16W	R622	1-216-839-11	METAL CHIP	33K	5%	1/16W
R555	1-216-839-11	METAL CHIP	33K	5%	1/16W	R623	1-216-857-11	METAL CHIP	1M	5%	1/16W
R559	1-216-797-11	METAL CHIP	10	5%	1/16W	R624	1-216-819-11	METAL CHIP	680	5%	1/16W
R560	1-216-837-11	METAL CHIP	22K	5%	1/16W	R625	1-216-821-11	METAL CHIP	1K	5%	1/16W
R561	1-216-797-11	METAL CHIP	10	5%	1/16W	R626	1-216-864-11	METAL CHIP	0	5%	1/16W
R562	1-216-797-11	METAL CHIP	10	5%	1/16W	R627	1-216-864-11	METAL CHIP	0	5%	1/16W
R563	1-216-797-11	METAL CHIP	10	5%	1/16W	R630	1-216-864-11	METAL CHIP	0	5%	1/16W
R564	1-218-446-11	METAL CHIP	1	5%	1/16W	R631	1-216-845-11	METAL CHIP	100K	5%	1/16W
R565	1-218-446-11	METAL CHIP	1	5%	1/16W	R632	1-216-845-11	METAL CHIP	100K	5%	1/16W
R566	1-216-134-00	METAL CHIP	2.2	5%	1/8W	R633	1-216-864-11	METAL CHIP	0	5%	1/16W
R567	1-216-134-00	METAL CHIP	2.2	5%	1/8W	R634	1-216-837-11	METAL CHIP	22K	5%	1/16W
R569	1-216-833-11	RES, CHIP	10K	5%	1/16W	R635	1-218-871-11	METAL CHIP	10K	0.5%	1/16W
R570	1-216-837-11	METAL CHIP	22K	5%	1/16W	R636	1-216-864-11	METAL CHIP	0	5%	1/16W
R571	1-216-833-11	RES, CHIP	10K	5%	1/16W	R637	1-216-837-11	METAL CHIP	22K	5%	1/16W
R572	1-216-836-11	METAL CHIP	18K	5%	1/16W	R638	1-216-805-11	METAL CHIP	47	5%	1/16W
R573	1-216-829-11	METAL CHIP	4.7K	5%	1/16W	R639	1-216-864-11	METAL CHIP	0	5%	1/16W
R575	1-216-833-11	RES, CHIP	10K	5%	1/16W	R641	1-218-874-11	METAL CHIP	13K	0.5%	1/16W
R576	1-216-825-11	METAL CHIP	2.2K	5%	1/16W	R642	1-218-871-11	METAL CHIP	10K	0.5%	1/16W
R578	1-216-797-11	METAL CHIP	10	5%	1/16W	R643	1-216-833-11	RES, CHIP	10K	5%	1/16W
R579	1-216-797-11	METAL CHIP	10	5%	1/16W	R644	1-216-827-11	METAL CHIP	3.3K	5%	1/16W
R580	1-216-837-11	METAL CHIP	22K	5%	1/16W	R645	1-218-871-11	METAL CHIP	10K	0.5%	1/16W
R581	1-216-797-11	METAL CHIP	10	5%	1/16W	R646	1-216-805-11	METAL CHIP	47	5%	1/16W
R582	1-216-797-11	METAL CHIP	10	5%	1/16W	R647	1-216-864-11	METAL CHIP	0	5%	1/16W
R583	1-218-446-11	METAL CHIP	1	5%	1/16W	R648	1-216-829-11	METAL CHIP	4.7K	5%	1/16W
R584	1-218-446-11	METAL CHIP	1	5%	1/16W	R649	1-216-825-11	METAL CHIP	2.2K	5%	1/16W
R585	1-216-134-00	METAL CHIP	2.2	5%	1/8W	R650	1-216-837-11	METAL CHIP	22K	5%	1/16W
R586	1-216-134-00	METAL CHIP	2.2	5%	1/8W	R651	1-216-831-11	METAL CHIP	6.8K	5%	1/16W
R587	1-216-835-11	METAL CHIP	15K	5%	1/16W	R652	1-216-839-11	METAL CHIP	33K	5%	1/16W
R588	1-216-844-11	METAL CHIP	82K	5%	1/16W	R653	1-216-837-11	METAL CHIP	22K	5%	1/16W
R589	1-216-837-11	METAL CHIP	22K	5%	1/16W	R654	1-216-833-11	RES, CHIP	10K	5%	1/16W
R590	1-216-833-11	RES, CHIP	10K	5%	1/16W	R655	1-216-857-11	METAL CHIP	1M	5%	1/16W
R591	1-216-836-11	METAL CHIP	18K	5%	1/16W	R656	1-216-827-11	METAL CHIP	3.3K	5%	1/16W
R592	1-216-833-11	RES, CHIP	10K	5%	1/16W	R657	1-216-864-11	METAL CHIP	0	5%	1/16W
R593	1-216-841-11	METAL CHIP	47K	5%	1/16W	R658	1-216-825-11	METAL CHIP	2.2K	5%	1/16W
R594	1-216-825-11	METAL CHIP	2.2K	5%	1/16W	R659	1-216-837-11	METAL CHIP	22K	5%	1/16W
R595	1-216-825-11	METAL CHIP	2.2K	5%	1/16W	R660	1-216-829-11	METAL CHIP	4.7K	5%	1/16W
R597	1-216-864-11	METAL CHIP	0	5%	1/16W	R661	1-216-846-11	METAL CHIP	120K	5%	1/16W
R598	1-216-864-11	METAL CHIP	0	5%	1/16W	R662	1-216-825-11	METAL CHIP	2.2K	5%	1/16W
R599	1-216-797-11	METAL CHIP	10	5%	1/16W						

Ref. No.	Part No.	Description			Remark	Ref. No.	Part No.	Description			Remark
R664	1-216-864-11	METAL CHIP	0	5%	1/16W	R729	1-216-833-11	RES, CHIP	10K	5%	1/16W
R667	1-216-845-11	METAL CHIP	100K	5%	1/16W	R730	1-216-833-11	RES, CHIP	10K	5%	1/16W
R669	1-216-864-11	METAL CHIP	0	5%	1/16W	R731	1-216-833-11	RES, CHIP	10K	5%	1/16W
R670	1-216-864-11	METAL CHIP	0	5%	1/16W	R732	1-216-833-11	RES, CHIP	10K	5%	1/16W
R671	1-216-864-11	METAL CHIP	0	5%	1/16W	R733	1-216-833-11	RES, CHIP	10K	5%	1/16W
R672	1-216-864-11	METAL CHIP	0	5%	1/16W	R734	1-216-833-11	RES, CHIP	10K	5%	1/16W
R673	1-216-864-11	METAL CHIP	0	5%	1/16W	R735	1-216-809-11	METAL CHIP	100	5%	1/16W
R675	1-216-864-11	METAL CHIP	0	5%	1/16W	R736	1-216-809-11	METAL CHIP	100	5%	1/16W
R677	1-216-809-11	METAL CHIP	100	5%	1/16W	R737	1-216-809-11	METAL CHIP	100	5%	1/16W
R678	1-216-809-11	METAL CHIP	100	5%	1/16W	R738	1-216-801-11	METAL CHIP	22	5%	1/16W
R679	1-216-809-11	METAL CHIP	100	5%	1/16W	R739	1-216-833-11	RES, CHIP	10K	5%	1/16W
R680	1-216-809-11	METAL CHIP	100	5%	1/16W	R740	1-216-833-11	RES, CHIP	10K	5%	1/16W
R681	1-216-809-11	METAL CHIP	100	5%	1/16W	R741	1-216-833-11	RES, CHIP	10K	5%	1/16W
R682	1-216-809-11	METAL CHIP	100	5%	1/16W	R742	1-216-833-11	RES, CHIP	10K	5%	1/16W
R683	1-216-809-11	METAL CHIP	100	5%	1/16W	R744	1-218-853-11	METAL CHIP	1.8K	0.5%	1/16W
R684	1-216-809-11	METAL CHIP	100	5%	1/16W	R745	1-216-822-11	METAL CHIP	1.2K	5%	1/16W
R685	1-216-833-11	RES, CHIP	10K	5%	1/16W	R746	1-216-845-11	METAL CHIP	100K	5%	1/16W
R686	1-216-827-11	METAL CHIP	3.3K	5%	1/16W	R747	1-218-855-11	METAL CHIP	2.2K	0.5%	1/16W
R687	1-216-833-11	RES, CHIP	10K	5%	1/16W	R748	1-218-855-11	METAL CHIP	2.2K	0.5%	1/16W
R688	1-216-864-11	METAL CHIP	0	5%	1/16W	R749	1-216-801-11	METAL CHIP	22	5%	1/16W
R689	1-216-809-11	METAL CHIP	100	5%	1/16W	R750	1-216-801-11	METAL CHIP	22	5%	1/16W
R690	1-216-797-11	METAL CHIP	10	5%	1/16W	R751	1-216-801-11	METAL CHIP	22	5%	1/16W
R691	1-216-797-11	METAL CHIP	10	5%	1/16W	R752	1-216-801-11	METAL CHIP	22	5%	1/16W
R692	1-216-809-11	METAL CHIP	100	5%	1/16W	R753	1-216-809-11	METAL CHIP	100	5%	1/16W
R693	1-216-864-11	METAL CHIP	0	5%	1/16W	R754	1-216-801-11	METAL CHIP	22	5%	1/16W
R694	1-216-829-11	METAL CHIP	4.7K	5%	1/16W	R755	1-216-801-11	METAL CHIP	22	5%	1/16W
R695	1-216-829-11	METAL CHIP	4.7K	5%	1/16W	R756	1-216-801-11	METAL CHIP	22	5%	1/16W
R696	1-218-847-11	METAL CHIP	1K	0.5%	1/16W	R757	1-216-801-11	METAL CHIP	22	5%	1/16W
R697	1-218-847-11	METAL CHIP	1K	0.5%	1/16W	R758	1-216-801-11	METAL CHIP	22	5%	1/16W
R698	1-218-847-11	METAL CHIP	1K	0.5%	1/16W	R759	1-216-801-11	METAL CHIP	22	5%	1/16W
R699	1-218-847-11	METAL CHIP	1K	0.5%	1/16W	R760	1-216-801-11	METAL CHIP	22	5%	1/16W
R700	1-216-809-11	METAL CHIP	100	5%	1/16W	R761	1-216-801-11	METAL CHIP	22	5%	1/16W
R701	1-216-829-11	METAL CHIP	4.7K	5%	1/16W	R762	1-216-807-11	METAL CHIP	68	5%	1/16W
R703	1-216-805-11	METAL CHIP	47	5%	1/16W	R763	1-216-801-11	METAL CHIP	22	5%	1/16W
R704	1-216-805-11	METAL CHIP	47	5%	1/16W	R764	1-216-805-11	METAL CHIP	47	5%	1/16W
R705	1-216-833-11	RES, CHIP	10K	5%	1/16W	R765	1-216-805-11	METAL CHIP	47	5%	1/16W
R706	1-216-833-11	RES, CHIP	10K	5%	1/16W	R766	1-216-864-11	METAL CHIP	0	5%	1/16W
R707	1-216-833-11	RES, CHIP	10K	5%	1/16W	R770	1-216-805-11	METAL CHIP	47	5%	1/16W
R708	1-218-831-11	METAL CHIP	220	0.5%	1/16W	R774	1-216-833-11	RES, CHIP	10K	5%	1/16W
R709	1-218-853-11	METAL CHIP	1.8K	0.5%	1/16W	R775	1-216-833-11	RES, CHIP	10K	5%	1/16W
R710	1-218-847-11	METAL CHIP	1K	0.5%	1/16W	R777	1-216-833-11	RES, CHIP	10K	5%	1/16W
R711	1-218-855-11	METAL CHIP	2.2K	0.5%	1/16W	R778	1-216-814-11	METAL CHIP	270	5%	1/16W
R712	1-218-881-11	METAL CHIP	27K	0.5%	1/16W	R779	1-216-814-11	METAL CHIP	270	5%	1/16W
R713	1-218-885-11	METAL CHIP	39K	0.5%	1/16W	R780	1-216-864-11	METAL CHIP	0	5%	1/16W
R715	1-216-809-11	METAL CHIP	100	5%	1/16W	R781	1-216-814-11	METAL CHIP	270	5%	1/16W
R716	1-218-881-11	METAL CHIP	27K	0.5%	1/16W	R782	1-216-814-11	METAL CHIP	270	5%	1/16W
R717	1-216-057-00	METAL CHIP	2.2K	5%	1/10W	R784	1-216-801-11	METAL CHIP	22	5%	1/16W
R718	1-216-041-00	METAL CHIP	470	5%	1/10W	R785	1-216-801-11	METAL CHIP	22	5%	1/16W
R719	1-218-871-11	METAL CHIP	10K	0.5%	1/16W	R786	1-216-801-11	METAL CHIP	22	5%	1/16W
R720	1-218-871-11	METAL CHIP	10K	0.5%	1/16W	R798	1-216-827-11	METAL CHIP	3.3K	5%	1/16W
R721	1-216-833-11	RES, CHIP	10K	5%	1/16W	R799	1-216-805-11	METAL CHIP	47	5%	1/16W
R722	1-216-837-11	METAL CHIP	22K	5%	1/16W	R801	1-216-829-11	METAL CHIP	4.7K	5%	1/16W
R723	1-216-801-11	METAL CHIP	22	5%	1/16W	R802	1-216-819-11	METAL CHIP	680	5%	1/16W
R724	1-216-833-11	RES, CHIP	10K	5%	1/16W	R803	1-216-821-11	METAL CHIP	1K	5%	1/16W
R725	1-216-833-11	RES, CHIP	10K	5%	1/16W	R804	1-216-829-11	METAL CHIP	4.7K	5%	1/16W
R726	1-216-833-11	RES, CHIP	10K	5%	1/16W	R805	1-216-839-11	METAL CHIP	33K	5%	1/16W
R727	1-216-833-11	RES, CHIP	10K	5%	1/16W	R806	1-216-821-11	METAL CHIP	1K	5%	1/16W
R728	1-216-833-11	RES, CHIP	10K	5%	1/16W						

MAIN

Ref. No.	Part No.	Description			Remark	Ref. No.	Part No.	Description			Remark
R808	1-216-809-11	METAL CHIP	100	5%	1/16W	R886	1-216-814-11	METAL CHIP	270	5%	1/16W
R809	1-216-807-11	METAL CHIP	68	5%	1/16W	R887	1-216-814-11	METAL CHIP	270	5%	1/16W
R810	1-216-813-11	METAL CHIP	220	5%	1/16W	R888	1-216-832-11	METAL CHIP	8.2K	5%	1/16W
R811	1-216-809-11	METAL CHIP	100	5%	1/16W	R889	1-216-815-11	METAL CHIP	330	5%	1/16W
R812	1-216-807-11	METAL CHIP	68	5%	1/16W	R890	1-216-805-11	METAL CHIP	47	5%	1/16W
R813	1-216-821-11	METAL CHIP	1K	5%	1/16W	R891	1-216-833-11	RES, CHIP	10K	5%	1/16W
R814	1-216-801-11	METAL CHIP	22	5%	1/16W	R892	1-216-829-11	METAL CHIP	4.7K	5%	1/16W
R815	1-216-801-11	METAL CHIP	22	5%	1/16W	R894	1-216-864-11	METAL CHIP	0	5%	1/16W
R816	1-216-809-11	METAL CHIP	100	5%	1/16W	R895	1-216-833-11	RES, CHIP	10K	5%	1/16W
R817	1-216-827-11	METAL CHIP	3.3K	5%	1/16W	R899	1-216-833-11	RES, CHIP	10K	5%	1/16W
R818	1-216-864-11	METAL CHIP	0	5%	1/16W	R902	1-216-833-11	RES, CHIP	10K	5%	1/16W
R819	1-216-805-11	METAL CHIP	47	5%	1/16W	R903	1-216-833-11	RES, CHIP	10K	5%	1/16W
R820	1-216-828-11	METAL CHIP	3.9K	5%	1/16W	R904	1-216-833-11	RES, CHIP	10K	5%	1/16W
R821	1-216-821-11	METAL CHIP	1K	5%	1/16W	R905	1-216-833-11	RES, CHIP	10K	5%	1/16W
R822	1-216-809-11	METAL CHIP	100	5%	1/16W	R906	1-216-833-11	RES, CHIP	10K	5%	1/16W
R823	1-216-864-11	METAL CHIP	0	5%	1/16W	R907	1-216-805-11	METAL CHIP	47	5%	1/16W
R824	1-216-827-11	METAL CHIP	3.3K	5%	1/16W	R910	1-216-815-11	METAL CHIP	330	5%	1/16W
R825	1-216-833-11	RES, CHIP	10K	5%	1/16W	R911	1-216-815-11	METAL CHIP	330	5%	1/16W
R826	1-216-805-11	METAL CHIP	47	5%	1/16W	R912	1-216-815-11	METAL CHIP	330	5%	1/16W
R827	1-216-831-11	METAL CHIP	6.8K	5%	1/16W	R913	1-216-815-11	METAL CHIP	330	5%	1/16W
R828	1-216-821-11	METAL CHIP	1K	5%	1/16W	R914	1-216-809-11	METAL CHIP	100	5%	1/16W
R829	1-216-813-11	METAL CHIP	220	5%	1/16W	R915	1-216-809-11	METAL CHIP	100	5%	1/16W
R830	1-216-809-11	METAL CHIP	100	5%	1/16W	R916	1-216-809-11	METAL CHIP	100	5%	1/16W
R833	1-216-809-11	METAL CHIP	100	5%	1/16W	R917	1-216-809-11	METAL CHIP	100	5%	1/16W
R834	1-216-809-11	METAL CHIP	100	5%	1/16W	R918	1-216-805-11	METAL CHIP	47	5%	1/16W
R835	1-218-344-11	RES, CHIP	7.5K	5%	1/16W	R919	1-216-805-11	METAL CHIP	47	5%	1/16W
R836	1-216-827-11	METAL CHIP	3.3K	5%	1/16W	R920	1-216-805-11	METAL CHIP	47	5%	1/16W
R837	1-216-821-11	METAL CHIP	1K	5%	1/16W	R921	1-216-805-11	METAL CHIP	47	5%	1/16W
R838	1-216-833-11	RES, CHIP	10K	5%	1/16W	R922	1-216-809-11	METAL CHIP	100	5%	1/16W
R839	1-216-809-11	METAL CHIP	100	5%	1/16W	R923	1-216-809-11	METAL CHIP	100	5%	1/16W
R840	1-216-809-11	METAL CHIP	100	5%	1/16W	R924	1-216-809-11	METAL CHIP	100	5%	1/16W
R844	1-216-833-11	RES, CHIP	10K	5%	1/16W	R925	1-216-805-11	METAL CHIP	47	5%	1/16W
R845	1-216-821-11	METAL CHIP	1K	5%	1/16W	R926	1-216-801-11	METAL CHIP	22	5%	1/16W
R847	1-216-833-11	RES, CHIP	10K	5%	1/16W	R927	1-216-801-11	METAL CHIP	22	5%	1/16W
R850	1-216-833-11	RES, CHIP	10K	5%	1/16W	R928	1-216-801-11	METAL CHIP	22	5%	1/16W
R851	1-216-857-11	METAL CHIP	1M	5%	1/16W	R929	1-216-833-11	RES, CHIP	10K	5%	1/16W
R852	1-216-833-11	RES, CHIP	10K	5%	1/16W	R930	1-216-864-11	METAL CHIP	0	5%	1/16W
R853	1-216-833-11	RES, CHIP	10K	5%	1/16W	R931	1-216-809-11	METAL CHIP	100	5%	1/16W
R854	1-216-833-11	RES, CHIP	10K	5%	1/16W	R932	1-216-801-11	METAL CHIP	22	5%	1/16W
R855	1-216-864-11	METAL CHIP	0	5%	1/16W	R933	1-216-801-11	METAL CHIP	22	5%	1/16W
R866	1-216-829-11	METAL CHIP	4.7K	5%	1/16W	R934	1-216-801-11	METAL CHIP	22	5%	1/16W
R867	1-216-809-11	METAL CHIP	100	5%	1/16W	R938	1-216-801-11	METAL CHIP	22	5%	1/16W
R868	1-216-813-11	METAL CHIP	220	5%	1/16W	R939	1-216-801-11	METAL CHIP	22	5%	1/16W
R870	1-216-809-11	METAL CHIP	100	5%	1/16W	R940	1-216-833-11	RES, CHIP	10K	5%	1/16W
R871	1-216-805-11	METAL CHIP	47	5%	1/16W	R941	1-216-833-11	RES, CHIP	10K	5%	1/16W
R873	1-216-805-11	METAL CHIP	47	5%	1/16W	R942	1-216-833-11	RES, CHIP	10K	5%	1/16W
R874	1-216-805-11	METAL CHIP	47	5%	1/16W	R943	1-216-833-11	RES, CHIP	10K	5%	1/16W
R875	1-216-805-11	METAL CHIP	47	5%	1/16W	R944	1-216-833-11	RES, CHIP	10K	5%	1/16W
R876	1-216-805-11	METAL CHIP	47	5%	1/16W	R945	1-216-815-11	METAL CHIP	330	5%	1/16W
R877	1-216-805-11	METAL CHIP	47	5%	1/16W	R946	1-216-815-11	METAL CHIP	330	5%	1/16W
R878	1-216-805-11	METAL CHIP	47	5%	1/16W	R947	1-216-815-11	METAL CHIP	330	5%	1/16W
R879	1-216-805-11	METAL CHIP	47	5%	1/16W	R948	1-216-829-11	METAL CHIP	4.7K	5%	1/16W
R880	1-216-805-11	METAL CHIP	47	5%	1/16W	R949	1-216-833-11	RES, CHIP	10K	5%	1/16W
R881	1-216-815-11	METAL CHIP	330	5%	1/16W	R951	1-216-809-11	METAL CHIP	100	5%	1/16W
R882	1-216-815-11	METAL CHIP	330	5%	1/16W	R952	1-216-809-11	METAL CHIP	100	5%	1/16W
R883	1-216-815-11	METAL CHIP	330	5%	1/16W	R953	1-216-864-11	METAL CHIP	0	5%	1/16W
R884	1-216-815-11	METAL CHIP	330	5%	1/16W	R954	1-216-839-11	METAL CHIP	33K	5%	1/16W
R885	1-216-814-11	METAL CHIP	270	5%	1/16W						

Ref. No.	Part No.	Description	Quantity	Unit	Remark
R955	1-216-842-11	METAL CHIP	56K	5%	1/16W
R959	1-216-805-11	METAL CHIP	47	5%	1/16W
R966	1-216-833-11	RES, CHIP	10K	5%	1/16W
R968	1-216-837-11	METAL CHIP	22K	5%	1/16W
R969	1-216-864-11	METAL CHIP	0	5%	1/16W
R970	1-216-797-11	METAL CHIP	10	5%	1/16W
R971	1-216-833-11	RES, CHIP	10K	5%	1/16W
R972	1-216-851-11	METAL CHIP	330K	5%	1/16W
R973	1-216-864-11	METAL CHIP	0	5%	1/16W
R988	1-216-864-11	METAL CHIP	0	5%	1/16W
R989	1-216-864-11	METAL CHIP	0	5%	1/16W
R1501	1-216-821-11	METAL CHIP	1K	5%	1/16W
R1502	1-216-817-11	METAL CHIP	470	5%	1/16W
R1503	1-216-845-11	METAL CHIP	100K	5%	1/16W
R1504	1-216-834-11	METAL CHIP	12K	5%	1/16W
R1505	1-216-851-11	METAL CHIP	330K	5%	1/16W
R1506	1-216-845-11	METAL CHIP	100K	5%	1/16W
R1507	1-216-837-11	METAL CHIP	22K	5%	1/16W
R1508	1-216-849-11	METAL CHIP	220K	5%	1/16W
R1509	1-216-833-11	RES, CHIP	10K	5%	1/16W
R1510	1-216-833-11	RES, CHIP	10K	5%	1/16W
R1511	1-216-829-11	METAL CHIP	4.7K	5%	1/16W
R1512	1-216-833-11	RES, CHIP	10K	5%	1/16W
R1513	1-216-839-11	METAL CHIP	33K	5%	1/16W
R1522	1-216-833-11	RES, CHIP	10K	5%	1/16W
R1523	1-216-833-11	RES, CHIP	10K	5%	1/16W
R1525	1-216-829-11	METAL CHIP	4.7K	5%	1/16W
R1526	1-216-833-11	RES, CHIP	10K	5%	1/16W
R1532	1-216-864-11	METAL CHIP	0	5%	1/16W
R1551	1-218-881-11	METAL CHIP	27K	0.5%	1/16W
R1552	1-216-841-11	METAL CHIP	47K	5%	1/16W
R1601	1-216-864-11	METAL CHIP	0	5%	1/16W
R1603	1-216-833-11	RES, CHIP	10K	5%	1/16W
R1606	1-216-833-11	RES, CHIP	10K	5%	1/16W
R1608	1-216-864-11	METAL CHIP	0	5%	1/16W
R1609	1-216-864-11	METAL CHIP	0	5%	1/16W
R1610	1-216-864-11	METAL CHIP	0	5%	1/16W
R1611	1-216-833-11	RES, CHIP	10K	5%	1/16W
R1651	1-216-841-11	METAL CHIP	47K	5%	1/16W
R1652	1-216-847-11	RES, CHIP	150K	5%	1/16W
R1653	1-216-825-11	METAL CHIP	2.2K	5%	1/16W
R1654	1-216-847-11	RES, CHIP	150K	5%	1/16W
R1655	1-216-841-11	METAL CHIP	47K	5%	1/16W
R1656	1-216-841-11	METAL CHIP	47K	5%	1/16W
R1657	1-216-841-11	METAL CHIP	47K	5%	1/16W
R1658	1-216-833-11	RES, CHIP	10K	5%	1/16W
R1659	1-216-833-11	RES, CHIP	10K	5%	1/16W
R1660	1-216-829-11	METAL CHIP	4.7K	5%	1/16W
R1662	1-216-841-11	METAL CHIP	47K	5%	1/16W
R1663	1-216-843-11	RES, CHIP	68K	5%	1/16W
		< CHECKER >			
TP501	1-535-757-11	CHIP, CHECKER			
TP502	1-535-757-11	CHIP, CHECKER			
TP503	1-535-757-11	CHIP, CHECKER			
TP505	1-535-757-11	CHIP, CHECKER			
TP506	1-535-757-11	CHIP, CHECKER			

Ref. No.	Part No.	Description	Quantity	Unit	Remark
TP507	1-535-757-11	CHIP, CHECKER			
TP508	1-535-757-11	CHIP, CHECKER			
TP511	1-535-757-11	CHIP, CHECKER			
TP513	1-535-757-11	CHIP, CHECKER			
TP515	1-535-757-11	CHIP, CHECKER			
TP516	1-535-757-11	CHIP, CHECKER			
TP517	1-535-757-11	CHIP, CHECKER			
TP518	1-535-757-11	CHIP, CHECKER			
TP519	1-535-757-11	CHIP, CHECKER			
TP520	1-535-757-11	CHIP, CHECKER			
TP521	1-535-757-11	CHIP, CHECKER			
TP522	1-535-757-11	CHIP, CHECKER			
TP523	1-535-757-11	CHIP, CHECKER			
TP524	1-535-757-11	CHIP, CHECKER			
TP525	1-535-757-11	CHIP, CHECKER			
TP526	1-535-757-11	CHIP, CHECKER			
TP527	1-535-757-11	CHIP, CHECKER			
TP528	1-535-757-11	CHIP, CHECKER			
TP529	1-535-757-11	CHIP, CHECKER			
TP530	1-535-757-11	CHIP, CHECKER			
TP531	1-535-757-11	CHIP, CHECKER			
TP701	1-535-757-11	CHIP, CHECKER			
TP702	1-535-757-11	CHIP, CHECKER			
TP703	1-535-757-11	CHIP, CHECKER			
TP704	1-535-757-11	CHIP, CHECKER			
TP705	1-535-757-11	CHIP, CHECKER			
TP706	1-535-757-11	CHIP, CHECKER			
TP708	1-535-757-11	CHIP, CHECKER			
TP710	1-535-757-11	CHIP, CHECKER			
TP711	1-535-757-11	CHIP, CHECKER			
TP712	1-535-757-11	CHIP, CHECKER			
TP716	1-535-757-11	CHIP, CHECKER			
		< VIBRATOR >			
X701	1-767-347-11	VIBRATOR, CRYSTAL (16MHz)			

	1-673-858-14	OPT BOARD			

		< CAPACITOR >			
C997	1-136-850-11	FILM	0.1uF	5%	63V
C998	1-128-197-11	ELECT	10uF	20%	50V
		< IC >			
IC991	8-749-921-12	IC GP1F32T (DIGITAL OUT (CD) OPTICAL)			

	1-673-855-14	PIN BOARD			

		< DIODE >			
D150	8-719-911-19	DIODE 1SS133T-72			
		< RELAY >			
RY150	1-755-294-11	RELAY			

POWER

RF

Ref. No.	Part No.	Description	Remark
	A-4724-529-A	POWER BOARD, COMPLETE *****	
	1-533-233-11	HOLDER, FUSE	
	2-259-121-01	SCREW, TR	
*	4-921-402-01	HEAT SINK	
*	4-941-237-01	HEAT SINK	
		< CAPACITOR >	
C413	1-128-651-11	ELECT 4700uF 20%	63V
C414	1-128-651-11	ELECT 4700uF 20%	63V
C415	1-136-850-11	FILM 0.1uF 5%	63V
C416	1-136-850-11	FILM 0.1uF 5%	63V
C417	1-136-850-11	FILM 0.1uF 5%	63V
C418	1-128-090-11	ELECT 470uF 20%	50V
C419	1-128-090-11	ELECT 470uF 20%	50V
C420	1-128-090-11	ELECT 470uF 20%	50V
C421	1-119-796-21	ELECT 4700uF 20%	16V
C422	1-128-091-11	ELECT 1000uF 20%	50V
C423	1-128-091-11	ELECT 1000uF 20%	50V
C424	1-119-824-31	ELECT 10uF 20%	50V
C425	1-136-850-11	FILM 0.1uF 5%	63V
C451	1-161-494-00	CERAMIC 0.022uF	25V
C452	1-161-494-00	CERAMIC 0.022uF	25V
C453	1-119-824-31	ELECT 10uF 20%	50V
C454	1-128-563-11	ELECT 100uF 20%	100V
C455	1-128-652-21	MYLAR 1uF	63V
C456	1-128-652-21	MYLAR 1uF	63V
C457	1-128-650-51	ELECT 2200uF 20%	25V
C458	1-128-648-21	ELECT 10000uF 20%	25V
C459	1-128-650-51	ELECT 2200uF 20%	25V
C460	1-128-649-21	ELECT 15000uF 20%	16V
C461	1-128-650-51	ELECT 2200uF 20%	25V
C462	1-128-648-21	ELECT 10000uF 20%	25V
C463	1-128-652-21	MYLAR 1uF	63V
C464	1-128-652-21	MYLAR 1uF	63V
C465	1-119-824-31	ELECT 10uF 20%	50V
C466	1-128-652-21	MYLAR 1uF	63V
		< CONNECTOR >	
* CN401	1-564-242-00	PIN, CONNECTOR 5P	
* CN402	1-564-104-00	PIN, CONNECTOR (B3P-VH) 3P	
* CN403	1-564-506-11	PLUG, CONNECTOR 3P	
* CN404	1-564-506-11	PLUG, CONNECTOR 3P	
* CN405	1-564-506-11	PLUG, CONNECTOR 3P	
* CN406	1-564-506-11	PLUG, CONNECTOR 3P	
* CN451	1-564-507-11	PLUG, CONNECTOR 4P	
* CN452	1-564-708-11	PIN, CONNECTOR (SMALL TYPE) 6P	
* CN453	1-568-938-11	PIN, CONNECTOR 11P	
* CN454	1-564-509-11	PLUG, CONNECTOR 6P	
		< DIODE >	
D403	8-719-210-30	DIODE F10P20F (R)	
D404	8-719-210-38	DIODE F10P20FR	
D405	8-719-109-85	DIODE MTZJ-T-72-5.1B	
D406	8-719-312-47	DIODE RBA-406B	
D407	8-719-312-47	DIODE RBA-406B	
D408	8-719-200-82	DIODE 11ES2-TA2B	
D409	8-719-200-82	DIODE 11ES2-TA2B	

Ref. No.	Part No.	Description	Remark
D410	8-719-210-30	DIODE F10P20F (R)	
D411	8-719-210-38	DIODE F10P20FR	
D451	8-719-175-88	DIODE RD7.5F-T7B3	
D452	8-719-983-94	DIODE MTZJ-T-72-36D	
D453	8-719-200-82	DIODE 11ES2-TA2B	
D454	8-719-312-47	DIODE RBA-406B	
D455	8-719-312-47	DIODE RBA-406B	
D456	8-719-312-47	DIODE RBA-406B	
D457	8-719-200-82	DIODE 11ES2-TA2B	
D458	8-719-200-82	DIODE 11ES2-TA2B	
D459	8-719-109-85	DIODE MTZJ-T-72-5.1B	
		< FUSE >	
△ F451	1-532-259-11	FUSE, TIME-LAG (T1.6AL/250V) (AEP)	
△ F451	1-532-742-11	FUSE, GLASS TUBE (1.6A/125V)	(US,Canadian)
△ F452	1-532-259-11	FUSE, TIME-LAG (T1.6AL/250V) (AEP)	
△ F452	1-532-742-11	FUSE, GLASS TUBE (1.6A/125V)	(US,Canadian)
△ F453	1-532-259-11	FUSE, TIME-LAG (T1.6AL/250V) (AEP)	
△ F453	1-532-742-11	FUSE, GLASS TUBE (1.6A/125V)	(US,Canadian)
		< IC >	
IC401	8-759-450-47	IC BA05T	
IC402	8-759-701-59	IC M5F7809L	
IC403	8-759-604-49	IC M5F7909L	
IC451	8-759-394-35	IC BA12T	
IC452	8-759-593-62	IC uPC24A05HF	
IC453	8-759-445-59	IC BA033T	
		< COIL >	
L451	1-414-510-21	INDUCTOR 3.3uH	
L452	1-414-510-21	INDUCTOR 3.3uH	
L453	1-412-473-21	INDUCTOR 0uH	
L454	1-412-473-21	INDUCTOR 0uH	
		< TRANSISTOR >	
Q451	8-729-041-38	TRANSISTOR 2SB1241TV2Q	
		< RESISTOR >	
△ R429	1-212-893-00	FUSIBLE 330 5%	1/4W F
R451	1-259-404-11	CARBON 100 5%	1/6W
R452	1-259-404-11	CARBON 100 5%	1/6W
R453	1-259-458-11	CARBON 18K 5%	1/6W
R454	1-259-440-11	CARBON 3.3K 5%	1/6W
R455	1-259-440-11	CARBON 3.3K 5%	1/6W
△ R456	1-212-873-11	FUSIBLE 47 5%	1/4W F
R457	1-259-488-11	CARBON 330K 5%	1/6W
△ R458	1-212-893-00	FUSIBLE 330 5%	1/4W F

	A-4724-513-A	RF BOARD, COMPLETE *****	
		< CAPACITOR >	
C001	1-164-161-11	CERAMIC CHIP 0.0022uF 10%	100V
C002	1-164-161-11	CERAMIC CHIP 0.0022uF 10%	100V
C003	1-164-161-11	CERAMIC CHIP 0.0022uF 10%	100V

The components identified by mark △ or dotted line with mark △ are critical for safety. Replace only with part number specified.

Les composants identifiés par une marque △ sont critiques pour la sécurité. Ne les remplacer que par une pièce portant le numéro spécifié.

Ref. No.	Part No.	Description	Remark	Ref. No.	Part No.	Description	Remark
C004	1-164-161-11	CERAMIC CHIP	0.0022uF 10% 100V	C069	1-109-982-11	CERAMIC CHIP	1uF 10% 10V
C005	1-163-101-00	CERAMIC CHIP	22PF 5% 50V	C070	1-104-760-11	CERAMIC CHIP	0.047uF 10% 50V
C006	1-163-101-00	CERAMIC CHIP	22PF 5% 50V	C072	1-164-004-11	CERAMIC CHIP	0.1uF 10% 25V
C007	1-163-101-00	CERAMIC CHIP	22PF 5% 50V	C073	1-124-778-00	ELECT CHIP	22uF 20% 6.3V
C008	1-163-101-00	CERAMIC CHIP	22PF 5% 50V	C075	1-164-004-11	CERAMIC CHIP	0.1uF 10% 25V
C009	1-163-018-00	CERAMIC CHIP	0.0056uF 5% 50V	C076	1-115-340-11	CERAMIC CHIP	0.22uF 10% 25V
C010	1-163-018-00	CERAMIC CHIP	0.0056uF 5% 50V	C077	1-164-004-11	CERAMIC CHIP	0.1uF 10% 25V
C011	1-163-006-11	CERAMIC CHIP	560PF 10% 50V	C081	1-164-004-11	CERAMIC CHIP	0.1uF 10% 25V
C012	1-163-021-11	CERAMIC CHIP	0.01uF 10% 50V	C082	1-164-004-11	CERAMIC CHIP	0.1uF 10% 25V
C013	1-164-004-11	CERAMIC CHIP	0.1uF 10% 25V	C084	1-164-004-11	CERAMIC CHIP	0.1uF 10% 25V
C014	1-164-004-11	CERAMIC CHIP	0.1uF 10% 25V	C085	1-164-004-11	CERAMIC CHIP	0.1uF 10% 25V
C015	1-124-778-00	ELECT CHIP	22uF 20% 6.3V	C086	1-164-004-11	CERAMIC CHIP	0.1uF 10% 25V
C016	1-164-004-11	CERAMIC CHIP	0.1uF 10% 25V	C089	1-164-004-11	CERAMIC CHIP	0.1uF 10% 25V
C017	1-163-021-11	CERAMIC CHIP	0.01uF 10% 50V	C099	1-124-778-00	ELECT CHIP	22uF 20% 6.3V
C018	1-164-004-11	CERAMIC CHIP	0.1uF 10% 25V	< CONNECTOR >			
C019	1-164-004-11	CERAMIC CHIP	0.1uF 10% 25V	CN001	1-784-383-21	CONNECTOR (FFC/FPC) 26P	
C020	1-164-004-11	CERAMIC CHIP	0.1uF 10% 25V	CN002	1-784-383-21	CONNECTOR (FFC/FPC) 26P	
C021	1-124-778-00	ELECT CHIP	22uF 20% 6.3V	CN003	1-779-342-21	CONNECTOR, FFC/FPC 42P	
C022	1-115-185-11	CERAMIC CHIP	0.033uF 10% 50V	* CN004	1-580-056-21	PIN, CONNECTOR (SMD) 3P	
C023	1-115-185-11	CERAMIC CHIP	0.033uF 10% 50V	* CN005	1-580-055-21	PIN, CONNECTOR (SMD) 2P	
C024	1-163-005-11	CERAMIC CHIP	470PF 10% 50V	* CN006	1-569-775-21	PIN, CONNECTOR (SMD) 5P	
C025	1-163-121-00	CERAMIC CHIP	150PF 5% 50V	CN007	1-568-237-11	CONNECTOR, FPC (1.0MM) (ZIF)14P	
C026	1-104-760-11	CERAMIC CHIP	0.047uF 10% 50V	* CN019	1-569-775-21	PIN, CONNECTOR (SMD) 5P	
C027	1-164-004-11	CERAMIC CHIP	0.1uF 10% 25V	< IC >			
C028	1-107-823-11	CERAMIC CHIP	0.47uF 10% 16V	IC001	8-749-016-23	IC SSI33P3721-R4	
C029	1-163-021-11	CERAMIC CHIP	0.01uF 10% 50V	IC002	8-759-701-39	IC NJM3404AM-TE2	
C030	1-115-340-11	CERAMIC CHIP	0.22uF 10% 25V	IC003	8-759-701-39	IC NJM3404AM-TE2	
C031	1-164-004-11	CERAMIC CHIP	0.1uF 10% 25V	IC004	8-759-701-36	IC NJM3403AM (TE2)	
C032	1-124-778-00	ELECT CHIP	22uF 20% 6.3V	IC005	8-759-929-26	IC TL431CPS-E05	
C033	1-164-004-11	CERAMIC CHIP	0.1uF 10% 25V	IC006	8-759-701-36	IC NJM3403AM (TE2)	
C036	1-109-982-11	CERAMIC CHIP	1uF 10% 10V	IC007	8-759-009-07	IC MC14053BFEL	
C038	1-164-004-11	CERAMIC CHIP	0.1uF 10% 25V	IC010	8-759-058-58	IC TC7S04FU (TE85R)	
C039	1-115-340-11	CERAMIC CHIP	0.22uF 10% 25V	IC011	8-759-009-07	IC MC14053BFEL	
C040	1-164-004-11	CERAMIC CHIP	0.1uF 10% 25V	IC012	8-759-082-60	IC TC7S66FU-TE85L	
C043	1-164-004-11	CERAMIC CHIP	0.1uF 10% 25V	< COIL >			
C044	1-164-004-11	CERAMIC CHIP	0.1uF 10% 25V	L001	1-412-031-11	INDUCTOR CHIP	47uH
C045	1-124-779-00	ELECT CHIP	10uF 20% 16V	L002	1-412-031-11	INDUCTOR CHIP	47uH
C046	1-124-779-00	ELECT CHIP	10uF 20% 16V	L003	1-412-031-11	INDUCTOR CHIP	47uH
C047	1-124-779-00	ELECT CHIP	10uF 20% 16V	< TRANSISTOR >			
C048	1-124-779-00	ELECT CHIP	10uF 20% 16V	Q001	8-729-402-45	TRANSISTOR	UN5212-TX
C049	1-163-009-11	CERAMIC CHIP	0.001uF 10% 50V	Q002	8-729-805-25	TRANSISTOR	2SB1121-ST-TD
C050	1-124-779-00	ELECT CHIP	10uF 20% 16V	Q003	8-729-805-25	TRANSISTOR	2SB1121-ST-TD
C051	1-163-021-11	CERAMIC CHIP	0.01uF 10% 50V	Q004	8-729-805-25	TRANSISTOR	2SB1121-ST-TD
C052	1-124-779-00	ELECT CHIP	10uF 20% 16V	Q006	8-729-230-63	TRANSISTOR	2SD1819A-QRS-TX
C053	1-124-779-00	ELECT CHIP	10uF 20% 16V	Q007	8-729-420-24	TRANSISTOR	2SB1218A-QRS-TX
C054	1-163-009-11	CERAMIC CHIP	0.001uF 10% 50V	Q008	8-729-805-25	TRANSISTOR	2SB1121-ST-TD
C055	1-124-779-00	ELECT CHIP	10uF 20% 16V	Q009	8-729-805-25	TRANSISTOR	2SB1121-ST-TD
C056	1-104-852-11	TANTALUM CHIP	22uF 10% 10V	< RESISTOR >			
C057	1-124-778-00	ELECT CHIP	22uF 20% 6.3V	R1	1-247-887-00	CARBON	220K 5% 1/4W
C058	1-164-004-11	CERAMIC CHIP	0.1uF 10% 25V	R2	1-247-885-00	CARBON	180K 5% 1/4W
C059	1-124-778-00	ELECT CHIP	22uF 20% 6.3V	R002	1-216-035-00	METAL CHIP	270 5% 1/10W
C060	1-124-778-00	ELECT CHIP	22uF 20% 6.3V	R003	1-216-081-00	METAL CHIP	22K 5% 1/10W
C062	1-164-004-11	CERAMIC CHIP	0.1uF 10% 25V	R004	1-216-081-00	METAL CHIP	22K 5% 1/10W
C065	1-164-004-11	CERAMIC CHIP	0.1uF 10% 25V	R005	1-216-047-00	RES, CHIP	820 5% 1/10W
C066	1-124-778-00	ELECT CHIP	22uF 20% 6.3V				
C067	1-164-004-11	CERAMIC CHIP	0.1uF 10% 25V				
C068	1-164-004-11	CERAMIC CHIP	0.1uF 10% 25V				

RF	SLD-FG	SLD-MOT	STB
-----------	---------------	----------------	------------

Ref. No.	Part No.	Description		Remark
R006	1-216-295-00	SHORT	0	
R007	1-216-295-00	SHORT	0	
R008	1-216-689-11	METAL CHIP	39K	5% 1/10W
R009	1-216-689-11	METAL CHIP	39K	5% 1/10W
R010	1-216-295-00	SHORT	0	
R011	1-216-075-00	METAL CHIP	12K	5% 1/10W
R014	1-216-295-00	SHORT	0	
R015	1-216-295-00	SHORT	0	
R016	1-216-295-00	SHORT	0	
R017	1-216-295-00	SHORT	0	
R018	1-216-295-00	SHORT	0	
R019	1-216-073-00	METAL CHIP	10K	5% 1/10W
R020	1-216-073-00	METAL CHIP	10K	5% 1/10W
R022	1-216-295-00	SHORT	0	
R023	1-216-295-00	SHORT	0	
R024	1-216-073-00	METAL CHIP	10K	5% 1/10W
R025	1-216-081-00	METAL CHIP	22K	5% 1/10W
R026	1-216-295-00	SHORT	0	
R028	1-216-065-00	RES, CHIP	4.7K	5% 1/10W
R030	1-216-081-00	METAL CHIP	22K	5% 1/10W
R031	1-216-295-00	SHORT	0	
R034	1-216-073-00	METAL CHIP	10K	5% 1/10W
R035	1-216-073-00	METAL CHIP	10K	5% 1/10W
R036	1-216-049-11	RES, CHIP	1K	5% 1/10W
R037	1-216-073-00	METAL CHIP	10K	5% 1/10W
R039	1-216-073-00	METAL CHIP	10K	5% 1/10W
R040	1-216-073-00	METAL CHIP	10K	5% 1/10W
R042	1-216-295-00	SHORT	0	
R043	1-216-089-00	RES, CHIP	47K	5% 1/10W
R045	1-216-295-00	SHORT	0	
R046	1-216-001-00	METAL CHIP	10	5% 1/10W
R047	1-216-049-11	RES, CHIP	1K	5% 1/10W
R048	1-216-041-00	METAL CHIP	470	5% 1/10W
R049	1-216-005-00	METAL CHIP	15	5% 1/10W
R050	1-216-001-00	METAL CHIP	10	5% 1/10W
R051	1-216-033-00	METAL CHIP	220	5% 1/10W
R053	1-216-295-00	SHORT	0	
R055	1-216-295-00	SHORT	0	
R057	1-216-295-00	SHORT	0	
R058	1-216-037-00	METAL CHIP	330	5% 1/10W
R059	1-216-005-00	METAL CHIP	15	5% 1/10W
R060	1-216-089-00	RES, CHIP	47K	5% 1/10W
R061	1-216-053-00	METAL CHIP	1.5K	5% 1/10W
R062	1-216-067-00	METAL CHIP	5.6K	5% 1/10W
R065	1-216-295-00	SHORT	0	
R066	1-216-295-00	SHORT	0	
R067	1-216-097-00	RES, CHIP	100K	5% 1/10W
R068	1-216-097-00	RES, CHIP	100K	5% 1/10W
R069	1-216-085-00	METAL CHIP	33K	5% 1/10W
R070	1-216-121-00	RES, CHIP	1M	5% 1/10W
R071	1-216-097-00	RES, CHIP	100K	5% 1/10W
R072	1-216-097-00	RES, CHIP	100K	5% 1/10W
R073	1-216-109-00	METAL CHIP	330K	5% 1/10W
R074	1-216-085-00	METAL CHIP	33K	5% 1/10W
R075	1-216-085-00	METAL CHIP	33K	5% 1/10W
R076	1-216-089-00	RES, CHIP	47K	5% 1/10W
R077	1-216-295-00	SHORT	0	

Ref. No.	Part No.	Description		Remark
R078	1-216-073-00	METAL CHIP	10K	5% 1/10W
R079	1-216-085-00	METAL CHIP	33K	5% 1/10W
R081	1-216-073-00	METAL CHIP	10K	5% 1/10W
R082	1-216-077-91	RES, CHIP	15K	5% 1/10W
R084	1-216-073-00	METAL CHIP	10K	5% 1/10W
R086	1-216-083-00	METAL CHIP	27K	5% 1/10W
R087	1-216-049-11	RES, CHIP	1K	5% 1/10W
R088	1-216-033-00	METAL CHIP	220	5% 1/10W
R089	1-216-089-00	RES, CHIP	47K	5% 1/10W
R090	1-216-033-00	METAL CHIP	220	5% 1/10W
R091	1-216-025-00	RES, CHIP	100	5% 1/10W
R092	1-216-024-00	RES, CHIP	91	5% 1/10W
R093	1-216-073-00	METAL CHIP	10K	5% 1/10W
R094	1-216-089-00	RES, CHIP	47K	5% 1/10W
R095	1-216-073-00	METAL CHIP	10K	5% 1/10W
R096	1-216-073-00	METAL CHIP	10K	5% 1/10W
		< CHECKER >		
TP001	1-535-757-11	CHIP, CHECKER		
TP002	1-535-757-11	CHIP, CHECKER		

	1-673-852-12	SLD-FG BOARD		

		< CAPACITOR >		
C088	1-164-004-11	CERAMIC CHIP	0.1uF	10% 25V
		< CONNECTOR >		
* CN010	1-580-056-21	PIN, CONNECTOR (SMD) 3P		
		< IC >		
IC008	8-749-015-77	IC RPI-441C1		
		< RESISTOR >		
R097	1-216-037-00	METAL CHIP	330	5% 1/10W

	1-673-851-12	SLD-MOT BOARD		

		< CONNECTOR >		
* CN011	1-569-775-21	PIN, CONNECTOR (SMD) 5P		
		< SWITCH >		
S001	1-571-754-11	SWITCH, PUSH (1 KEY) (OUT)		
S002	1-571-754-11	SWITCH, PUSH (1 KEY) (IN)		

	1-673-866-12	STB BOARD		

	4-215-802-01	HOLDER (SENSER 3)		
		< CAPACITOR >		
C092	1-109-982-11	CERAMIC CHIP	1uF	10% 10V

Ref. No.	Part No.	Description	Remark	Ref. No.	Part No.	Description	Remark
		< CONNECTOR >					
* CN015	1-573-044-11	SOCKET, CONNECTOR 5P		R1061	1-216-025-00	RES, CHIP 100 5% 1/10W	
		< DIODE >		R1062	1-216-025-00	RES, CHIP 100 5% 1/10W	
D002	8-719-938-07	LED GL480 (STABILIZER DETECT)		R1063	1-216-025-00	RES, CHIP 100 5% 1/10W	
		< IC >		R1064	1-216-025-00	RES, CHIP 100 5% 1/10W	
IC009	8-749-010-61	IC IS471F				< SWITCH >	
		< RESISTOR >		S1006	1-554-303-21	SWITCH, TACTILE (■)	
R099	1-249-403-11	CARBON 68 5% 1/4W		S1007	1-554-303-21	SWITCH, TACTILE (SACD/CD)	
*****				S1008	1-554-303-21	SWITCH, TACTILE (▷)	
	1-673-859-14	SW BOARD		S1009	1-554-303-21	SWITCH, TACTILE (■)	
		*****		S1010	1-554-303-21	SWITCH, TACTILE (▷▷I)	
		< SWITCH >		S1011	1-554-303-21	SWITCH, TACTILE (I<<I)	
S170	1-571-083-31	SWITCH, SLIDE (BALANCED OUT) (SCD-1)				MISCELLANEOUS	
S171	1-571-083-31	SWITCH, SLIDE (COMMAND MODE)				*****	
S173	1-571-083-31	SWITCH, SLIDE (STANDARD/CUSTOM)		104	1-790-587-11	WIRE (FLAT TYPE) (5 CORE)	
*****				252	1-790-659-11	WIRE (FLAT TYPE) (26 CORE)	
	1-673-862-13	SW-L BOARD		256	1-771-685-21	SWITCH, PUSH (CONTROL BLOCK) (WIRE)	
		*****		458	1-790-591-11	WIRE (FLAT TYPE) (14 CORE)	
		< CONNECTOR >		△468	8-820-005-02	OPTICAL PICK-UP KHS-180A/J1RP	
* CN1006	1-564-704-11	PIN, CONNECTOR (SMALL TYPE) 2P		469	1-665-390-11	OP-15 FLEXIBLE PRINT BOARD	
		< RESISTOR >		J150	1-568-918-31	JACK, PIN 1P (LINE OUT (ANALOG) L) (SCD-777ES)	
R1051	1-216-045-00	METAL CHIP 680 5% 1/10W		J150	1-568-918-31	JACK, PIN 1P (LINE OUT (ANALOG) UNBALANCED L) (SCD-1)	
R1052	1-216-049-11	RES, CHIP 1K 5% 1/10W		J170	1-563-030-21	CONNECTOR (RECEPTACLE) 3P (LINE OUT (ANALOG) BALANCED L) (SCD-1)	
R1053	1-216-053-00	METAL CHIP 1.5K 5% 1/10W		J250	1-568-918-31	JACK, PIN 1P (LINE OUT (ANALOG) UNBALANCED R) (SCD-1)	
R1054	1-216-061-00	METAL CHIP 3.3K 5% 1/10W		J250	1-568-918-41	JACK, PIN 1P (LINE OUT (ANALOG) R) (SCD-777ES)	
		< SWITCH >		J270	1-563-030-21	CONNECTOR (RECEPTACLE) 3P (LINE OUT (ANALOG) BALANCED R) (SCD-1)	
S1001	1-554-303-21	SWITCH, TACTILE (≡)		M1	A-4672-674-A	MOTOR ASSY (LOADING)	
S1002	1-554-303-21	SWITCH, TACTILE (TIME)		M2	X-4952-147-1	SLED MOTOR ASSY	
S1003	1-554-303-21	SWITCH, TACTILE (TEXT)		M3	X-4952-148-1	TILT MOTOR ASSY	
S1004	1-554-303-21	SWITCH, TACTILE (CD DIGITAL OUT)		M7	1-763-254-11	MOTOR (SPINDLE)	
S1005	1-554-303-21	SWITCH, TACTILE (CD FILTER)		S901	1-771-685-11	SWITCH, PUSH (CONTROL BLOCK)	
*****				△T401	1-435-108-11	TRANSFORMER, POWER (ANALOG) (SCD-777ES: AEP)	
	1-673-863-12	SW-R BOARD		△T401	1-435-110-11	TRANSFORMER, POWER (ANALOG) (SCD-777ES: US, Canadian)	
		*****		△T401	1-435-114-11	TRANSFORMER, POWER (ANALOG) (SCD-1: AEP)	
* 3-362-478-11	HOLDER (T), LED			△T401	1-435-116-11	TRANSFORMER, POWER (ANALOG) (SCD-1: US, Canadian)	
		< DIODE >		△T451	1-435-109-11	TRANSFORMER, POWER (DIGITAL) (SCD-777ES: AEP)	
D1001	8-719-301-44	LED SEL2410E-C-TP2 (SACD)		△T451	1-435-111-11	TRANSFORMER, POWER (DIGITAL) (SCD-777ES: US, Canadian)	
D1002	8-719-301-44	LED SEL2410E-C-TP2 (CD)		△T451	1-435-115-11	TRANSFORMER, POWER (DIGITAL) (SCD-1: AEP)	
D1003	8-719-301-44	LED SEL2410E-C-TP2 (▷)		△T451	1-435-117-11	TRANSFORMER, POWER (DIGITAL) (SCD-1: US, Canadian)	
D1004	8-719-301-60	LED SEL2910A-C-TP2 (■)		*****			
		< RESISTOR >		R1055	1-216-045-00	METAL CHIP 680 5% 1/10W	
R1055	1-216-045-00	METAL CHIP 680 5% 1/10W		R1056	1-216-049-11	RES, CHIP 1K 5% 1/10W	
R1056	1-216-049-11	RES, CHIP 1K 5% 1/10W		R1057	1-216-053-00	METAL CHIP 1.5K 5% 1/10W	
R1057	1-216-053-00	METAL CHIP 1.5K 5% 1/10W		R1058	1-216-061-00	METAL CHIP 3.3K 5% 1/10W	
R1058	1-216-061-00	METAL CHIP 3.3K 5% 1/10W		R1059	1-216-065-00	RES, CHIP 4.7K 5% 1/10W	
R1059	1-216-065-00	RES, CHIP 4.7K 5% 1/10W					

<p>The components identified by mark △ or dotted line with mark △ are critical for safety. Replace only with part number specified.</p>	<p>Les composants identifiés par une marque △ sont critiques pour la sécurité. Ne les remplacer que par une pièce portant le numéro spécifié.</p>
---	---

SCD-1/777ES

Ref. No.	Part No.	Description	Remark
		***** HARDWARE LIST *****	
#1	7-685-880-04	SCREW +BVTT 4X6 (S)	
#2	7-682-361-04	SCREW +RK 4X8 (SCD-1, SCD-777ES: GOLD)	
#2	7-682-261-09	SCREW +RK 4X8 (SCD-777ES: BLACK)	
#3	7-685-645-79	SCREW +BVTP 3X6 TYPE2 SLIT	
#4	7-685-873-09	SCREW +BVTT 3X10 (S)	
#5	7-628-253-90	SCREW +PS 2.6X4	
#6	7-621-775-10	SCREW +B 2.6X4	
#7	7-627-556-17	SCREW, PRECISION +P 2.6X3 TYPE1	
#8	7-682-544-09	SCREW +B 3X3	
#9	7-682-245-09	SCREW +K 3X4	
#10	7-682-546-04	SCREW +B 3X5	
#11	7-685-871-01	SCREW +BVTT 3X6 (S)	
#12	7-621-773-95	SCREW +B 2.6X6	
#13	7-682-663-09	SCREW +PS 4X12 (SCD-1)	
#13	7-685-883-09	SCREW +BVTT 4X12 (S) (SCD-777ES)	
#14	7-685-646-79	SCREW +BVTP 3X8 TYPE2 N-S	
#15	7-684-024-04	N 4, TYPE 2	
#16	7-623-423-07	LW 4, TYPE B	
#17	7-682-548-09	SCREW (3X8)	
#18	7-685-659-14	SCREW +BVTP 4X8 TYPE2 N-S (SCD-1)	
#18	7-685-659-79	SCREW +BVTP 4X8 TYPE2 N-S (SCD-777ES)	
#19	7-682-962-01	SCREW +PSW 4X10 (SCD-1)	
#19	7-682-962-09	SCREW +PSW 4X10 (SCD-777ES)	
#20	7-685-133-19	SCREW +P 2.6X6 TYPE2 NON-SLIT	
#21	7-685-645-14	SCREW +BVTP 3X6 TYPE2 N-S	
#22	7-621-775-20	SCREW +B 2.6X5	
#23	7-682-247-09	SCREW +K 3X6	
#25	7-682-564-09	SCREW +B 4X14	
* #26	7-683-421-04	BOLT, HEXAGON SOCKET 4X12	
#27	7-682-546-09	SCREW +B 3X5	
#29	7-682-549-09	SCREW +B 3X10	
#30	7-627-854-07	PRECISION SCREW +P 2X2.5 TYPE3	
#31	7-627-556-98	SCREW, PRECISION +P 2.6X8 TYPE1	
#32	7-682-646-09	SCREW +PS 3X5	
#33	7-627-556-37	SCREW, PRECISION +P 2.6X4 TYPE 1	
#34	7-682-949-01	SCREW +PSW 3X10	
#36	7-685-880-09	SCREW +BVTT 4X6 (S)	
#37	7-685-886-09	SCREW +BVTT 4X20 (S)	
#38	7-682-649-09	SCREW +PS 3X10	
#40	7-683-435-04	BOLT, HEXAGON SOCKET 5X10 (SCD-777ES: BLACK)	
* #41	7-683-419-04	BOLT, HEXAGON SOCKET 4X8 (SCD-777ES: BLACK)	

ACCESSORIES & PACKING MATERIALS

- 1-418-347-11 REMOTE COMMANDER (RMD-DS1)
- 1-506-411-21 ADAPTOR, AC PLUG 3P-2P (US, Canadian)
- 1-551-631-22 CORD, POWER (AEP)
- 1-551-812-11 CORD, POWER (US, Canadian)
- 1-558-271-11 CORD, CONNECTION

- 3-865-537-11 MANUAL, INSTRUCTION (ENGLISH, FRENCH)
(SCD-1)
- 3-865-537-21 MANUAL, INSTRUCTION (GERMAN, SPANISH,
DUTCH) (SCD-1: AEP)

Ref. No.	Part No.	Description	Remark
	3-865-537-31	MANUAL, INSTRUCTION (SWEDISH, ITALIAN, PORTUGUESE) (SCD-1: AEP)	
	3-868-032-11	MANUAL, INSTRUCTION (ENGLISH, FRENCH) (SCD-777ES)	
	3-868-032-21	MANUAL, INSTRUCTION (GERMAN, SPANISH, DUTCH) (SCD-777ES: AEP)	
	3-868-032-31	MANUAL, INSTRUCTION (SWEDISH, ITALIAN, PORTUGUESE) (SCD-777ES: AEP)	
	4-214-892-01	COVER, BATTERY (for RMD-DS1)	
	A-4672-800-A	STABILIZER ASSY	